

Product/Process Change Notice (PCN)



- Major change
 Minor change

PCN #: PCN_WE-RJ45LAN_20160120

Product Affected: WE-RJ45 LAN

PCN Date: 2016-01-20

Effective Date: 2016-04-20

Contact: Product Management

Phone: +49 (0) 7942 - 945 5001

Fax: +49 (0) 7942 - 945 5179

E-mail: pcn.eisos@we-online.de

- Product Mark
 Date Code
 Packaging
 Others

Attachment: Yes No

DESCRIPTION AND PURPOSE OF CHANGE:

In order to enhance the product reliability, Würth Elektronik will change the shape of the contact spring.

Affected part numbers are:

-7498010210A

-74980111211

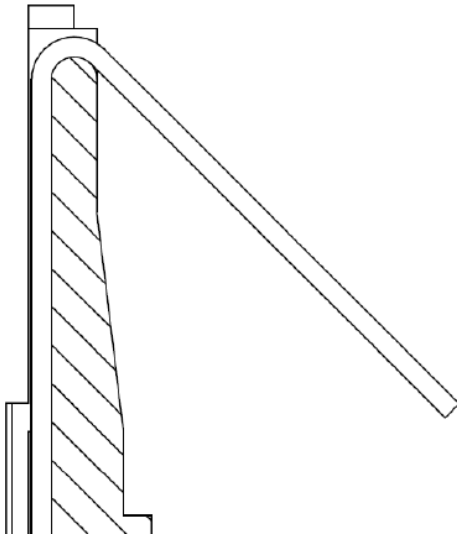
-S13100018

There is no change in fit, function and quality of the product.

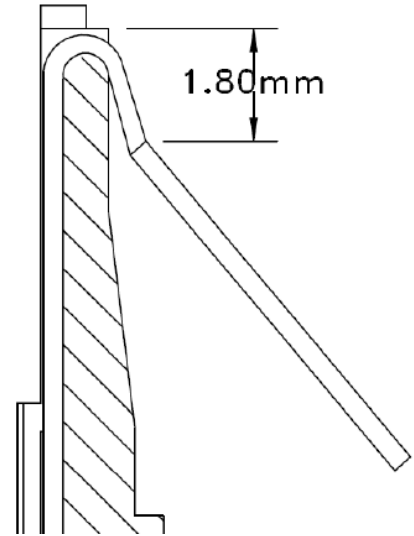
DETAIL OF CHANGE:

An angle will be added at the inner contact spring. Due to the angle-shape, the lateral buckling of the contact spring will be reduced when inserting the plug. As a result the angle improves the contact spring reliability.

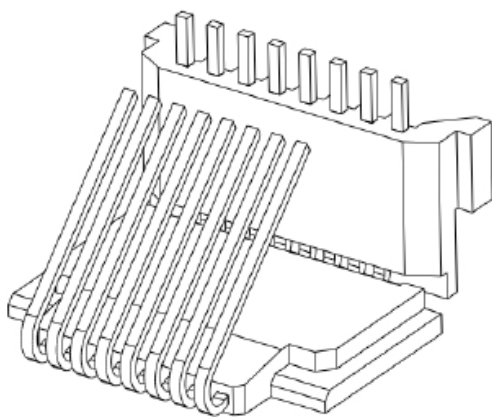
OLD:



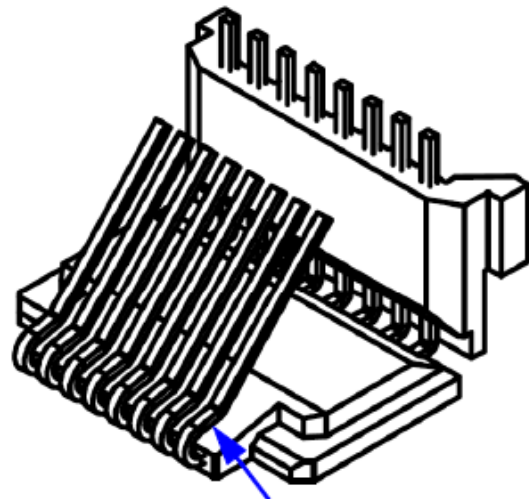
NEW



OLD:



NEW



RELIABILITY / QUALIFICATION SUMMARY:

- Insertion/Withdrawal Force test regarding EIA-364-13D
- Mating Cycle test regarding EIA-364-9C
- Extremity Plug Interposition test regarding internal Wurth standards

DATA SHEET CHANGE:

Yes

No

Würth Elektronik eiSos GmbH & Co. KG

D-74638 Waldenburg · Max-Eyth-Strasse 1 - 3 Germany · Telefon (+49) (0) 7942 - 945 - 0 Telefax (+49) (0) 7942 - 945 - 5000