



002

PCB TERMINAL  
BLOCKS

081

TERMINAL STRIPS

095

WIRE TO BOARD  
CONNECTORS

100

CIRCULAR  
CONNECTORS

151



IP68 CONNECTORS

158

INTERFACE  
MODULES AND  
RELAY BASES

# 5mm pitch low profile 90° screw terminal blocks

## Product overview

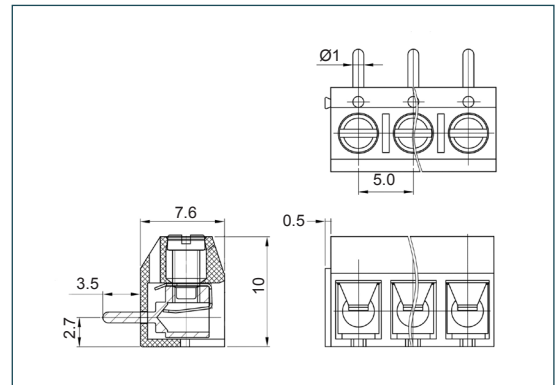
- 2 and 3 pole interlocking
- Wire protector terminals
- Low profile 90° mounting
- Moulded in UL94-V0 flame retardant PA66
- Cable acceptance - 0.6-1.6mm<sup>2</sup> (22-14AWG)
- Guided pin alignment
- Test probe facility
- Anti solder wicking terminal
-   approved

CTBP5050



SPECIFICATION	
Rating	UL=16A/250V, VDE=24A/250V
Insulation resistance	500M Ω/500V
Withstand voltage	AC2000V/1min
Contact resistance	20mΩ (max)
Working temperature	-40°C to +105°C
Moulding	UL94-V0 flame retardant PA66
Pin/terminal	Tin plated brass
Wire protector	Phosphor bronze, nickel plated
Screw/torque	M2.5 steel, zinc plated 0.4Nm
Recommended PCB hole size	ø1.2mm

PART NO.	POLES	LENGTH
CTBP5050/2	2	10mm
CTBP5050/3	3	15mm
CTBP5050/4	4	20mm
CTBP5050/5	5	25mm
CTBP5050/6	6	30mm
CTBP5050/7	7	35mm
CTBP5050/8	8	40mm
CTBP5050/9	9	45mm
CTBP5050/10	10	50mm
CTBP5050/11	11	55mm
CTBP5050/12	12	60mm



## KEY FEATURES

Wire protector terminals | Interlock mechanism | 90 Degree orientation

