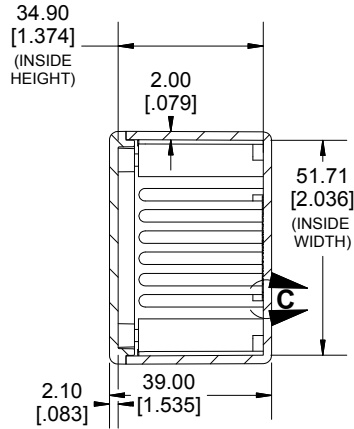
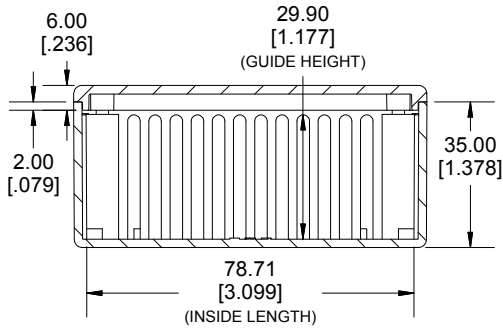
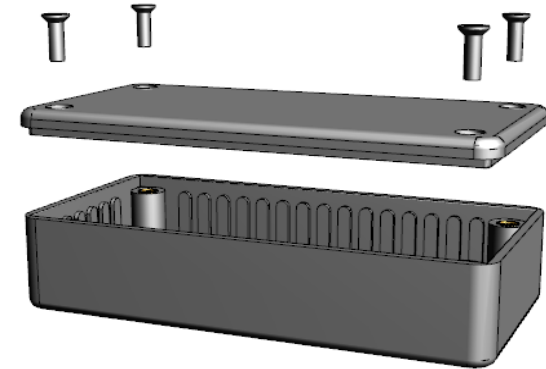


**TOP VIEW**

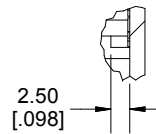


**SECTION A-A**

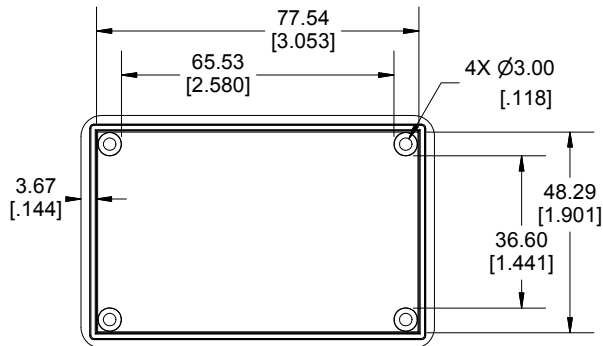
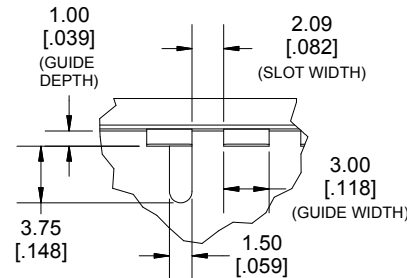


**SECTION B-B  
SIDE VIEW**

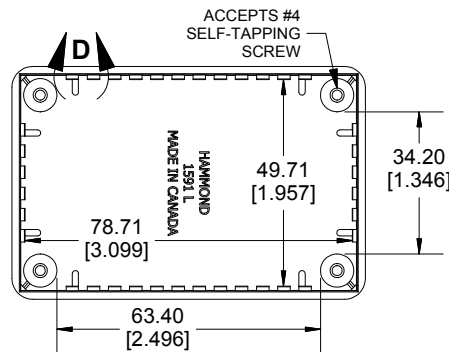
**DETAIL C**



**DETAIL D**



**INSIDE LID**



**INSIDE BOX**

Enclosures can be Factory Modified ( Milling, Drilling, Printing etc.)  
Contact Factory [mjm@hammondmfg.com](mailto:mjm@hammondmfg.com) for quotes  
Solid models of this enclosure available in STEP or IGES.

<b>NOTE</b>	
Purchased assembly includes box, lid and 4 cover screws Enclosure made from GPABS.	
<b>Recommended Torque: 42-57 ozf.in (30-40 cN.m)</b>	
<b>PART NUMBERS</b>	
1591L Enclosure	
General Purpose ABS Black	1591LSBK
General Purpose ABS Grey	1591LSGY
Accessories	
Plated Cover screw	1591TS100 (Silver)
#4 X 1/2" (100Pkg) Self-Tapping	1591TS100BK (Black)
PC Board Card Adapters	1591Z6 (6Pkg)
	1591Z50 (50 Pkg)
	1591Z100 (100Pkg)
Nylon Belt / Pocket clip	1599CLIP (Black)
	1599CLIPGY (Grey)
Clear Lids - Flame Retardant Polycarbonate - Lid ONLY	1591LC

Dimensions:  
mm  
[inches]

