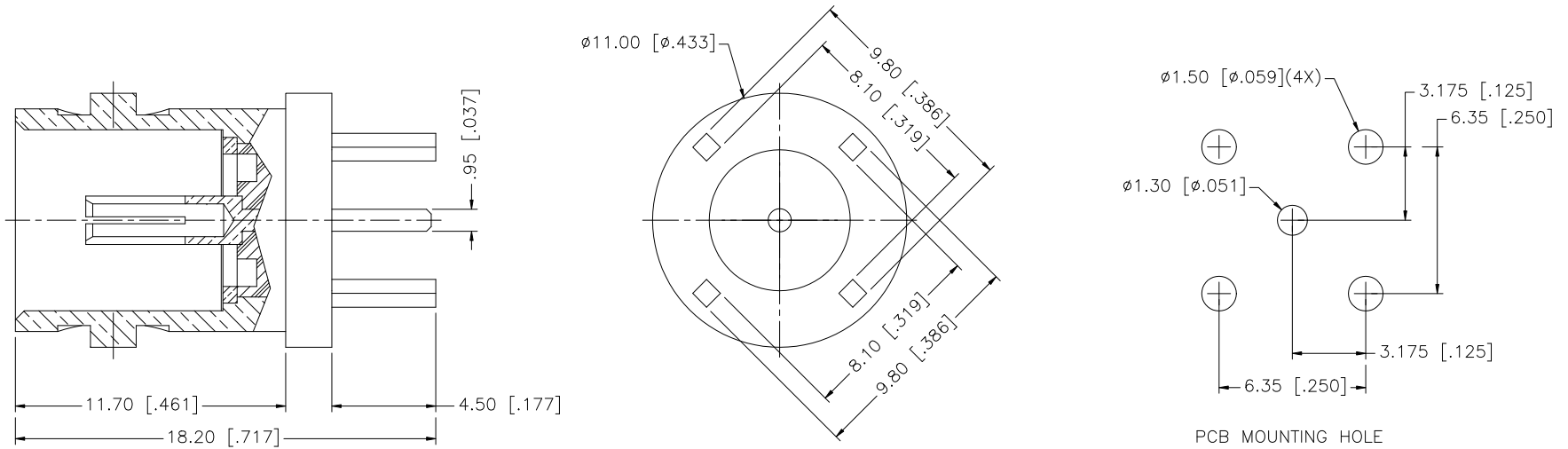


REV.	DATE	ECR NO.	DESCRIPTION
A	04/05/03	-	UPDATE DRAWING FORMAT
B	06/12/08	100030	ADD BODY CROSS SECTION



8					UNLESS OTHERWISE SPECIFIED DIMENSIONS ARE IN MILLIMETERS. DIMENSIONS IN [] ARE IN INCHES AND FOR CUSTOMER REFERENCE ONLY.	APPROVALS	DATE	<h1 style="color: blue; text-align: center;">Amphenol Connex</h1>						
7						DRAWN	GRS					06/12/08		
6					UNLESS OTHERWISE SPECIFIED TOLERANCES FOR MILLIMETERS ARE: 0.5 - 8mm ± 0.20mm 8 - 30mm ± 0.40mm 30 - 120mm ± 0.50mm	CHECKED		PART DESCRIPTION BNC STRAIGHT P.C.B. RECEPT. JACK (4 POST - 75 ohm)						
5						ISSUED								
4	LOCK RING	BRASS	NICKEL	1	UNLESS OTHERWISE SPECIFIED TOLERANCES FOR INCHES ARE: .020 - .315 = ± 0.007" .315 - 1.180 = ± 0.015" 1.180 - 4.724 = ± 0.020"	SHEET	1 OF 1	PART NO. 112405						
3	CONTACT PIN	PHOS. BRONZE	GOLD	1		CAD FILE	C:/112/112405.DWG					DWG. NO.	112405.DWG	REV.
2	INSULATOR	PTFE	NATURAL	1										
1	BODY	BRASS	NICKEL	1										
	DESCRIPTION	MATERIAL	FINISH	QTY	DO NOT SCALE DRAWING									