

## LSM-50M/NO-B (Artikel-Nr. 115135)

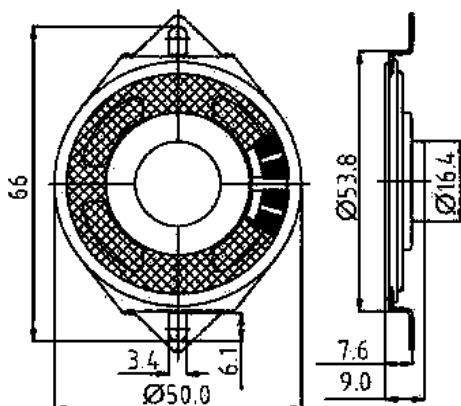
# EKULIT

### SPECIFICATIONS:

TYPE	UNIT	LSM-50M/NO-B
Impedance	$\Omega$	$8 \pm 15\%$
Power (Nominal)	W	0.5
Power (Maximum)	W	1.0
Resonant Frequency	Hz	$320 \pm 20\%$
Sound Pressure Level	dB	$87 \pm 3$
Frequency Range	Hz	Fo~20.000
Operating Temperature	$^{\circ}\text{C}$	-20~+60
Storage Temperature	$^{\circ}\text{C}$	-30~+70

### DIMENSIONS :

(Unit: mm)



### Picture:



### Frequency response:

