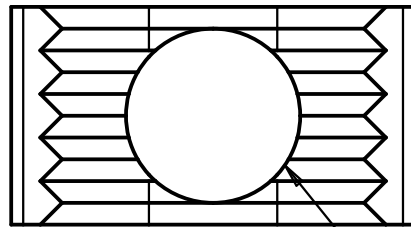


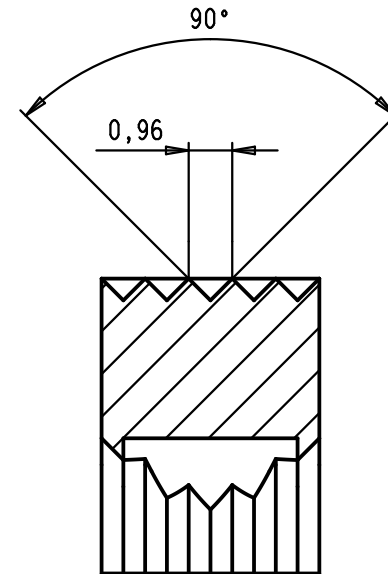
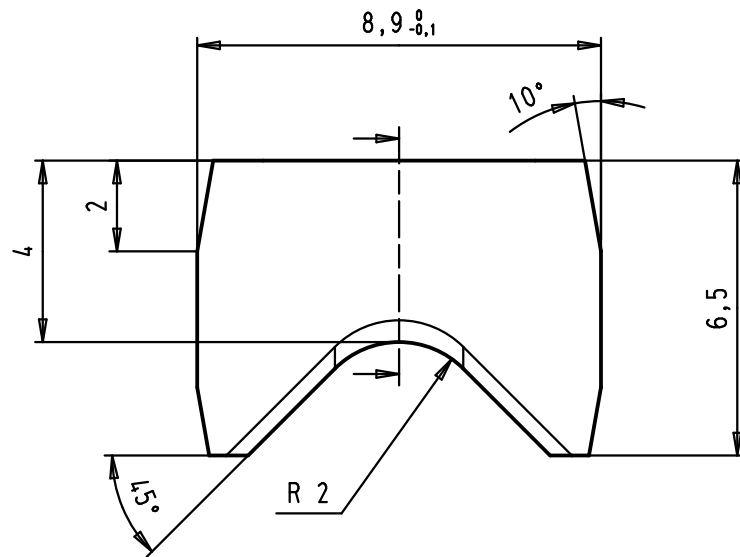
1 2 3 4 5 6

A



Location of ejector pin

B





C

Insert to be used for hoods with part numbers 09 67 0XX 0425 and 09 67 0XX 0435 (XX = 09 or 15 poles)

D



|         |          |      |                               |          |      |   |   |                   |
|---------|----------|------|-------------------------------|----------|------|---|---|-------------------|
|         |          |      |                               | Dot.     | Name | <br>All Dim. in mm<br>Orig. Size DIN A 4 | Metallized insert<br>for D-Sub hoods<br>9 to 15 poles | Moßstab/<br>Scale |
|         |          |      | Detail.                       | 09/10/09 | PK   |   |   | 6:1               |
|         |          |      | Insp.                         |          |      |   |   |                   |
|         |          |      | Stand.                        |          |      |   |   |                   |
| EC00871 | 19/10/09 | PK   | HARTING EURL<br>F-95972 Paris |          |      |    | TB 09 67 002 9103                                     | Blatt/ Page       |
| Mod.    | Dot.     | Name |                               |          |      |   | Sub.  | 1 / 1             |