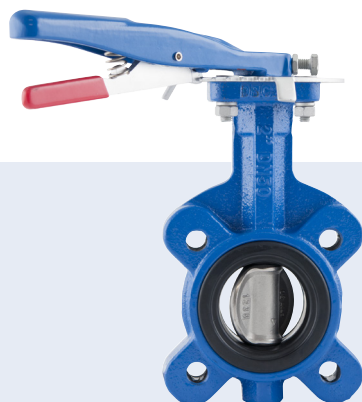


## 2671 centric type



### Butterfly Valve, rubber seated

- Pressure rating: bidirectional shut-off (150 PSI standard, 230 PSI optional)
- ISO 5211 direct actuator mount
- Wafer, lug, and flange mount
- Range of body, disc, and seat options

Type 2671 can be combined with...



**Type 6519 NAMUR**

Pilot valve, direct mount to actuator



**Type 2051**

Pneumatic rotary actuator



**Type 3003**

Electric rotary actuator



**Type 3004**

Electric explosion proof actuator



**Type 3005**

Electric rotary actuator



**Type 8792**

Positioner

The Burkert Centric type butterfly valve has many configurations available to meet a wide range of applications. The 2671 Centric type is automation ready with an ISO 5211 mounting pad and stem for direct coupling of the actuator. A full range of actuators, pilot valves, digital positioners, feedback switches and bus network options are available for integration in plant process control systems.

Technical data	
<b>Valve size</b>	1 1/2"-40" (wafer), 1 1/2"-24" (lug), 14"-48" (flanged)
<b>Body materials</b>	Cast iron, ductile iron, stainless steel, alu-bronze
Disc material	Ductile iron (Nylon 11 Coated), stainless steel (304 SS, 316 SS)
Seat material	NBR, EPDM, EPT, neoprene, silicon, CSM, FKM
Stem material	410 SS, 604 SS, 316 SS
<b>Media</b>	Compatible with the materials of construction, and the pressure, temperature limits of the seals and disc
<b>Media temperature</b>	-4°F to 400°F based on valve seat limit
<b>Connections</b>	Wafer, lug, flange
<b>Installation</b>	As required
<b>Pressure rating</b>	Bidirectional bubble-tight shut-off to 150 PSI, 230 PSI (optional)

## Technical data (continued)

---

### Face to face:

Valve body are designed to meet ISO 5752 table 5 short.

### Top works:

24" and below, valve mounting flange and stem shall be per ISO 5211.

28" and above, valve mounting flange per ISO 5211, stem shall be round keyed.

### Flange requirement:

*Wafer style, lug style:* ANSI 125/150. BS Table E. JIS 10K. DIN PN10. DIN PN16.

All wafers have locating holes for ease of installation.

*Flange style:* ANSI 150. JIS10K. DIN PN10. DIN PN16

### Pressure rating:

Bi-directional bubble-tight shut off to	230 PSI – 1 1/2" to 24"
	150 PSI – 26" to 40"

and tested to 110% of full rating	260 PSI – 1 1/2" to 24"
	160 PSI – 26" to 40"

### Shell testing:

The body strength can stand 150% of full rating.

340 PSI – 1 1/2" to 24"
220 PSI – 26" to 40"

### Installation instructions:

The valve is designed for using between all types of flat or raised face flanges. DO NOT USE FLANGE GASKETS. The butterfly valve design eliminates the need for gaskets. For proper installation, the space between flanges must be sufficient to permit valve insertion without disturbing the rubber liner flange seal. Note that the disc sealing edge is in line with the flat of the shaft. Rotate the stem to position the disc within the body, place the valve between flanges and hand-tighten the bolts. SLOWLY OPEN the valve counterclockwise to check for adequate disc clearance. RETURN THE DISC TO 10% OPEN POSITION and cross tighten all bolts, again check for adequate disc clearance.

### Stem retaining mechanism:

The stem is retained in the body by means of a special "Q" type design when the valve size is under 14", and hence the stem can be removed from the body and disc without any special tools.

\*Unless you do intend to disassemble the valve, otherwise do not position the disc around 135°

### Anti-Condensed:

(On customer's requirement)

Cv values – valve sizing coefficient

Size		Disc angle (open degree)								
mm	inch	10°	20°	30°	40°	50°	60°	70°	80°	90°
40	1½"	0.8	2.8	8.0	16.6	25	42	69	94	132
50	2"	1.2	4.4	11.9	25	44	70	117	154	225
65	2½"	2.3	8.7	21	40	71	111	218	280	368
80	3"	2.9	11.4	30	56	97	147	250	395	497
100	4"	4.4	17.0	45	84	139	258	422	709	845
125	5"	7.6	28	72	138	253	460	700	1214	1454
150	6"	11.7	47	111	204	381	634	1021	1474	2175
200	8"	22	74	193	358	670	1164	1833	2702	3655
250	10"	32	118	286	527	978	1710	2636	3809	5565
300	12"	39	150	365	719	1330	2486	3800	5839	8257
350	14"	54	190	456	930	1752	3010	4656	6726	9733
400	16"	72	270	594	1260	2308	3955	6300	9475	13405
450	18"	87	299	726	1413	2708	4592	7407	11084	15926
500	20"	120	404	1005	1979	3610	6257	9960	15337	21935
550	22"	146	489	1215	2394	4368	7571	12051	18557	26541
600	24"	162	577	1349	2795	5225	8846	13975	21162	29503
650	26"	190	677	1583	3280	6131	10381	16401	24836	34626
700	28"	223	771	1958	3772	7008	12471	20407	29476	43080
750	30"	237	819	2079	4001	7434	13229	21648	31270	45702
800	32"	300	1138	2693	5303	9634	16523	26934	36987	53814
900	36"	384	1466	3451	6858	12647	21275	34814	50184	71421
950	38"	538	2024	4703	8400	14238	23166	38013	57704	72715
1000	40"	596	2245	5213	9308	15787	25668	42120	63939	80582
1050	42"	657	2475	5748	10262	17406	28299	46437	70493	88842
1100	44"	721	2716	6308	11263	19103	31058	50965	77366	97505
1200	48"	858	3232	7507	13404	22734	36962	60652	92073	116039

Cv value denotes the flow rate in M<sup>3</sup>/hr for water at 68°F (20°C) flowing under a pressure differential 1Kg/cm<sup>2</sup>.

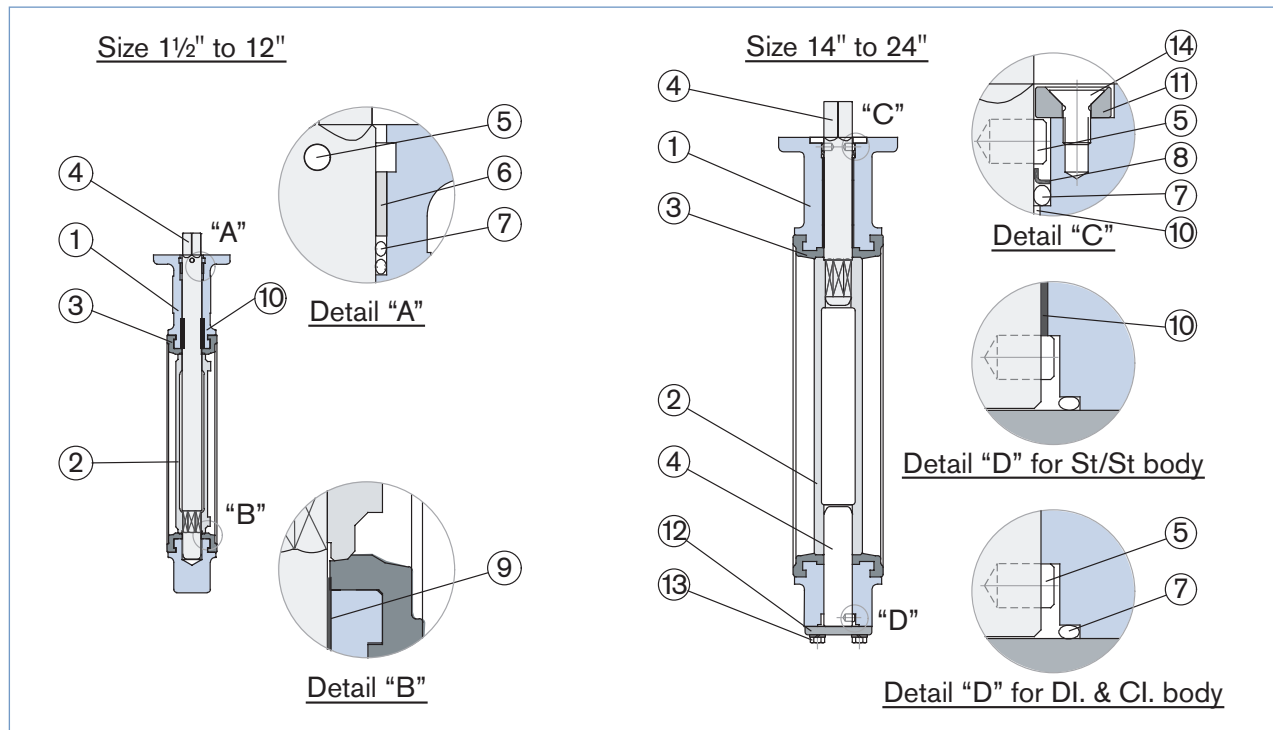
Expected seating/unseating torque (Nm) including 30% safety factor

Size		Lubricating (non-corrosive) ΔP (PSI)				Dry (non-lubricating) ΔP (PSI)		
mm	inch	44	87	145	232	44	87	145
40	1½"	15	17	19	23	19	21	23
50	2"	15	17	19	23	19	21	23
65	2½"	18	20	22	26	22	24	27
80	3"	28	31	34	41	34	38	42
100	4"	37	41	45	54	45	50	56
125	5"	61	68	76	91	76	84	93
150	6"	116	127	140	154	126	138	152
200	8"	171	190	211	253	211	234	260
250	10"	275	306	340	408	340	378	420
300	12"	381	423	470	564	470	522	580
350	14"	545	605	672	–	672	747	830
400	16"	728	809	899	–	899	999	1110
450	18"	912	1013	1126	–	1126	1251	1390
500	20"	1135	1261	1401	–	1401	1557	1730
550	22"	1373	1525	1695	–	1695	1884	2093
600	24"	1325	1472	1636	–	1636	1818	2020
650	26"	1555	1727	1920	–	1920	2133	2370
700	28"	2339	2599	2888	–	2888	3209	3566
750	30"	2608	2898	3220	–	3220	3578	3975
800	32"	3008	3342	3713	–	3713	4125	4583
900	36"	3828	4253	4726	–	4726	5251	5834
950	38"	4415	4920	6616	–	5450	6050	7100
1000	40"	5090	5680	7620	–	6280	7010	9410
1050	42"	5611	6262	8401	–	6924	7728	10374
1100	44"	6158	6872	9262	–	7599	8481	11385
1200	48"	7328	8178	11022	–	9043	10093	13548

To use the torque chart, note the following:

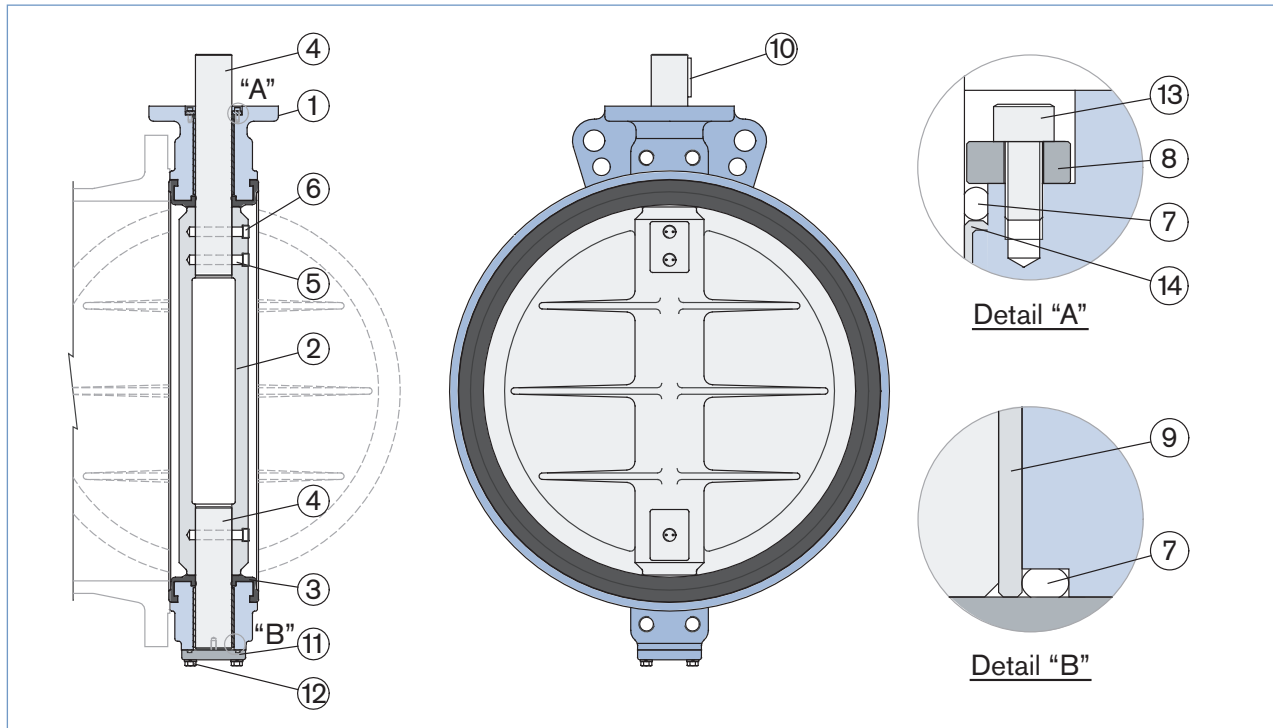
- 1) Seating/Unseating torque values above included friction bearing torque for stated ΔP.
- 2) Do not apply a safety factor to above torque values when determining actuator output torque requirement.

Materials – sizes 1½" to 24"



Item	Part name	Materials	Specifications		Comments
			JIS	ASTM	
1	Body	Cast iron	FC 200	A126 Cl. B	1½" to 24"
		Ductile iron	FCD 400	A395	1½" to 24"
		Stainless steel	SCS 13A	A351 Gr. CF8	14" to 24"
			SCS 14A	A351 Gr. CF8M	14" to 24"
2	Disc	Ductile iron	FCD 400	A395	Nylon 11 coated
		Stainless steel	SCS 13A	A351 Gr. CF8	
			SCS 14A	A351 Gr. CF8M	
		Alu-bronze	ALBC2	B148 C95400	
3	Seat	NBR (Nitrile)	-	-	14°F to 176°F (-10°C to 80°C)
		EPDM	-	-	-4°F to 248°F (-20°C to 120°C)
		EPT	-	-	-4°F to 284°F (-20°C to 140°C)
		Neoprene (CR)	-	-	32°F to 176°F (0°C to 80°C)
		Silicon	-	-	-4°F to 356°F (-20°C to 180°C)
		CSM	-	-	-4°F to 275°F (-20°C to 135°C)
		FKM	-	-	-0.4°F to 400°F (-18°C to 204°C)
4	Stem	Stainless steel	SUS 410	A182 Gr. F6A	
			SUS 304	A182 Gr. F304	
			SUS 316	A182 Gr. F316	
5	Pin	Stainless steel	SUS 304	A182 Gr. F304	
6	Bush	Delrin	-	-	
7	O-ring	NBR (Nitrile)	-	-	
8	Thrust ring	Stainless steel	SUS 304	A240 Gr. 304	
9	Bush	Bronze	BC6	B62	For cast iron and ductile iron body
10	Bush	RPTFE+Stainless steel	RPTFE+SUS316	RPTFE+A240 Gr. 316	
11	Upper cover	Cast iron	FC 200	A126 Cl. B	For cast iron and ductile iron body
		Stainless steel	SUS 304	A240 304	For stainless steel body
12	Bottom cover	Cast iron	FC 200	A126-B	For cast iron and ductile iron body
		Stainless steel	SCS 13A	A351 Gr. CF8	For stainless steel body
13	Bolt	Steel	-	-	
14	Bolt	Steel	-	-	

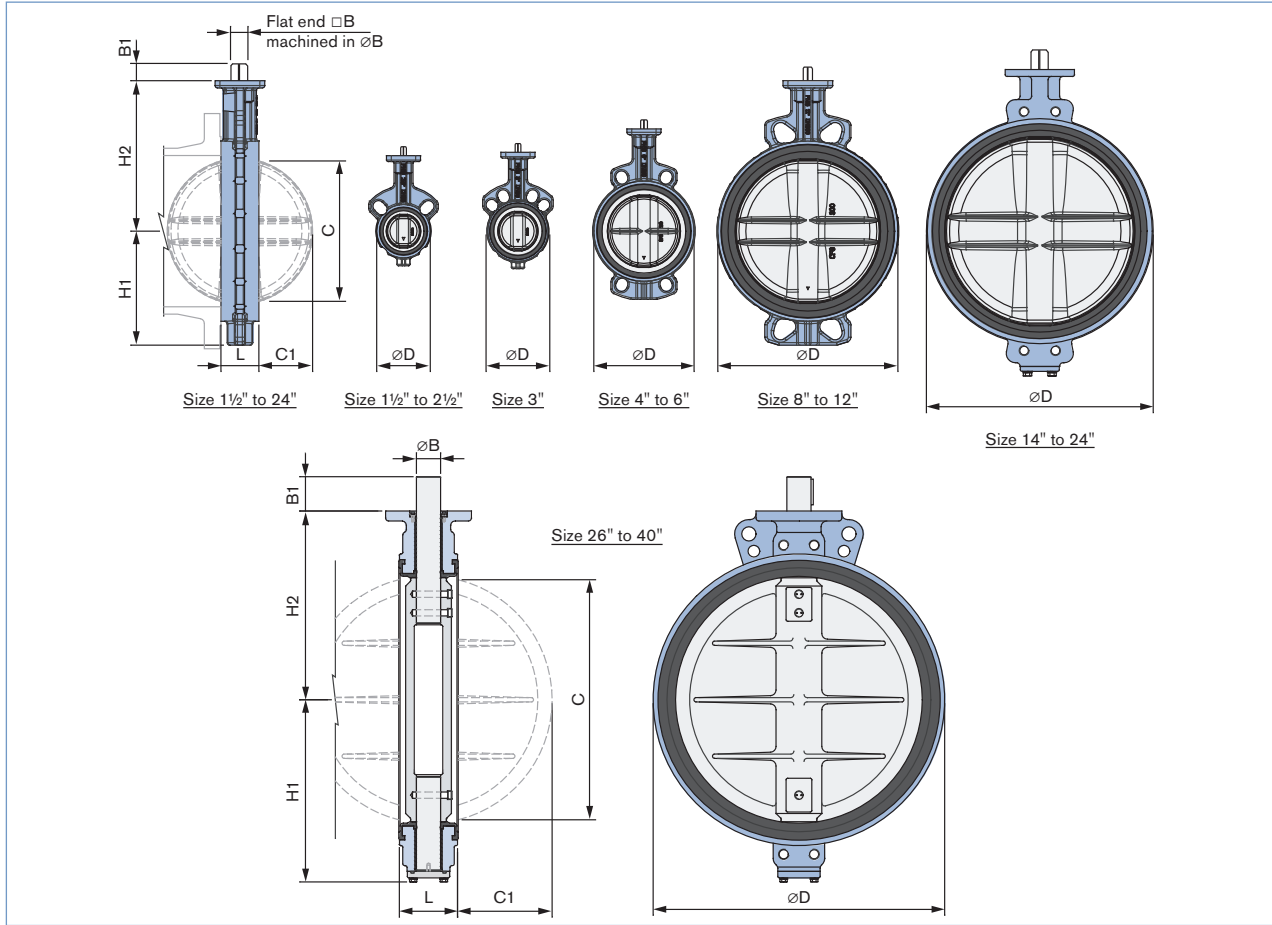
Materials – sizes 26" to 48"



Item	Part name	Materials	Specifications		Comments
			JIS	ASTM	
1	Body	Ductile iron	FCD 400	A395	Wafer (26" to 36"), flange (26" to 48")
		Stainless steel	SCS 13A	A351 Gr. CF8	Wafer (26" to 36"), flange (26" to 48")
			SCS 14A	A351 Gr. CF8M	Wafer (26" to 36"), flange (26" to 48")
2	Disc	Ductile iron	FCD 400	A395	Nylon 11 coated
		Stainless steel	SCS 13A	A351 Gr. CF8	
			SCS 14A	A351 Gr. CF8M	
3	Seat	NBR (Nitrile)	-	-	14°F to 176°F (-10°C to 80°C)
		EPDM	-	-	-4°F to 248°F (-20°C to 120°C)
		EPT	-	-	-4°F to 284°F (-20°C to 140°C)
		Neoprene (CR)	-	-	32°F to 176°F (0°C to 80°C)
		Silicon	-	-	-4°F to 356°F (-20°C to 180°C)
		CSM	-	-	-4°F to 275°F (-20°C to 135°C)
		FKM	-	-	-0.4°F to 400°F (-18°C to 204°C)
4	Stem	Stainless steel	SUS 410	A182 Gr. F6A	
			SUS 304	A182 Gr. F304	
			SUS 316	A182 Gr. F316	
5	Pin	Stainless steel	SUS 316	A182 Gr. F304	
6	Plug	Stainless steel	-	-	
7	O-ring	NBR (Nitrile)	-	-	
8	Upper cover	Steel	SS400	A36	For cast iron and ductile iron body
		Stainless steel	SUS 304	A240 Gr. 304	For stainless steel body
9	Bush	Bronze	BC6	B62	For cast iron and ductile iron body
		RPTFE+Stainless steel	RPTFE+SUS316	RPTFE+A240 Gr. 316	For stainless steel body
10	Key	Steel	-	-	
11	Bottom cover	Cast iron	FC 200	A126 Cl. B	For cast iron and ductile iron body
		Stainless steel	SCS 13A	A351 Gr. CF8	For stainless steel body
12	Bolt	Steel	-	-	
13	Bolt	Steel	-	-	
14	Bushing	PTFE+316 SS	-	-	

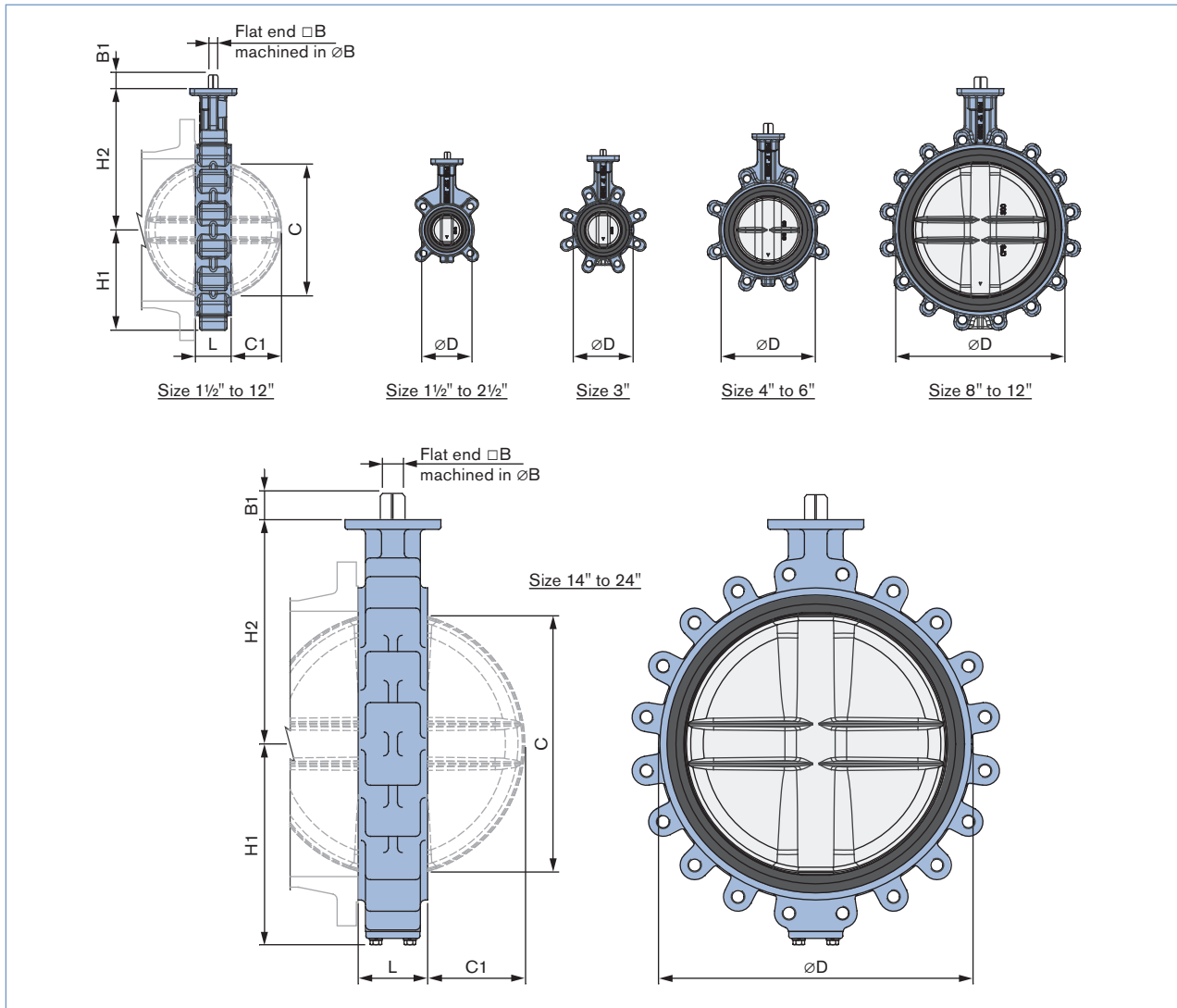
**2671**  
**centric type**

**Dimensions – wafer type, sizes 1 1/2" to 36" [mm]**



Size		Face to face				Mounting flange (ISO 5211)		Shaft end			Key	Disc clearance		Weight lb.
mm	inch	L	H1	H2	D	Type	PCD	∅B	□B	B1		C	C1	
40	1 1/2"	33	60	120	81	F07	70	14	11	19	–	34	7	4.4
50	2"	43	65	143	96	F07	70	14	11	19	–	39	8	6.6
65	2 1/2"	46	71	155	110	F07	70	14	11	19	–	55	13	8.3
80	3"	46	77	162	124	F07	70	14	11	19	–	69	19	8.8
100	4"	52	107	181	148	F07	70	14	11	19	–	91	27	11.6
125	5"	56	122	197	180	F07	70	18	14	19	–	115	36	16.0
150	6"	56	150	210	206	F07	70	18	14	19	–	140	47	18.0
200	8"	60	165	240	259	F10	102	22	17	24	–	186	68	29.7
250	10"	68	201	286	320	F10	102	25	19	24	–	239	90	46
300	12"	78	234	309	370	F10	102	28	22	24	–	288	111	71
350	14"	78	301	329	412	F12	125	35	27	29	–	325	128	105
400	16"	102	333	361	475	F12	125	35	27	29	–	375	143	132
450	18"	114	358	393	530	F14	140	48	36	38	–	423	162	176
500	20"	127	392	427	585	F14	140	48	36	38	–	473	182	275
550	22"	154	397	475	635	F14	140	50	36	38	–	507	186	286
600	24"	154	454	492	687	F16	165	60	46	48	–	560	214	440
650	26"	165	460	515	718	F16	165	65	–	90	18x12	606	230	427
700	28"	165	508	563	796	F16	165	70	–	110	20x12	655	255	548
750	30"	190	543	585	856	F25	254	75	–	110	18x12	692	264	696
800	32"	190	592	630	870	F25	254	80	–	110	24x16	736	285	804
900	36"	203	632	660	1003	F25	254	85	–	110	24x16	841	331	934
1000	40"	216	698	749	1090	F30	298	100	–	155	28x16	941	373	648

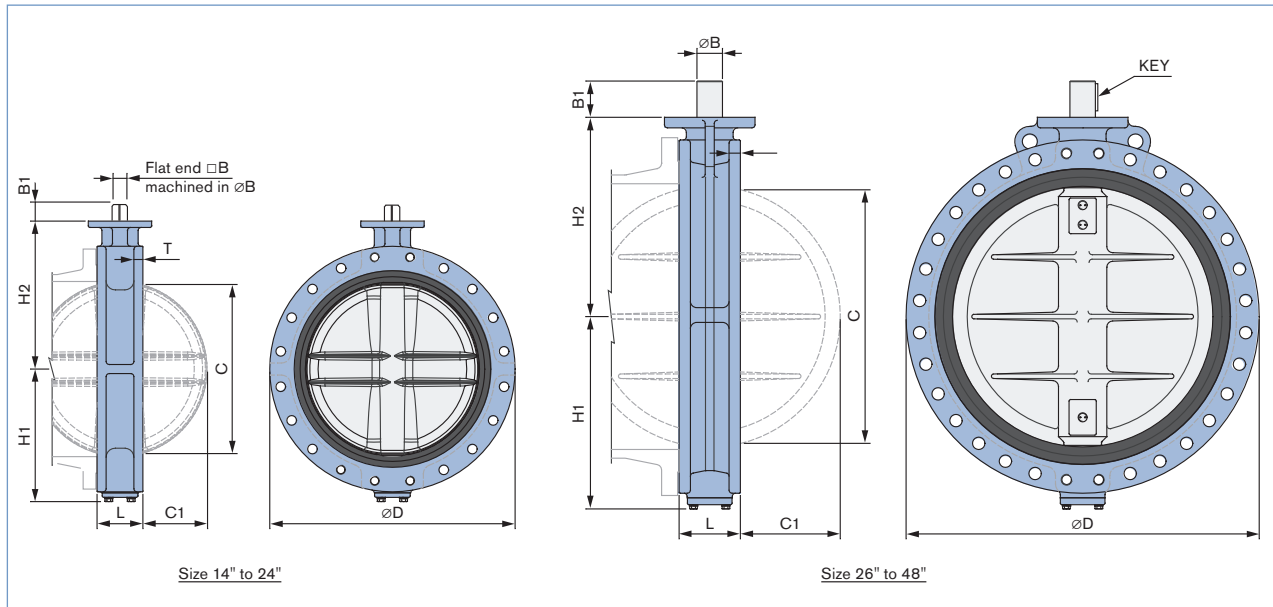
Dimensions – lug type, sizes 1½" to 24" [mm]



Size		Face to face		H2	D	Mounting flange (ISO 5211)		Flat shaft end			Disc clearance		Weight
mm	inch	L	H1			Type	PCD	ØB	□B	B1	C	C1	lb.
40	1½"	33	60	120	81	F07	70	14	11	19	34	7	4.8
50	2"	43	65	143	96	F07	70	14	11	19	39	8	7.4
65	2½"	46	71	155	110	F07	70	14	11	19	55	13	8.8
80	3"	46	77	162	124	F07	70	14	11	19	69	19	9.9
100	4"	52	89	181	148	F07	70	14	11	19	91	27	16.7
125	5"	56	112	197	180	F07	70	18	14	19	115	36	20.9
150	6"	56	123	210	206	F07	70	18	14	19	140	47	22.9
200	8"	60	150	240	259	F10	102	22	17	24	186	68	38.5
250	10"	68	179	286	320	F10	102	25	19	24	239	90	58
300	12"	78	216	309	370	F10	102	28	22	24	288	111	95
350	14"	78	301	329	412	F12	125	35	27	29	325	128	127
400	16"	102	333	361	475	F12	125	35	27	29	375	143	178
450	18"	114	358	393	530	F14	140	48	36	38	423	162	242
500	20"	127	392	427	585	F14	140	48	36	38	473	182	341
600	24"	154	454	492	687	F16	165	60	46	48	560	214	701



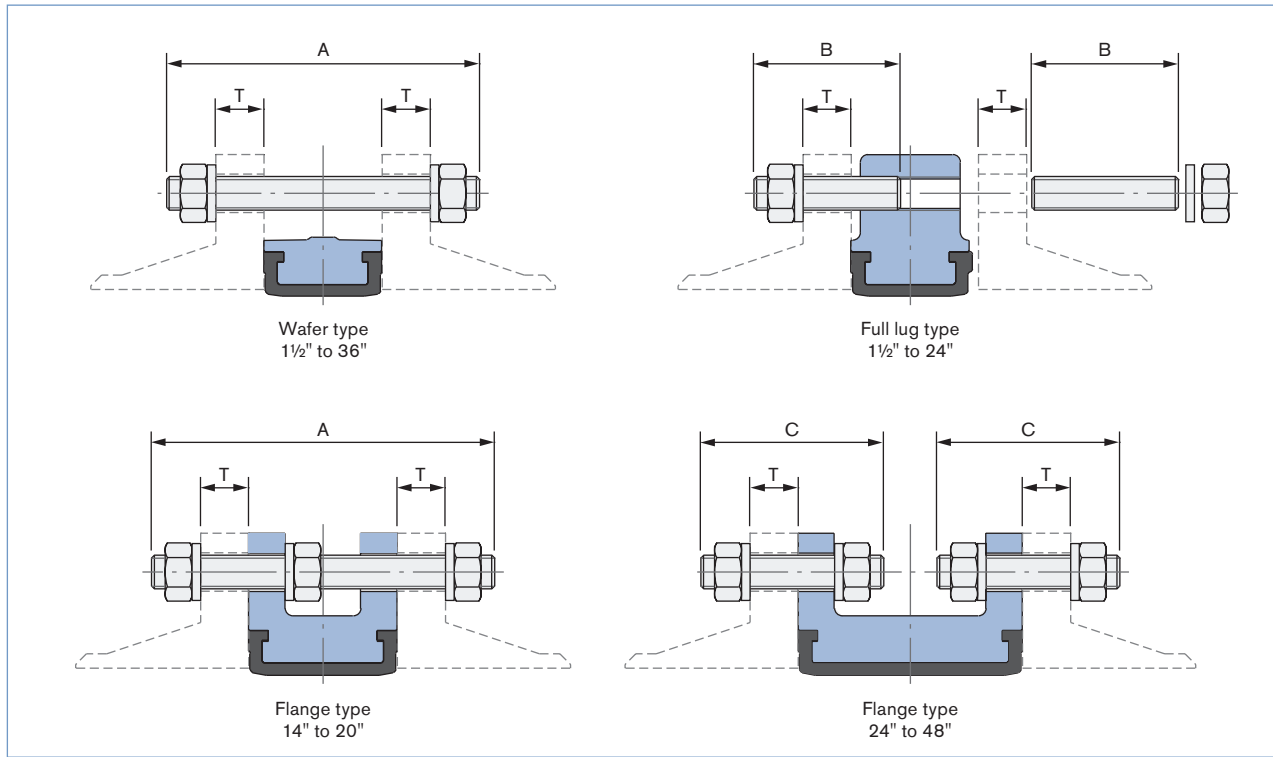
Dimensions – flange type, sizes 14" to 48" [mm]



DTS 1000185213 EN Version: H Status: RL (released | freigegeben | validé) printed: 26.03.2021

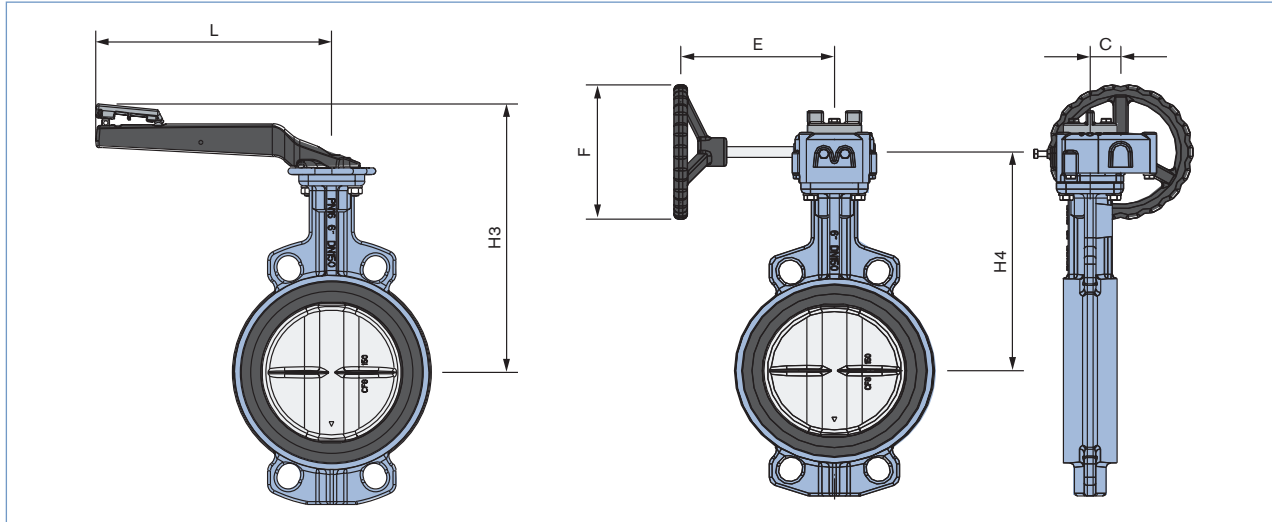
Size		Face to face	L	H1	H2	D	Mounting flange (ISO 5211)		Shaft end			Key	Disc clearance		Thick-ness of flange	Weight
mm	inch						Type	PCD	∅B	□B	B1		C	C1		
350	14"	78	303	329	535	F12	125	35	27	29	–	325	128	21	152	
400	16"	102	335	361	600	F12	125	35	27	29	–	375	143	22	209	
450	18"	114	363	393	648	F14	140	48	36	38	–	423	162	27	284	
500	20"	127	397	427	715	F14	140	50	36	38	–	473	182	30	354	
550	22"	154	426	475	762	F14	140	50	36	38	–	506	188	31	421	
600	24"	154	454	492	840	F16	165	60	46	48	–	560	214	36	546	
650	26"	165	460	515	870	F16	165	65	–	90	18x12	606	230	40	648	
700	28"	165	508	563	927	F16	165	70	–	110	18x12	655	255	40	725	
750	30"	190	543	585	997	F25	254	75	–	110	20x12	692	264	40	950	
800	32"	190	592	630	1060	F25	254	80	–	110	24x16	736	285	44	1117	
900	36"	203	632	660	1170	F25	254	85	–	110	24x16	841	331	46	1369	
950	38"	216	682	729	1238	F25	254	95	–	110	28x16	889	350	50	1653	
1000	40"	216	698	749	1289	F30	298	100	–	155	28x16	941	373	50	1785	
1050	42"	216	761	813	1340	F30	298	100	–	180	28x16	977	391	50	1893	
1100	44"	216	768.1	814	1403	F30	298	110	–	180	32x18	1024	414	50	2052	
1200	48"	254	813.6	870	1511	F30	298	110	–	180	32x18	1131	451	56	2559	

Bolting installation [mm]



Size		PN10					PN16					ASME B16.5 class 150 ASME B16.47 class 150 series A				JIS 10K					
mm	inch	Bolt size	A	B	C	T	Bolt size	A	B	C	T	Bolt size	A	B	C	T	Bolt size	A	B	C	T
40	1 1/2"	M16	115	35	-	18	M16	115	35	-	18	1/2"	105	35	-	18	M16	110	35	-	16
50	2"	M16	130	40	-	20	M16	130	40	-	20	5/8"	125	40	-	19	M16	120	40	-	16
65	2 1/2"	M16	130	45	-	20	M16	130	45	-	20	5/8"	135	45	-	22	M16	125	45	-	18
80	3"	M16	130	45	-	20	M16	130	45	-	20	5/8"	140	45	-	24	M16	125	45	-	18
100	4"	M16	140	50	-	22	M16	140	50	-	22	5/8"	145	50	-	24	M16	135	45	-	18
125	5"	M16	145	50	-	22	M16	145	50	-	22	3/4"	155	55	-	24	M20	145	55	-	20
150	6"	M20	160	55	-	24	M20	160	55	-	24	3/4"	160	55	-	25	M20	155	55	-	22
200	8"	M20	165	55	-	24	M20	160	55	-	24	3/4"	170	60	-	28	M20	160	55	-	22
250	10"	M20	175	60	-	26	M24	180	60	-	26	7/8"	185	65	-	30	M22	175	60	-	24
300	12"	M20	185	60	-	26	M24	195	70	-	28	7/8"	200	70	-	32	M22	185	60	-	24
350	14"	M20	185	60	-	26	M24	200	70	-	30	1"	215	75	-	35	M22	185	65	-	26
400	16"	M24	220	65	-	26	M27	235	80	-	32	1"	245	80	-	37	M24	225	70	-	28
450	18"	M24	235	70	-	28	M27	265	85	-	40	1 1/8"	265	85	-	40	M24	240	70	-	30
500	20"	M24	250	70	-	28	M30	290	100	-	44	1 1/8"	285	90	-	43	M24	250	70	-	30
600	24"	M27	295	80	100	34	M33	345	110	130	54	1 1/4"	330	100	120	48	M30	295	80	100	32
700	28"	M27	295	-	100	30	M33	325	-	120	38	1 1/4"	390	-	150	71	M30	310	-	110	34
750	30"	-	-	-	-	-	-	-	-	-	-	1 1/4"	420	-	150	75	M30	335	-	110	36
800	32"	M30	330	-	110	32	M36	355	-	120	38	1 1/2"	445	-	170	81	M30	335	-	110	36
900	36"	M30	345	-	110	34	M36	370	-	130	40	1 1/2"	475	-	180	90	M30	355	-	120	38
950	38"	-	-	-	-	-	-	-	-	-	-	1 1/2"	485	-	185	87	-	-	-	-	-
1000	40"	M33	365	-	125	34	M39	395	-	140	42	1 1/2"	490	-	190	90	M36	385	-	135	40
1050	42"	-	-	-	-	-	-	-	-	-	-	1 1/2"	-	-	200	97	-	-	-	-	-
1100	44"	-	-	-	-	-	-	-	-	-	-	1 1/2"	-	-	205	102	M36	-	-	145	42
1200	48"	M36	-	-	135	38	M45	-	-	155	48	1 1/2"	-	-	210	108	M36	-	-	155	44

Lever and gear operated [mm]

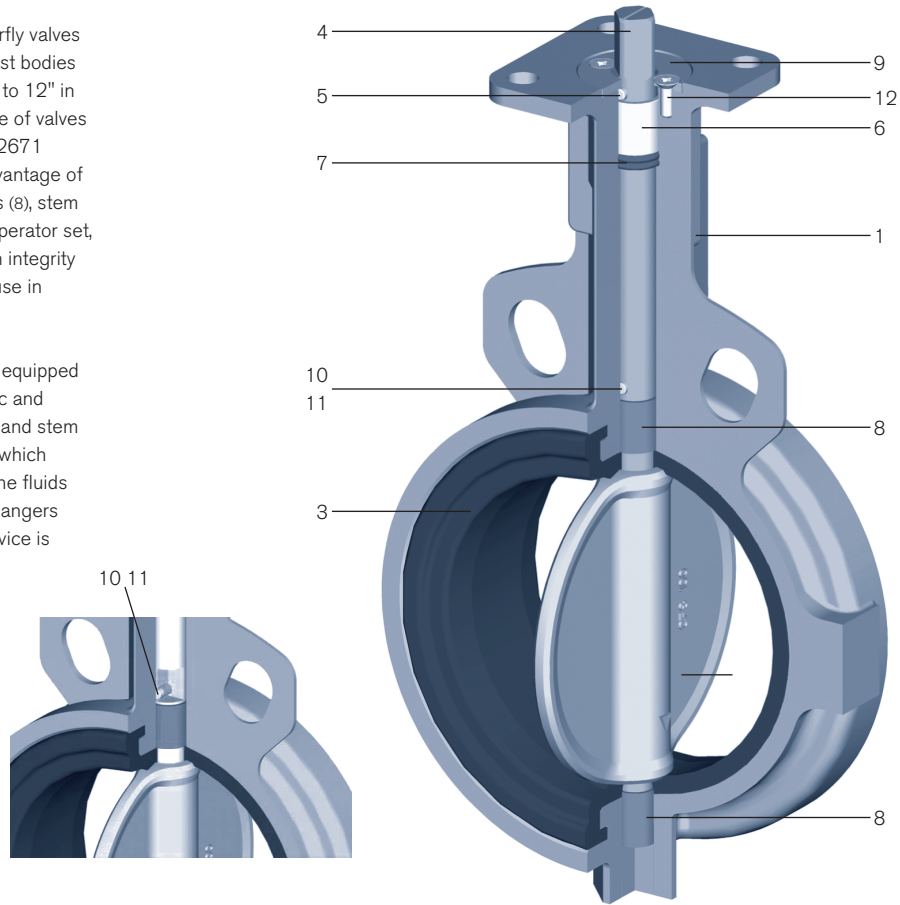


Size		Operator type	Lever operator		Gear operator				Handwheel turns On/off	Mounting flange (ISO 5211)	
mm	inch		H3	L	H4	C	E	F		Type	PCD
40	1 1/2"	Lever	195	200	-	-	-	-	-	F07	70
		Gear	-	-	157	41	155	150	10	F07	70
50	2"	Lever	218	200	-	-	-	-	-	F07	70
		Gear	-	-	180	41	155	150	10	F07	70
65	2 1/2"	Lever	230	200	-	-	-	-	-	F07	70
		Gear	-	-	192	41	155	150	10	F07	70
80	3"	Lever	237	200	-	-	-	-	-	F07	70
		Gear	-	-	199	41	155	150	10	F07	70
100	4"	Lever	256	200	-	-	-	-	-	F07	70
		Gear	-	-	218	41	155	150	10	F07	70
125	5"	Lever	272	250	-	-	-	-	-	F07	70
		Gear	-	-	234	41	155	150	10	F07	70
150	6"	Lever	285	250	-	-	-	-	-	F07	70
		Gear	-	-	247	41	155	150	10	F07	70
200	8"	Lever	324	355	-	-	-	-	-	F10	102
		Gear	-	-	281	63	195	200	9	F10	102
250	10"	Lever	370	355	-	-	-	-	-	F10	102
		Gear	-	-	350	63	195	200	9	F10	102
300	12"	Lever	393	355	-	-	-	-	-	F10	102
		Gear	-	-	350	63	195	200	9	F10	102
350	14"	Gear	-	-	370	61	255	310	9	F12	125
400	16"	Gear	-	-	402	61	255	310	9	F12	125
450	18"	Gear	-	-	445	81	340	400	13	F14	140
500	20"	Gear	-	-	479	81	340	400	13	F14	140
550	22"	Gear	-	-	527	81	340	400	13	F14	140
600	24"	Gear	-	-	548	123	307	400	17.5	F16	165
650	26"	Gear	-	-	571	160	307	400	52	F16	165
700	28"	Gear	-	-	619	123	307	400	17.5	F16	165
750	30"	Gear	-	-	730	160	370	400	52	F25	254
800	32"	Gear	-	-	775	160	370	400	52	F25	254
900	36"	Gear	-	-	805	160	370	400	52	F25	254
950	38"	Gear	-	-	874	160	370	400	52	F25	254
1000	40"	Gear	-	-	945	197	471	600	90	F30	298
1050	42"	Gear	-	-	1009	197	471	600	90	F30	298
1100	44"	Gear	-	-	1010	197	471	600	90	F30	298
1200	48"	Gear	-	-	1066	197	471	600	90	F30	298

Materials

Bürkert offers a new line of butterfly valves with stainless steel investment cast bodies (1) and discs (2) from size 1 1/2" up to 12" in both wafer and lug styles. This line of valves has the same design features of 2671 wafer/lug style valve, plus the advantage of parts like RTFE+SS316 bushings (8), stem retainer (9), stainless steel lever operator set, and gear box, etc.; to reach a high integrity corrosion resistance exterior for use in aggressive environments.

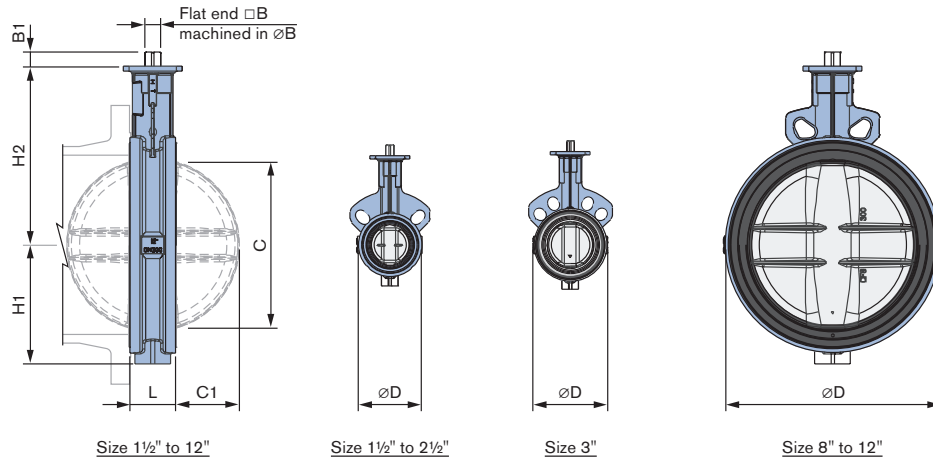
Antistatic device (10.11) has to be equipped with this valve, since the valve disc and stem was isolated by rubber liner and stem bushings. It will collect the static, which resulted by the friction between the fluids and disc. In order to prevent the dangers caused by static, the antistatic device is required.



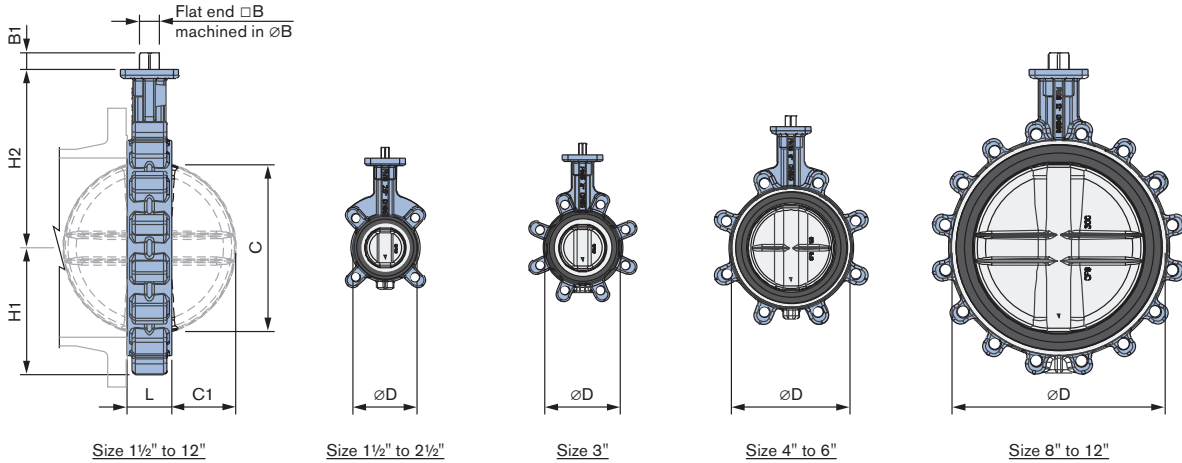
Item	Part name	Materials	Specifications		Comments
			JIS	ASTM	
1	Body	Stainless steel	SCS 13A	A351 Gr. CF8	
			SCS 14A	A351 Gr. CF8M	
2	Disc	Stainless steel	SCS 13A	A351 Gr. CF8	
			SCS 14A	A351 Gr. CF8M	
3	Seat	NBR (Nitrile)	-	-	14°F to 176°F (-10°C to 80°C)
		EPDM	-	-	-4°F to 248°F (-20°C to 120°C)
		EPT	-	-	-4°F to 284°F (-20°C to 140°C)
		Neoprene (CR)	-	-	32°F to 176°F (0°C to 80°C)
		Silicon	-	-	-4°F to 356°F (-20°C to 180°C)
		CSM	-	-	-4°F to 275°F (-20°C to 135°C)
		FKM	-	-	-0.4°F to 400°F (-18°C to 204°C)
4	Stem	Stainless steel	SUS 410	A182 Gr. F6A	
			SUS 304	A182 Gr. F304	
			SUS 316	A182 Gr. F316	
5	Pin	Stainless steel	SUS 304	A182 Gr. F304	
6	Bush	Delrin	-	-	
7	O-ring	NBR (Nitrile)	-	-	
8	Bush	RPTFE+Stainless steel	RPTFE+SUS316	RPTFE+A240 Gr. 316	
9	Stem retainer	Stainless steel	SUS 304	A240 Gr. F304	
10	Pin (anti-static)	Stainless steel	SUS 304	A182 Gr. F304	
11	Spring	Stainless steel	SUS 304	A182 Gr. F304	
12	Screw	Stainless steel	SUS 304	A193 Gr. B8	

Dimensions for sizes 1 1/2" to 12" [mm]

Wafer type



Lug type



Size		Face to face				Mounting flange (ISO 5211)		Shaft end			Disc clearance		Weight [lb.]	
mm	inch	L	H1	H2	D	Type	PCD	ØB	□B	B1	C	C1	Wafer	Lug
40	1 1/2"	33	60	120	81	F07	70	14	11	19	34	7	4.8	5.2
50	2"	43	65	143	96	F07	70	14	11	19	39	8	7.2	8.1
65	2 1/2"	46	71	155	110	F07	70	14	11	19	55	13	9.0	9.4
80	3"	46	77	162	126	F07	70	14	11	19	69	19	9.4	10.8
100	4"	52	91	181	148	F07	70	14	11	19	91	27	12.5	18.0
125	5"	56	103	197	180	F07	70	18	14	19	115	36	17.4	22.7
150	6"	56	120	210	206	F07	70	18	14	19	140	47	19.6	24.9
200	8"	60	144	240	259	F10	102	22	17	24	186	68	32.1	41.6
250	10"	68	174	288	325	F10	102	25	19	24	239	90	50.2	63.2
300	12"	78	206	311	373	F10	102	28	22	24	288	111	77.6	103.8

### Rubber lined butterfly valve specification chart

Size	Type	Style	Body	Seat	Disc	Stem	Operator	Limit Switch	Solenoid	Positioner
4.0"	1	1	1	2	1	1	1	A	0	A
1.5"	1-rubber lined	1-wafer	1-ductile iron	1-NBR (nitrile)	0-ductile iron	1-410SS	0-bare stem	A-none	0-none	A-none
2.0"		2-lug	2-cast iron	2-EPDM	1-316SS	2-304SS	1-10 position handle	B-SPDT	1-120/1/60 VAC	B-4-20 Ma
2.5"			3-316SS	3-white EPT	2-304SS	3-316SS	2-gear operator	S-please specify	2-24 VDC	
3.0"				4-neoprene (CR)	3-alu-bronze		3-pneumatic D/A			
4.0"				5-silicon			4-pneumatic S/R F/C			
5.0"				6-hypalon (CSM)			5-pneumatic S/R F/O			
6.0"				7-viton			6-electric 120 VAC			
8.0"							7-electric 24 VDC			
10.0"										
12.0"										
14.0"										
16.0"										
18.0"										
20.0"										
24.0"										
28.0"										
30.0"										
32.0"										
36.0"										

Notes:

Flange Class ANSI 150

D/A = Double Acting

S/R = Spring Return

F/O = Fail Open

F/C = Fail Closed

See electric actuator datasheet for complete options.

DTS 1000185213 EN Version: H Status: RL (released | freigegeben | validé) printed: 26.03.2021

To find your nearest Burkert facility, click on the orange box →

[www.burkert-usa.com](http://www.burkert-usa.com)