

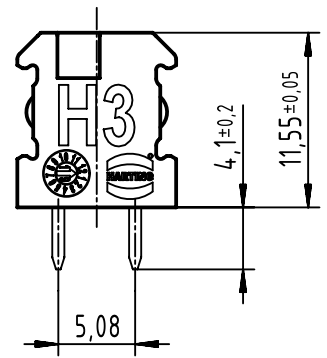
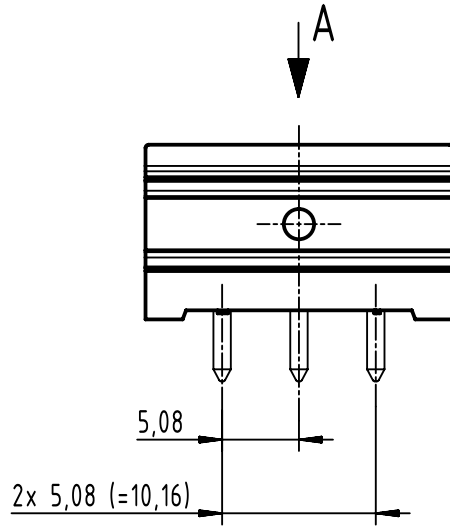
1 2 3 4 5 6

A

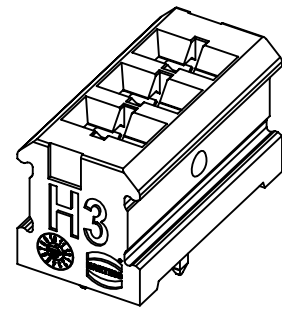
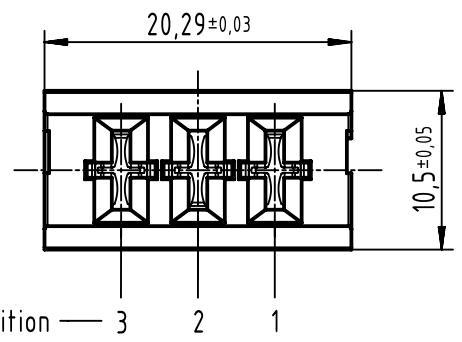
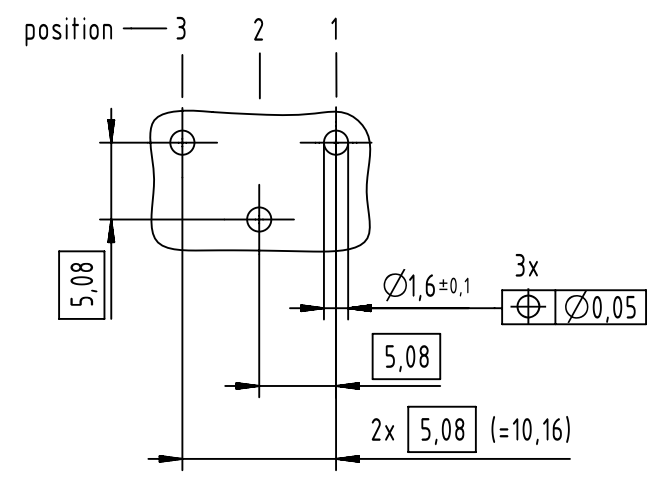
B


C

D



A  
board drillings



	All rights reserved Department EL PD	All Dimensions in mm Original Size DIN A4	Scale 2:1	Free size tol.	Ref. Sub.	
		HARTING Electronics GmbH D-32339 Espelkamp	Created by HASELOH	Inspected by WOLF	Standardisation KOHLER	Date 2020-09-22
		Title har-modular H3-module female solder 3-pole			Doc-Key / ECM-Nr. 100802930/UGD/005/C 500000178474	
		Type TB	Number 02529031301		Rev. C	Page 1/1