

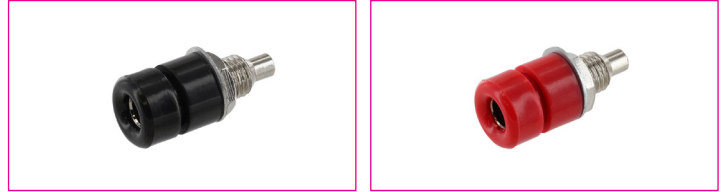
SPECIFICATION:

Operating Voltage (Max.): 60 Vdc
 Operating Current (Nom.): 24 A
 Operating Temperature: -20°C to 90°C
 Insulation Resistance (Min.): 500 MΩ
 Contact Resistance (Max.): 5 mΩ



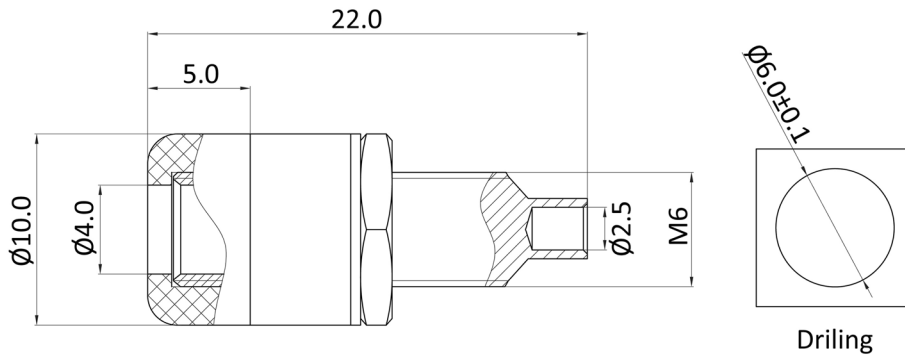
MATERIAL:

Material (Terminal): brass, nickel plated
 Material (Housing): ABS
 Material (Contact Area): brass, nickel plated



HANDLING:

Terminal: solder
 Packaging: bulk
 PU: 100 piece(s)



Order Information

Identifier:	Colour:
TB40	#
Telephone socket 4.0 mm	SW: black
	RT: red
	BL: blue
	GE: yellow
	GN: green
	WS: white