

1-745494-6 ✓ ACTIVE

AMPLIMITE | AMPLIMITE HDE

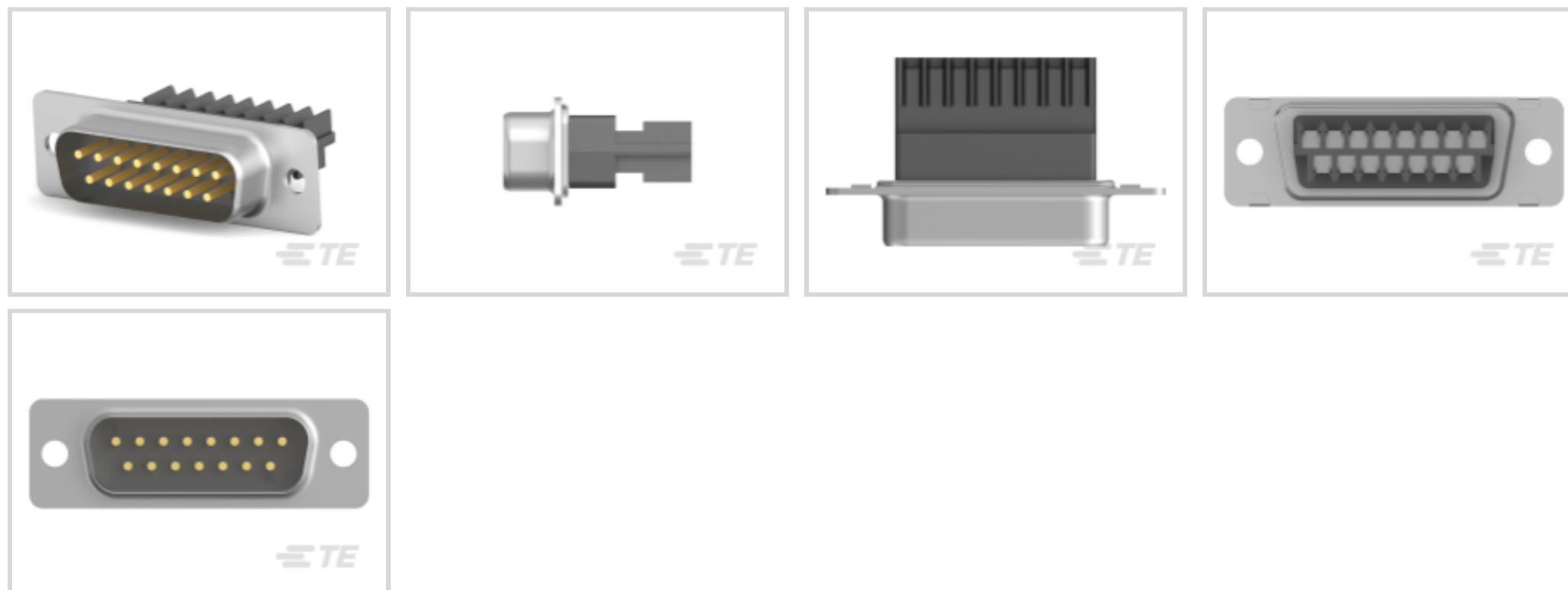
TE Internal #: 1-745494-6

AMPLIMITE HDE, IDC D-Sub Connectors, Plug, Shielded, Wire-to-Wire, 15 Position, 2.74mm [.108in] Centerline, 2 Row, Connector Assembly

[View on TE.com >](#)



Connectors > D-Shaped Connectors > D-Sub Connectors > IDC D-Sub Connectors > IDC D-Sub: Plug Assembly, Wire to Wire, Signal, 2.74 mm



Connector & Housing Type: **Plug**

Shielded: **Yes**

Connector System: **Wire-to-Wire**

Number of Positions: **15**

Centerline (Pitch): **2.74 mm [.108 in]**

[All IDC D-Sub: Plug Assembly, Wire to Wire, Signal, 2.74 mm \(3\)](#)

Features

Product Type Features

Grade	Standard
Grounding Indents	With
Shell Type	Full Metal Shell
Connector & Housing Type	Plug
Connector System	Wire-to-Wire
Connector Product Type	Connector Assembly
D-Sub Shell Size	2
Connector & Contact Terminates To	Wire & Cable

Configuration Features

Number of Positions	15
Number of Rows	2
Compatible With Wire & Cable Type	Discrete Wire, Round Jacketed Cable



Body Features

Color	Black
Shell Material	Steel
Insert Material	Thermoplastic
Shell Plating Material	Tin

Contact Features

PCB Termination Area Plating Finish	Matte
Contact Type	Pin
D-Sub Contact Size	20
Contact Current Rating (Max)	2.4 A

Mechanical Attachment

Mating Connector Lock	With
Mounting Angle	Straight
Mating Connector Lock Type	Mounting Holes
Connector Mounting Type	Panel Mount

Housing Features

Enclosure	Without
Centerline (Pitch)	2.74 mm [.108 in]

Dimensions

Wire Size	.15 – .4 mm ²
-----------	--------------------------

Usage Conditions

Operating Temperature Range	-55 – 105 °C [-67 – 221 °F]
-----------------------------	-----------------------------

Operation/Application

Shielded	Yes
----------	-----

Industry Standards

Insert Flammability Rating	UL 94V-0
----------------------------	----------

Packaging Features

Packaging Method	Package
Packaging Quantity	112

Other

Comment	All connectors are preloaded. Individual conductor strands should be larger than
---------	--



0.13 [.005] diameter. Contacts accept a max. wire insulation thickness of 0.38 [.015]. HDE connectors are designed for terminating solid or stranded (7-strand max.) wire., Connectors can be made available with clinch nuts, contact AMP Incorporated, HDE connectors are designed for terminating solid or stranded (7-strand max.) wire., Individual conductor strands should be larger than 0.127 in. [.005] diameter.

Product Compliance

[For compliance documentation, visit the product page on TE.com>](#)

EU RoHS Directive 2011/65/EU	Compliant
EU ELV Directive 2000/53/EC	Compliant
China RoHS 2 Directive MIIT Order No 32, 2016	No Restricted Materials Above Threshold
EU REACH Regulation (EC) No. 1907/2006	Current ECHA Candidate List: JAN 2021 (211) Candidate List Declared Against: JAN 2021 (211) Does not contain REACH SVHC
Halogen Content	Not Low Halogen - contains Br or Cl > 900 ppm.
Solder Process Capability	Not applicable for solder process capability

Product Compliance Disclaimer

This information is provided based on reasonable inquiry of our suppliers and represents our current actual knowledge based on the information they provided. This information is subject to change. The part numbers that TE has identified as EU RoHS compliant have a maximum concentration of 0.1% by weight in homogenous materials for lead, hexavalent chromium, mercury, PBB, PBDE, DBP, BBP, DEHP, DIBP, and 0.01% for cadmium, or qualify for an exemption to these limits as defined in the Annexes of Directive 2011/65/EU (RoHS2). Finished electrical and electronic equipment products will be CE marked as required by Directive 2011/65/EU. Components may not be CE marked. Additionally, the part numbers that TE has identified as EU ELV compliant have a maximum concentration of 0.1% by weight in homogenous materials for lead, hexavalent chromium, and mercury, and 0.01% for cadmium, or qualify for an exemption to these limits as defined in the Annexes of Directive 2000/53/EC (ELV). Regarding the REACH Regulation, the information TE provides on SVHC in articles for this part number is based on the latest European Chemicals Agency (ECHA) 'Guidance on requirements for substances in articles' posted at this URL: <https://echa.europa.eu/guidance-documents/guidance-on-reach>

Compatible Parts



TE Part # CAT-023-DRARS2274
D-Sub Receptacle Assembly: Right Angle, Shell Size 2, 2.74mm



TE Part # CAT-AM7-248H8
IDC D-Sub: Receptacle Assembly, Wire to Wire, Signal, 2.74 mm



TE Part # CAT-025-DRAVS2274
D-Sub Receptacle Assembly: Vertical, Shell Size 2, 2.74mm




TE Part # 58074-1
MTA 50/100/156 MANUAL TOOL FRAME



TE Part # 5748677-2
PLTD PLST CBL CLMP KIT,SZ 2



TE Part # 5748676-2
DIE CAST CBL CLMP KIT,SZ 2



TE Part # 5745919-1
CABLE CLAMP KIT,SZ 2



TE Part # 5747099-5
CABLE CLAMP KIT,SZ 2



TE Part # 5745652-3
DIECAST STRAIN RELIEF KIT,SZ 2



TE Part # 5747099-1
CABLE CLAMP KIT,SZ 2




TE Part # 5745652-1
DIECAST STRAIN RELIEF KIT,SZ 2



TE Part # 5745652-2
DIECAST STRAIN RELIEF KIT,SZ 2



TE Part # 5206471-1
CABLE CLAMP KIT,SZ 2



TE Part # 5747099-7
CABLE CLAMP KIT,SZ 2



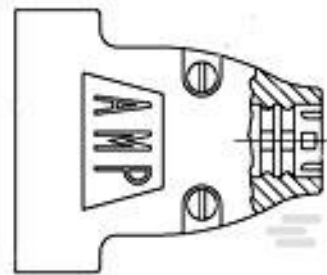
TE Part # 5745652-4
DIECAST STRAIN RELIEF KIT,SZ 2



TE Part # CAT-025-DRAVS3277
D-Sub Receptacle Assembly: Vertical, Shell Size 3, 2.77mm



TE Part # CAT-AM7-248H6
IDC D-Sub: Receptacle Kit, Wire to Wire, Signal, 2.74 mm



TE Part # 5745919-3
CABLE CLAMP KIT,SZ 2



TE Part # CAT-333-DRRES274
D-Sub Receptacle Assy: Eurostyle, Right Angle, Surface Mount, 2.74mm

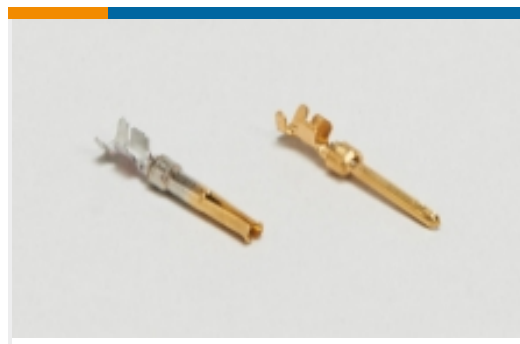


TE Part # 5747099-3
CABLE CLAMP KIT,SZ 2

Also in the Series | **AMPLIMITE HDE**



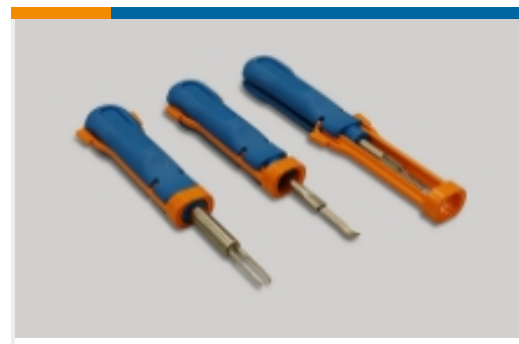
Crimp D-Sub Connectors(1)



D-Sub Connector Contacts(13)



IDC D-Sub Connectors(83)



Insertion & Extraction Tools(2)

Customers Also Bought



TE Part #1-745492-8
IDC D-Sub: Plug Assembly, Wire to Wire, Signal, 2.77 mm



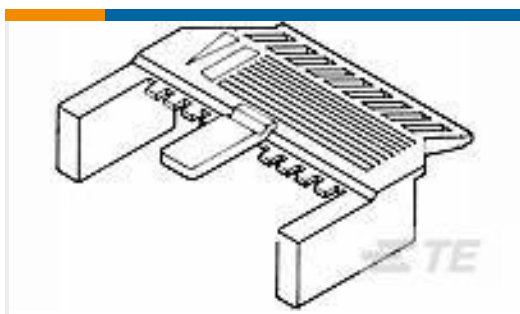
TE Part #1-745497-5
IDC D-Sub: Receptacle Assembly, Wire to Wire, Signal, 2.77 mm



TE Part #1-745491-8
IDC D-Sub: Receptacle Assembly, Wire to Wire, Signal, 2.74 mm



TE Part #1437624-8
PK70B1/4=KNOB PLASTIC BLK 1/4



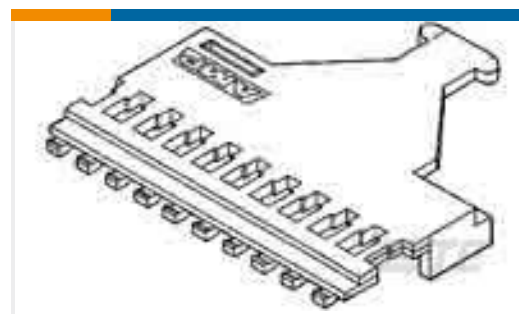
TE Part #102537-8
20 AMPMODU MT COVER DR .100CL



TE Part #864900-2
LGH CONNECTOR HOUSING



TE Part #1648568-1
295-0093-01100=CONN,PIN,MARKED



TE Part #103349-4
08 LEVEL V COVER .125CL

Documents

Product Drawings

15 HDE MS PLUG,22-26,LEAD FREE

English

CAD Files

3D PDF

3D

Customer View Model

[ENG_CVM_CVM_1-745494-6_Z.2d_dxf.zip](#)

English

Customer View Model

[ENG_CVM_CVM_1-745494-6_Z.3d_igs.zip](#)

English

Customer View Model

[ENG_CVM_CVM_1-745494-6_Z.3d_stp.zip](#)

English

By downloading the CAD file I accept and agree to the [Terms and Conditions](#) of use.



Datasheets & Catalog Pages

[AMPLIMITE Subminiature D Connectors - Cable Connectors](#)

English

[AMPLIMITE Cable Connectors and Shielding Hardware Kits QRG](#)

English

Product Specifications

[Application Specification](#)

English

Product Environmental Compliance

[TE Material Declaration](#)

English

Instruction Sheets

[Instruction Sheet \(U.S.\)](#)

English

Agency Approvals

[UL Report](#)

English