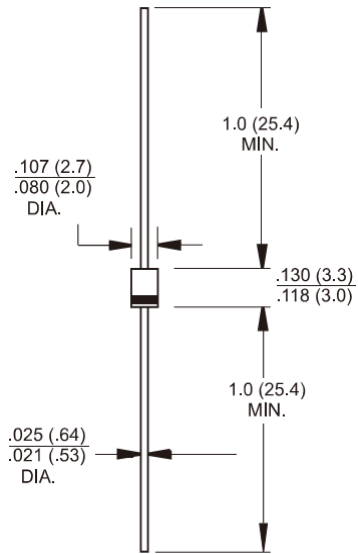


TS-1



Features

- ✧ Low forward voltage drop
- ✧ High current capability
- ✧ High reliability
- ✧ High surge current capability
- ✧ 3mm miniature body
- ✧ Green compound with suffix "G" on packing code & prefix "G" on datecode

Mechanical Data

- ✧ Case: Molded plastic
- ✧ Epoxy: UL 94V-0 rate flame retardant
- ✧ Lead: Axial leads, solderable per MIL-STD-202, Method 208 guaranteed
- ✧ Polarity: Color band denotes cathode
- ✧ High temperature soldering guaranteed: 260°C/10s / .375", (9.5mm) lead lengths at 5 lbs, (2.3kg) tension
- ✧ Weight: 0.20 grams

Dimensions in inches and (millimeters)

Marking Diagram



- 1TXG = Specific Device Code
- G = Green Compound
- Y = Year
- M = Work Month

Maximum Ratings and Electrical Characteristics

Rating at 25 °C ambient temperature unless otherwise specified.

Single phase, half wave, 60 Hz, resistive or inductive load.

For capacitive load, derate current by 20%

Type Number	Symbol	1T1G	1T2G	1T3G	1T4G	1T5G	1T6G	1T7G	Unit
Maximum Repetitive Peak Reverse Voltage	V_{RRM}	50	100	200	400	600	800	1000	V
Maximum RMS Voltage	V_{RMS}	35	70	140	280	420	560	700	V
Maximum DC Blocking Voltage	V_{DC}	50	100	200	400	600	800	1000	V
Maximum Average Forward Rectified Current .375"(9.5mm) Lead Length @ $T_A=50^\circ C$	$I_{F(AV)}$	1							A
Peak Forward Surge Current, 8.3 ms Single Half Sine-wave Superimposed on Rated Load (JEDEC method)	I_{FSM}	30							A
Maximum Instantaneous Forward Voltage (Note 1) @ 1 A	V_F	1.1	1.0					V	
Maximum Reverse Current @ Rated VR $T_A=25^\circ C$ $T_A=125^\circ C$	I_R	5 100							μA
Typical Junction Capacitance (Note 2)	C_j	10							pF
Typical Thermal Resistance (Note 3)	$R_{\theta JA}$	100							$^\circ C/W$
Operating Temperature Range	T_J	- 65 to + 150							$^\circ C$
Storage Temperature Range	T_{STG}	- 65 to + 150							$^\circ C$

Note1: Pulse Test with PW=300 usec, 1% Duty Cycle

Note2: Measured at 1 MHz and Applied Reverse Voltage of 4.0V D.C.

Note3: Mount on Cu-Pad Size 5mm x 5mm on P.C.B.

RATINGS AND CHARACTERISTIC CURVES (1T1G THRU 1T7G)

FIG.1 MAXIMUM FORWARD CURRENT DERATING CURVE

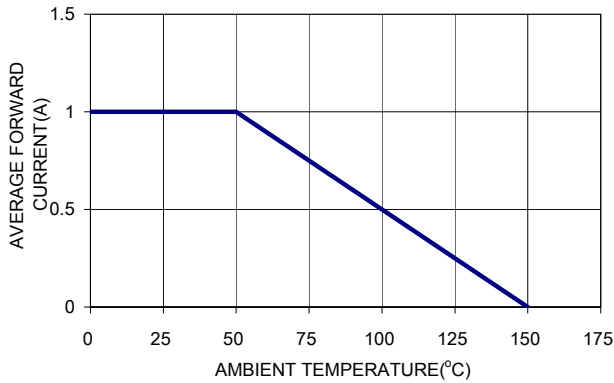


FIG. 2 TYPICAL REVERSE CHARACTERISTICS

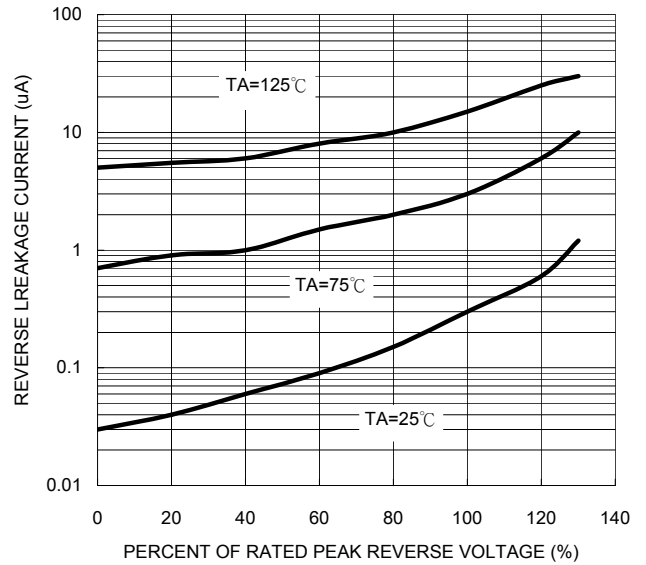


FIG. 3 MAXIMUM NON-REPETITIVE FORWARD SURGE CURRENT

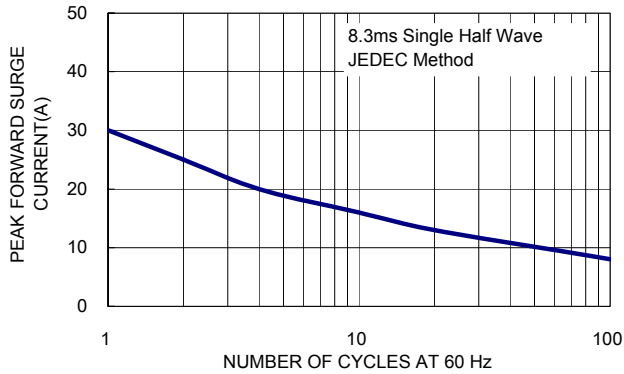


FIG. 4 TYPICAL JUNCTION CAPACITANCE

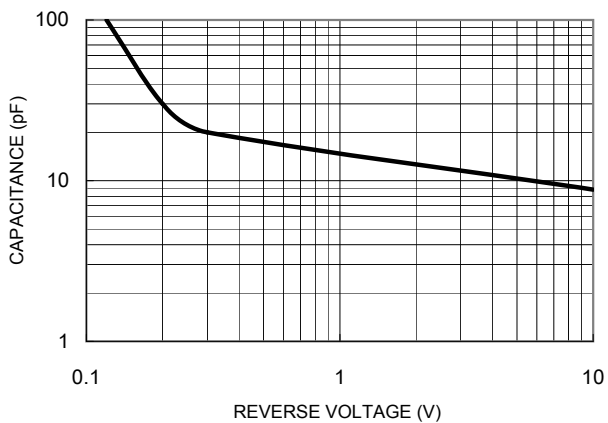


FIG. 5 TYPICAL FORWARD CHARACTERISTICS

