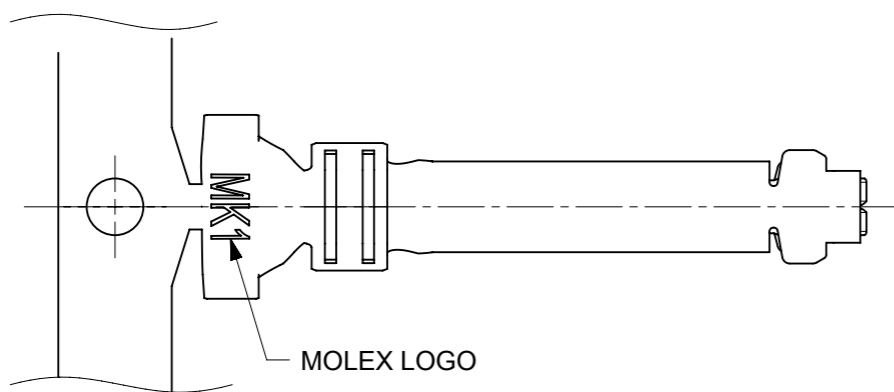


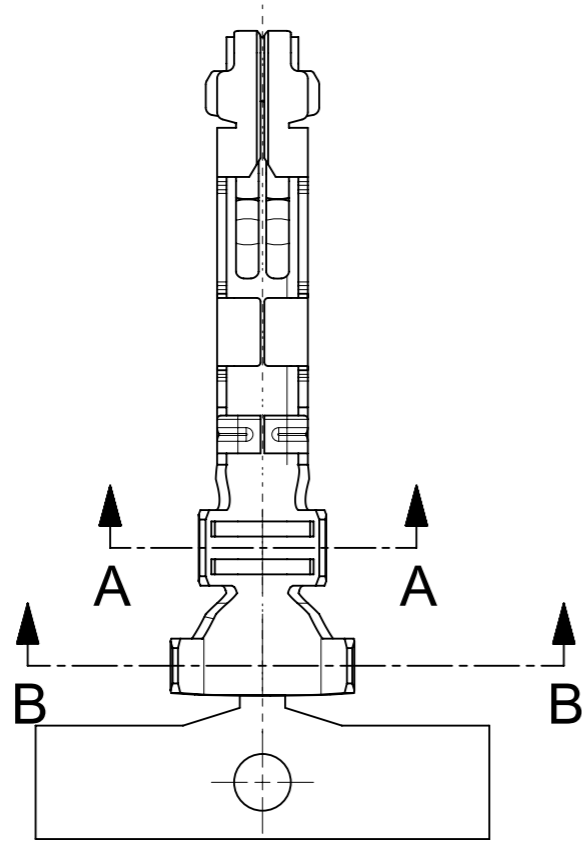
**NOTES:**

1. MATERIAL: COPPER-NICKEL ALLOY
2. FINISHES: SEE TABLE
3. WIRE RANGE #16~#20 AND #22~#26
4. PRODUCT SPECIFICATION: 2069960000PS
5. PACKAGING SPECIFICATION: 2069990000PK
6. MATES WITH: 206996, 206997 SERIES

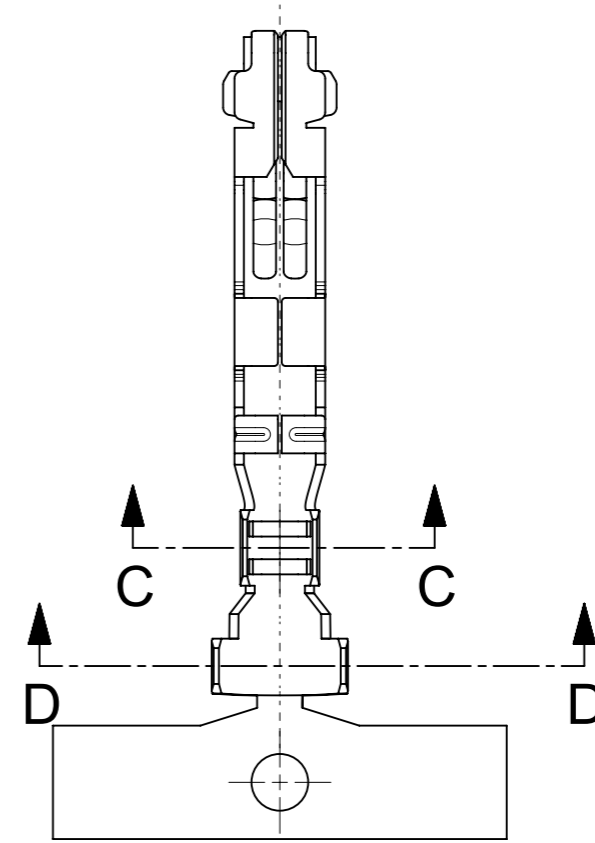


MATERIAL NO.	FINISHES	AWG SIZE
206999-8000	PRE-TIN PLATING	#16 ~ #20 Ø1.75~Ø3.3
206999-8002	POST-TIN PLATING	
206999-8003	POST-AU PLATING	
207000-8000	PRE-TIN PLATING	#22 ~ #26 Ø1.25~Ø2.35
207000-8002	POST-TIN PLATING	
207000-8003	POST-AU PLATING	

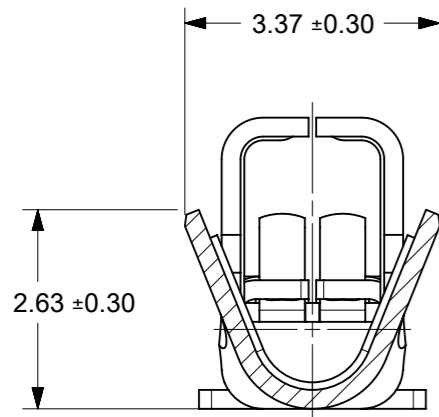
FUNCTIONAL SYMBOLS $\nabla_A = 0$ $\nabla_E = 0$ $\nabla_V = 0$	THIS DRAWING CONTAINS INFORMATION THAT IS PROPRIETARY TO MOLEX ELECTRONIC TECHNOLOGIES, LLC AND SHOULD NOT BE USED WITHOUT WRITTEN PERMISSION	CURRENT REV DESC:					
	DIMENSION UNITS: mm	SCALE: 5:1	GENERAL TOLERANCES (UNLESS SPECIFIED)				
	DIVISIONAL SYMBOLS	ANGULAR TOL ± 5.0°	4 PLACES ±	EC NO: 653469	2021/01/21	PRODUCT CUSTOMER DRAWING DOCUMENT NUMBER: 2069998000 DOC TYPE: PSD DOC PART: 001 REVISION: A3	
	3 PLACES ± 0.2	2 PLACES ± 0.2	1 PLACE ± 0.2	DRWN: SCHONG03	2021/01/26		
0 PLACES ± 0.2	DRAFT WHERE APPLICABLE MUST REMAIN WITHIN DIMENSIONS	THIRD ANGLE PROJECTION	APPR: JBJIN	2021/01/27			
		INITIAL REVISION:	DRWN: SCHONG03	2019/02/18	MATERIAL NUMBER: SEE CHART	CUSTOMER: SEE CHART	SHEET NUMBER: 1 OF 2
		APPR: YSKIM02	2020/03/19	SERIES: 206999			



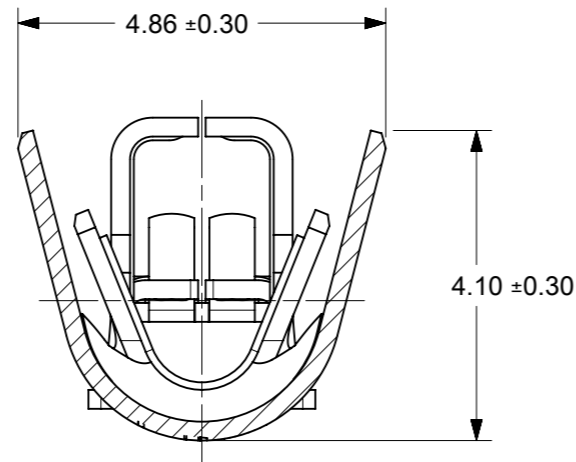
#16 ~ #20 AWG CRIMP SIZE



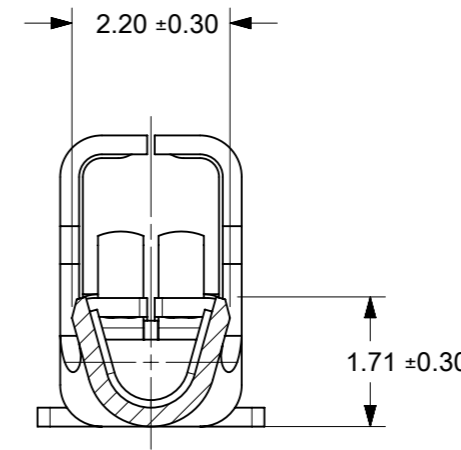
#22 ~ #26 AWG CRIMP SIZE



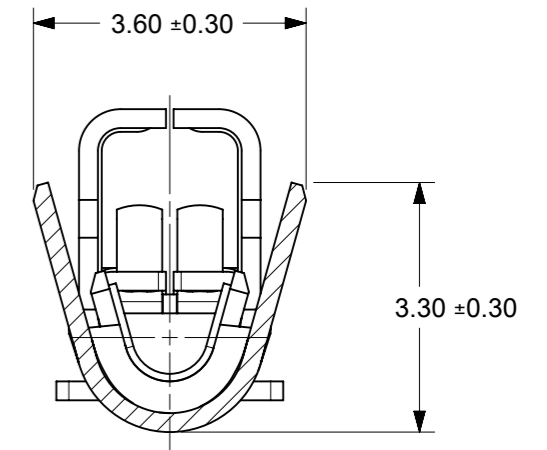
SECTION A-A  
SCALE 10:1



SECTION B-B  
SCALE 10:1



SECTION C-C  
SCALE 10:1



SECTION D-D  
SCALE 10:1

FUNCTIONAL SYMBOLS	THIS DRAWING CONTAINS INFORMATION THAT IS PROPRIETARY TO MOLEX ELECTRONIC TECHNOLOGIES, LLC AND SHOULD NOT BE USED WITHOUT WRITTEN PERMISSION		CURRENT REV DESC:		<b>molex</b>		
	mm	5:1					
DIVISIONAL SYMBOLS	GENERAL TOLERANCES (UNLESS SPECIFIED)		EC NO: 653469 DRWN: SCHONG03 CHK'D: JDPARK01 APPR: JBJIN		CP4.5 CRIMP TERMINAL		
	ANGULAR TOL ± 5.0°						
	4 PLACES	±			PRODUCT CUSTOMER DRAWING		
	3 PLACES	± 0.2					
	2 PLACES	± 0.2			DOCUMENT NUMBER <b>2069998000</b>		
1 PLACE	± 0.2						
0 PLACES	± 0.2	DOC TYPE PSD					
DRAFT WHERE APPLICABLE MUST REMAIN WITHIN DIMENSIONS					THIRD ANGLE PROJECTION		DOC PART 001
		DRAWING A3-SIZE		SERIES 206999		REVISION A3	
		MATERIAL NUMBER SEE CHART		CUSTOMER		SHEET NUMBER 2 OF 2	