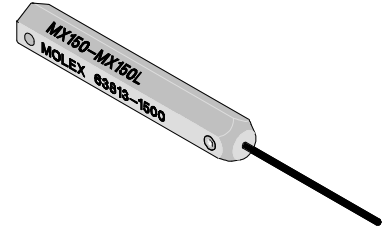




Extractor Tool for Instruction Sheet Order No. 63813-1500



SCOPE:

The 63813-1500 Extraction Tool is used on several different connector series.

Product List

Products: MX150L™ and MX150™ Crimp Terminals, 14-22 AWG.

MX150™ Cable Seal, Receptacle Crimp Terminal, 14-22 AWG.

2.00mm (.079") Pitch iGrid™ Wire-to-Board Crimp Terminal, 22-28 AWG.

Mini-SPOX™ Crimp Terminals, 22-28 AWG.

Positive Terminal for PT Bulb Socket, AVSS 0.50~0.85mm², Series 35464.

Wire to Motor Connectors Crimp Terminals, Series 59323.

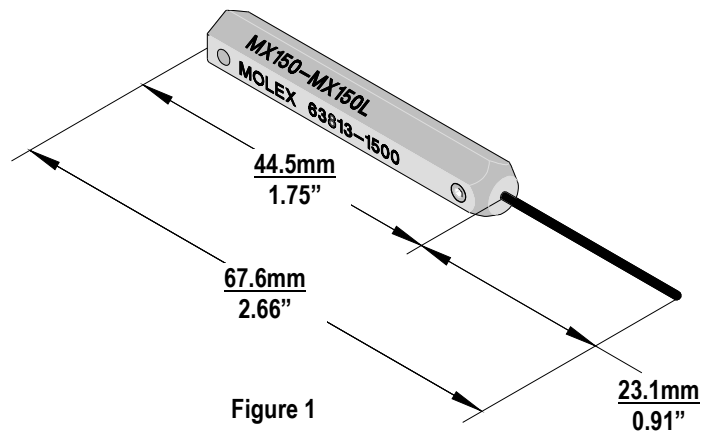
Terminal Series Number	Terminal Order Number					
19417	19417-0011	19417-0027	19417-0031	19417-0034	19417-0049	19417-0052
	19417-0024	19417-0028	19417-0032	19417-0047	19417-0050	19417-0053
	19417-0025	19417-0029	19417-0033	19417-0048	19417-0051	19417-0054
	19417-0026	19417-0030				
19420	19420-0001	19420-0003	19420-0007	19420-0009	19420-0011	
	19420-0002	19420-0004	19420-0008	19420-0010	19420-0012	
33001	33001-2003	33001-2004	33001-2005	33001-2021	33001-2022	33001-2023
	33001-3003	33001-3004	33001-3005	33001-3021	33001-3022	33001-3023
	33001-4001	33001-4002	33001-4003	33001-4021	33001-4022	33001-4023
	33001-5001	33001-5002	33001-5003	33001-5021	33001-5022	33001-5023
33012	33012-2001	33012-2002	33012-2003	33012-2021	33012-2022	33012-2023
	33012-3001	33012-3002	33012-3003	33012-3021	33012-3022	33012-3023
34750	34750-0001	34750-0002	34750-0003	34750-1001	34750-1002	34750-1003
34081	34081-2003	34081-2004	34081-2005	34081-3003	34081-3004	34081-3005
	34081-4001	34081-4002	34081-4003	34081-5001	34081-5002	34081-5003
34083	34083-2001	34083-2002	34083-2003	34083-3001	34083-3002	34083-3003
35464	35464-8000					
501647	501647-1000	501647-1100				
501648	501648-1000	501648-1100				
5103	08-70-0056	08-70-0057	08-70-0058	08-70-0059	39-00-0188	39-00-0189
	39-00-0387	39-00-0388	39-00-0389	39-00-0390	39-00-0442	87-00-0569
	87-00-0589					
59323	59323-8000	59323-8100	59323-8200	59323-8300		

The above chart is a partial list of the product order numbers and their specifications this tool is designed to run. Updates to this list are available on www.molex.com.

DESCRIPTION:

Extraction Tool is used on extract terminals from several different connector series.

It is 67.6mm (2.66 in.) long by 6.35mm (.25 in.) diameter, and weight about 0.03kg (1 oz.). See Figure 1.

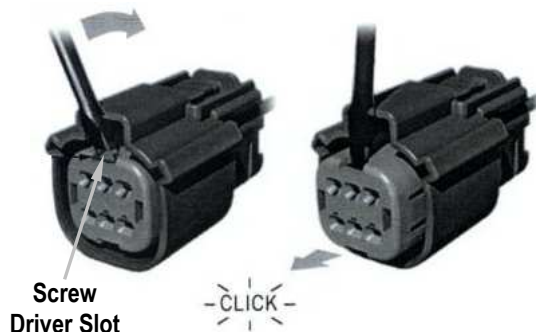


OPERATION:

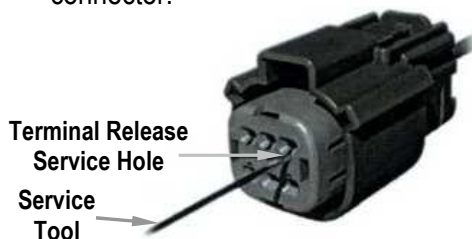
For 19417, 19420, 33001, 33012, 34750, 34081, and 34083 Terminal Series:

SEALED RECEPTACLE ASSEMBLY-SERVICEABILITY

- Return the TPA to the pre-lock position.
 - Use the Standard Screwdriver to return the TPA to pre-lock.
 - Listen for the loud audible "click".

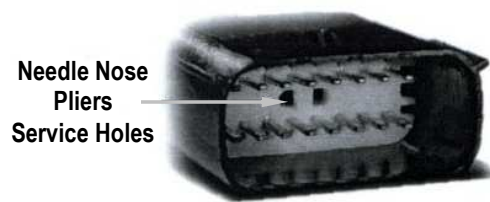


- Release the terminal from the connector assembly.
 - Insert and drive forward (0.9 to 1.0mm) diameter the service tool to release terminal.
 - Pull the terminal from the rear of the connector.

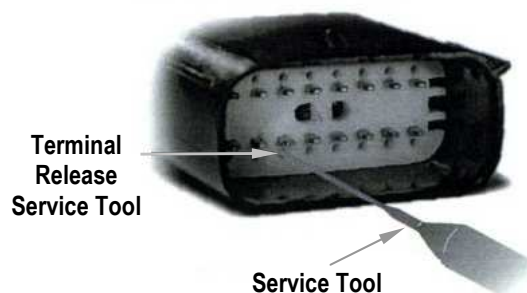


SEALED BLADE ASSEMBLY-SERVICEABILITY

- Return the TPA to the pre-lock position
 - Use the Standard Needle Nose Pliers to return the TPA to pre-lock.
 - Listen for the loud audible "click".



- Release the terminal from the connector assembly.
 - Insert and drive forward (0.9 to 1.0mm) diameter the service tool to release terminal.
 - Pull the terminal from the rear of the connector.



TERMINAL INSTALLATION

Terminal Orientation Feature

This is the Terminal orientation at the matte seal grommet cap.



OPERATION:

For 501647, 501648, and 5103 Terminal Series:

Individual terminals may be extracted from the housing using this Tool.

1. Push the terminal and the wire forward in the arrow direction before using this Tool. Insert the Tool into the slot above the locking tang of the terminal. Push the tool down until the locking tang is even with the rest of the terminal. This will free the terminal from the housing.
2. Holding the wire and the tool together, pull the wire back through the connector slot in the arrow direction as shown in Figure 2.

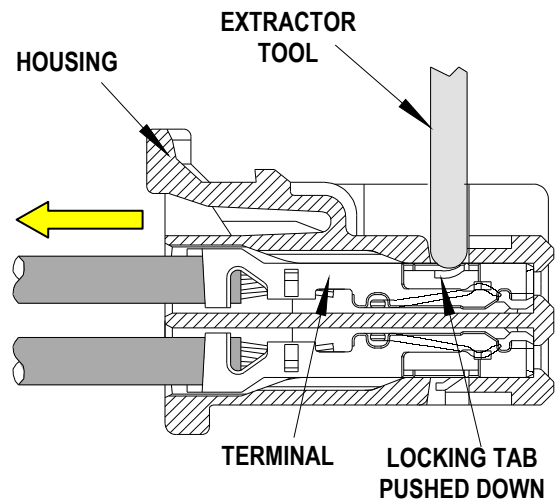
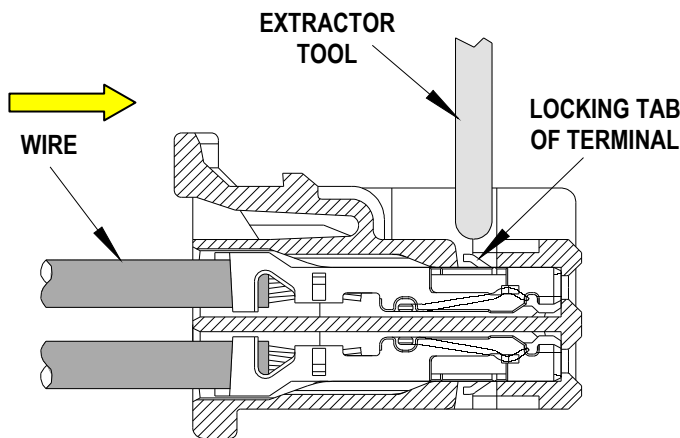
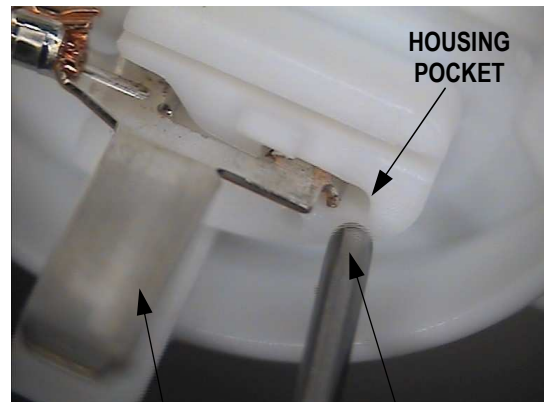


Figure 2

For 59323 Terminal Series:

Individual terminals may be extracted from the housing using this Tool.

1. Insert the tip of the Extractor Tool into the end of the pocket of the housing. Push the tool down until it stops.



TERMINAL
EXTRACTOR TOOL

Figure 3

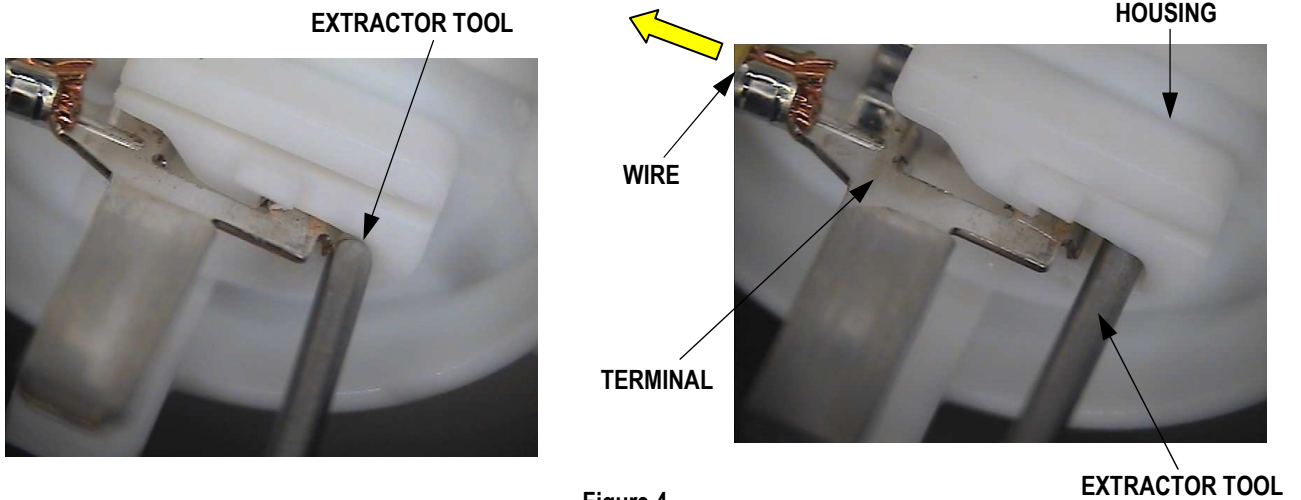


Figure 4

2. The Latch on the housing will open and then release the terminal. Pull the crimped terminal out by the wire in the direction shown. See Figure 3 and 4.

For 34564 Terminal Series:

1. Push the terminal and wire forward in the arrow direction before using the Extractor Tool.
2. Insert the tip of the Extractor tool below the seal and terminal into the hole of the connector housing.
3. Gently push the tool under the terminal until the wings of the terminal lift up and out of the slot.
4. Using an eraser end of a pencil push down on the top of the terminal.
5. Pull the terminal and wire out of the hole. See Figure 5.

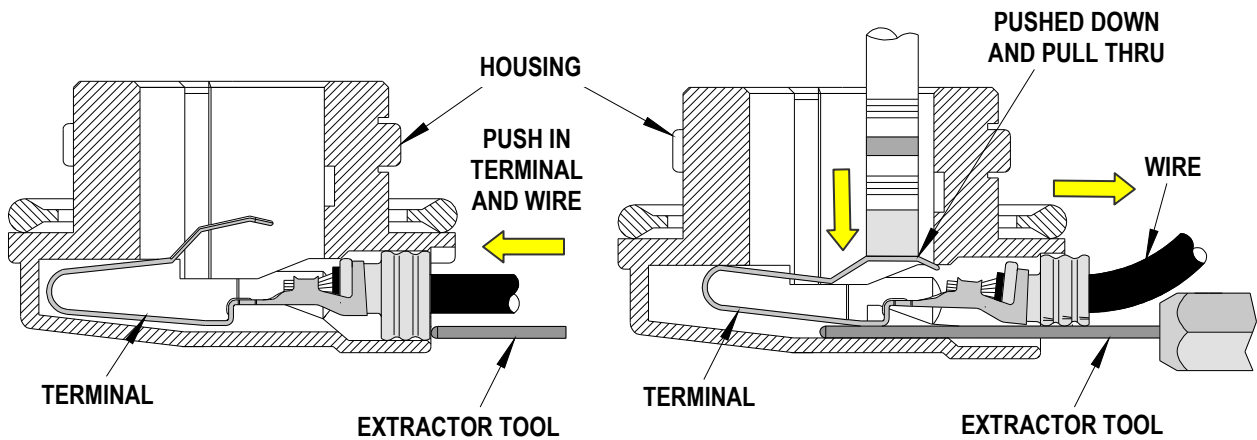


Figure 5

Molex does not offer repair parts for this tool due to the inexpensive nature of the tool

Americas Headquarters
 Lisle, Illinois 60532 U.S.A.
 1-800-78MOLEX
 amerinfo@molex.com

Far East North Headquarters
 Yamato, Kanagawa, Japan
 81-462-65-2324
 feninfo@molex.com

Far East South Headquarters
 Jurong, Singapore
 65-6-268-6868
 fesinfo@molex.com

European Headquarters
 Munich, Germany
 49-89-413092-0
 eurinfo@molex.com

Corporate Headquarters
 2222 Wellington Ct.
 Lisle, IL 60532 U.S.A.
 630-969-4550
 Fax: 630-969-1352

Visit our Web site at <http://www.molex.com>