

PCB TERMINAL BLOCKS

PCB
TERMINAL
BLOCKS

INTER-
CONNECTION

FUSES &
FUSE-
HOLDERS

LEDs &
INDICATORS

MINIATURE
SWITCHES

LIMIT &
SAFETY
SWITCHES

CONTROL
PRODUCTS

INTERFACE
MODULES &
SUPPORTS

RELAY
BASES




DIN RAIL
ENCLOSURES

BATTERIES

SOLAR
PANELS

TRANS-
FORMERS

7.5mm & 7.62mm Pitch Pluggable Rising Clamp Terminal Blocks

- 2-12 pole solid block
- Pluggable male-female connectors
- Open & closed headers
- Horizontal female plug style
- Polarised mouldings
- Moulded in green UL94-V0 flame retardant PA
- Professional rising clamp terminals
- 0.2-2.5mm² (30-12AWG) solid & stranded cable
- Anti solder wicking
- Captive screws
- Guided pin alignment
-    approved

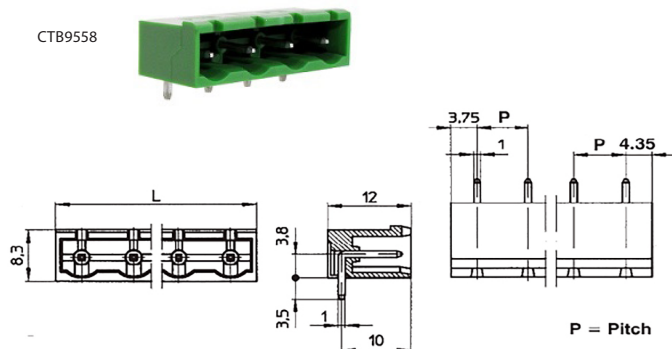
SPECIFICATION

Rating	20A/500V
	UL=12A/300V, VDE&IMQ=20A/500V
Dielectric strength	≥3kV
Impulse withstand voltage	6kV
Working temperature	110°C
Moulding	UL94-V0 flame retardant PA
Pin/terminal	Copper alloy, NI & SN
Rising clamp	Copper alloy, NI & SN
Screw/torque	M3 steel zinc plated, 0.5Nm
Recommended PCB hole size	ø1.4mm

PCB mounting male horizontal (closed ended) 7.62mm

TYPE NO.	POLES	LENGTH
CTB9558/2	2	15.2mm
CTB9558/3	3	22.8mm
CTB9558/4	4	30.4mm
CTB9558/5	5	38.1mm
CTB9558/6	6	45.7mm
CTB9558/7	7	53.3mm
CTB9558/8	8	60.2mm
CTB9558/9	9	68.5mm
CTB9558/10	10	76.2mm
CTB9558/11	11	83.8mm
CTB9558/12	12	91.4mm

CTB9558



PCB mounting male horizontal (open ended) 7.62mm

TYPE NO.	POLES	LENGTH
CTB9558/2AO	2	13.2mm
CTB9558/3AO	3	20.9mm
CTB9558/4AO	4	28.5mm
CTB9558/5AO	5	36.1mm
CTB9558/6AO	6	43.7mm
CTB9558/7AO	7	51.3mm
CTB9558/8AO	8	59mm
CTB9558/9AO	9	66.6mm
CTB9558/10AO	10	74.2mm
CTB9558/11AO	11	81.8mm
CTB9558/12AO	12	89.4mm

CTB9558/A0

