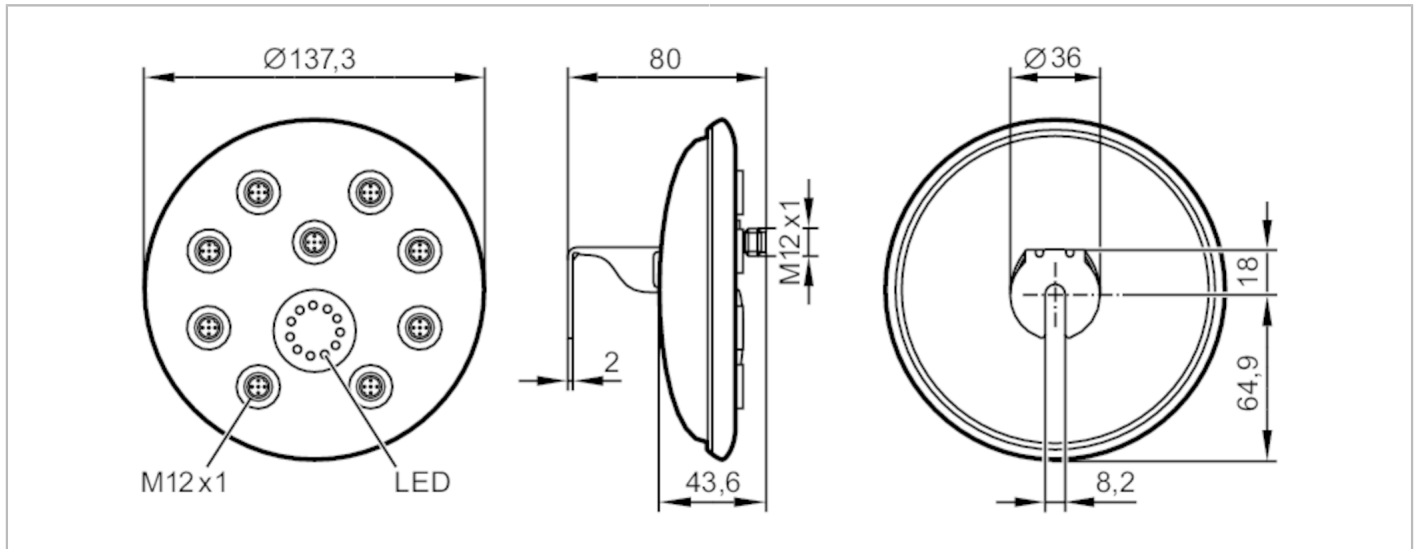


# AC2910



## AS-Interface ProcessLine module

ProcessLine 8DI IP69K



### Electrical data

Operating voltage	[V]	26.5...31.6 DC
Max. current consumption from AS-i	[mA]	500

### Inputs / outputs

Number of inputs and outputs	Number of digital inputs: 8
------------------------------	-----------------------------

### Inputs

Number of digital inputs	8; (2 x Slave)
Input circuit of digital inputs	PNP
Sensor supply of the inputs	AS-i
Voltage supply	[V] 18...30
Max. total current rating of inputs	[mA] 400
Input current High	[mA] 6...10
Input current Low	[mA] 0...2
Min. switching level high signal	[V] 11
Digital inputs protected against short circuits	yes

### Outputs

Circuit	PNP
---------	-----

### Operating conditions

Ambient temperature	[°C] -5...70
Protection	IP 69K

### Tests / approvals

EMC	EN 50295
MTTF	[years] 212



## AS-Interface ProcessLine module

ProcessLine 8DI IP69K

AS-i classification					
AS-i version	2.1				
Extended addressing mode possible	yes				
AS-i profile	S-0.A.E				
AS-i I/O configuration [hex]	0				
AS-i ID code [hex]	A.E				
AS-i certificate	88901				
Assignment of the data bits	data bit	D0	D1	D2	D3
	input	1	2	3	4
	socket	I-1/2	I-1/2 I-2	I-3/4	I-3/4 I-4
	pin	4	2 4	4	2 4

Mechanical data	
Weight [g]	643
Dimensions [mm]	137.3 x 80 x 137.3
Materials	stainless steel; PC; O-ring: EPDM

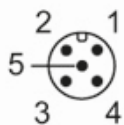
Displays / operating elements		
Display	operation	LED, green
	errors	LED, red
	function	LED, yellow

Accessories	
Accessories (supplied)	Protective cap: M12, E70297
Accessories (optional)	Torque wrench, E70390
	Flat cable insulation displacement connector, E70454

Remarks	
Remarks	Inputs and outputs must be electrically isolated.
	Do not connect any of the following points to an external potential: I-, I+, I-1/2, I-2, I-3/4, I-4
	The connections are electrically connected with the AS-i cable.
	default setting of the ID1 codes: slave 1=1 / slave 2=2
	The round cable connected to AS-i should not be longer than 2 m.
Pack quantity	1 pcs.

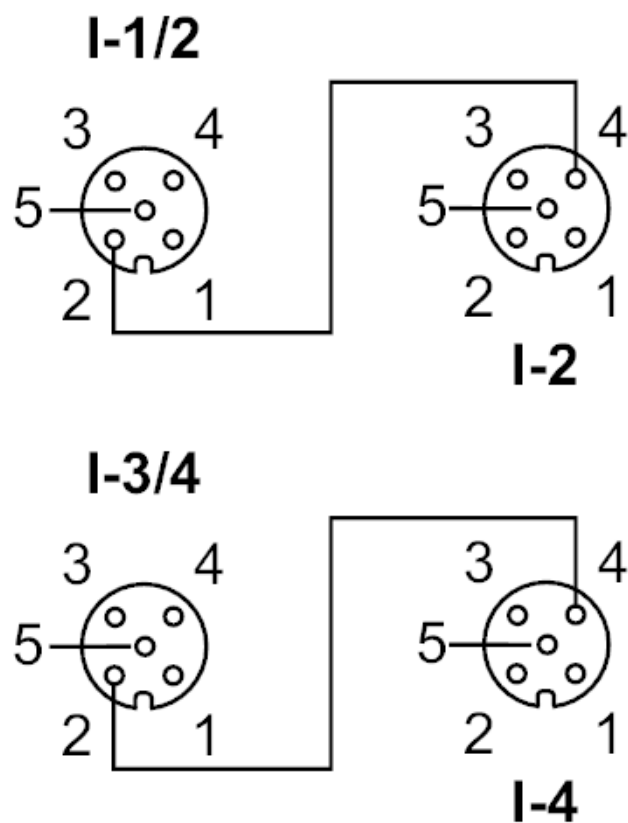
Electrical connection - AS-i	
1	AS-i+
2	n.c.
3	AS-i -
4	n.c.
5	functional earth

Connector: M12



### Electrical connection - Inputs

#### Connection



1	Sensor supply L+
3	Sensor supply L-
5	functional earth

Connector: M12

