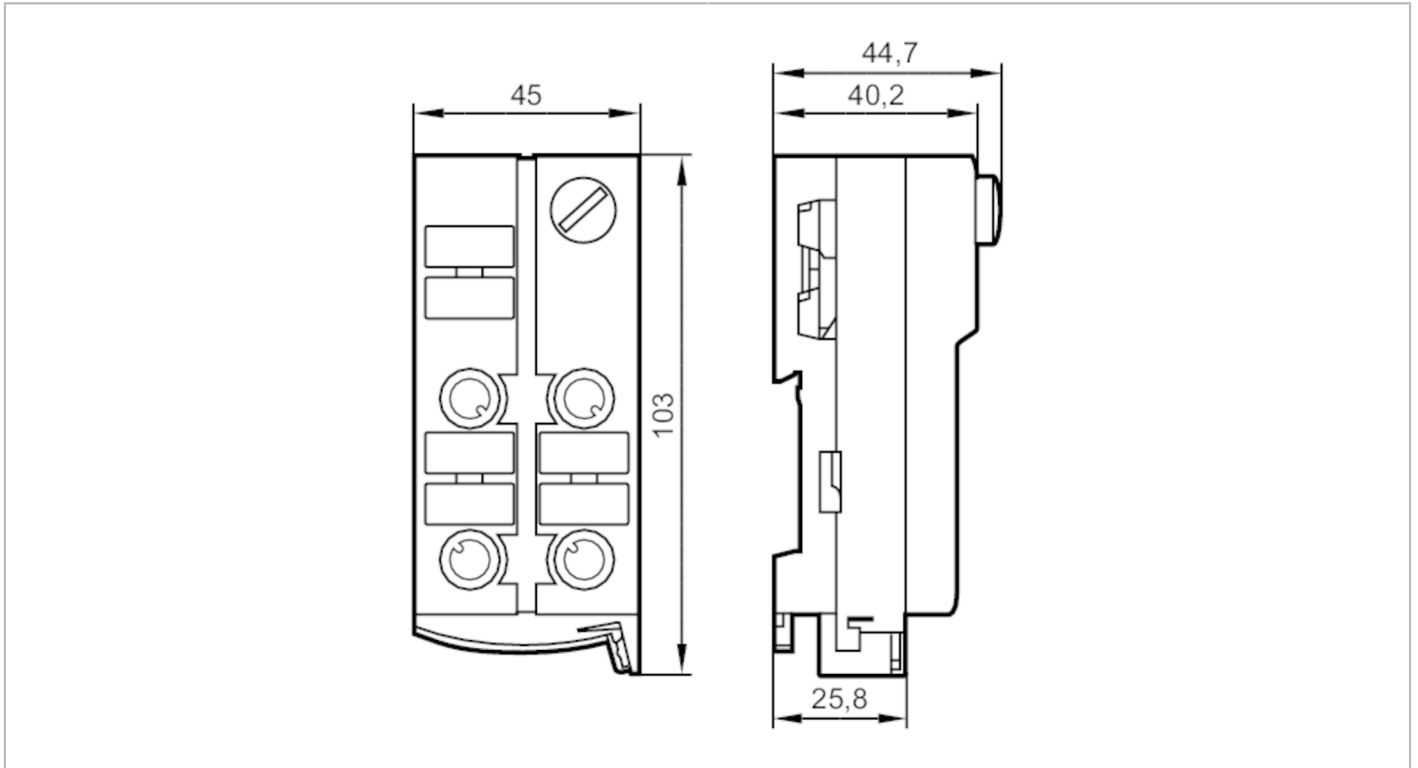




## AS-Interface ClassicLine module with quick mounting technology

ClassicLine 4DI-Y IP67



Electrical data	
Operating voltage	[V] 26.5...31.6 DC
Max. current consumption from AS-i	[mA] 250
Max. current load total	[A] 4; (max. current rating of the piercing points )
Inputs / outputs	
Number of inputs and outputs	Number of digital inputs: 4
Inputs	
Number of digital inputs	4
Input circuit of digital inputs	PNP
Sensor supply of the inputs	AS-i
Voltage supply	[V] 18...30; (via flat cable)
Max. total current rating of inputs	[mA] 200
Input current High	[mA] 6...10
Input current Low	[mA] 0...2
Min. switching level high signal	[V] 11
Digital inputs protected against short circuits	yes
Operating conditions	
Ambient temperature	[°C] -25...70
Protection	IP 67



## AS-Interface ClassicLine module with quick mounting technology

ClassicLine 4DI-Y IP67

Tests / approvals					
EMC	EN 50295				
	IEC 61000-6-2				
MTTF	[years]	405			
AS-i classification					
AS-i version	2.11 + 3.0				
AS-i addressing	addressing socket				
Extended addressing mode possible	yes				
AS-i profile	S-0.A.E				
AS-i I/O configuration	[hex]	0			
AS-i ID code	[hex]	A.E			
AS-i certificate pending	yes				
Assignment of the data bits	data bit	D0	D1	D2	D3
	input	1	2	3	4
	socket	I-1/2	I-1/2 I-2	I-3/4	I-3/4 I-4
	pin	4	2 4	4	2 4
Mechanical data					
Weight	[g]	180.5			
Type of mounting	AS-i flat cables directly connectable				
Materials	PA; piercing contacts: CuSn6 nickel-plated and tin-plated				
Displays / operating elements					
Display	operation	LED, green			
	errors	LED, red			
	function	LED, yellow			
Accessories					
Accessories (supplied)	lower part flat cable blank				
Accessories (optional)	Protective cap: M12, E73004				
Remarks					
Remarks	operating voltage "supply class 2" according to cULus				
	The module allows the distribution of the AS-i voltage.				
	Flat cable blank to cover the unused cable entry.				
	Do not connect any of the following points to an external potential: I-, I+, I-1/2, I-2, I-3/4, I-4				
Pack quantity	The connections are electrically connected with the AS-i cable.				
	1 pcs.				



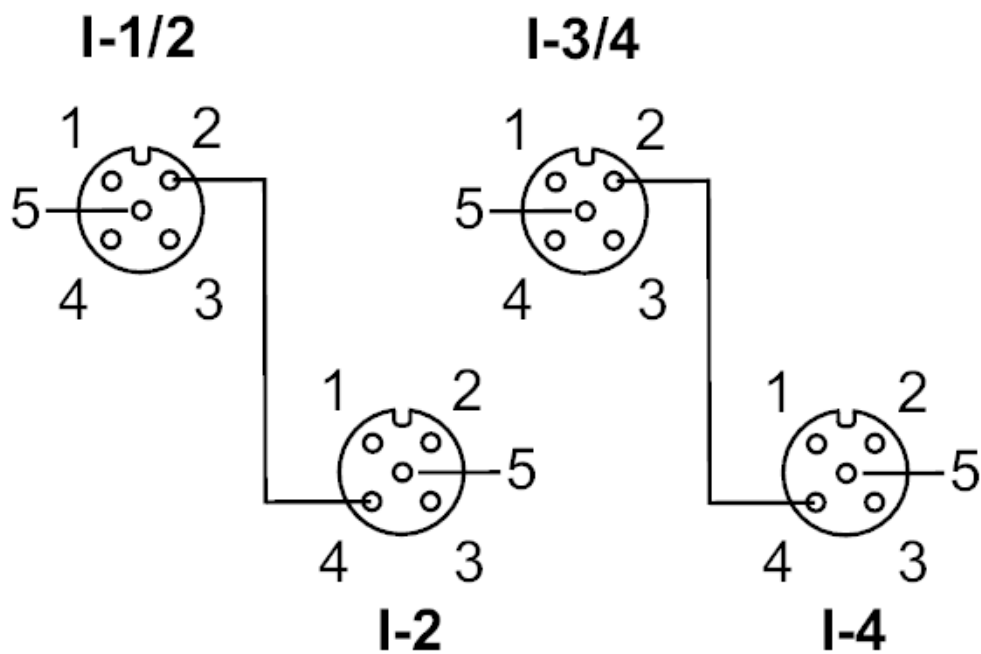
## AS-Interface ClassicLine module with quick mounting technology

ClassicLine 4DI-Y IP67

### Electrical connection

quick mounting technology for AS-i flat cable: ; three orientations possible

### Connection



# AC5291



## AS-Interface ClassicLine module with quick mounting technology

ClassicLine 4DI-Y IP67

	Inputs
	socket I-1/2
1	Sensor supply L+
2	data input 2
3	Sensor supply L-
4	data input 1
5	not used
	socket I-2
1	Sensor supply L+
2	not used
3	Sensor supply L-
4	data input 2
5	not used
	socket I-3/4
1	voltage supply L+
2	data input 4
3	Sensor supply L-
4	data input 3
5	not used
	socket I-4
1	Sensor supply L+
2	not used
3	Sensor supply L-
4	data input 4
5	not used

Connector: M12