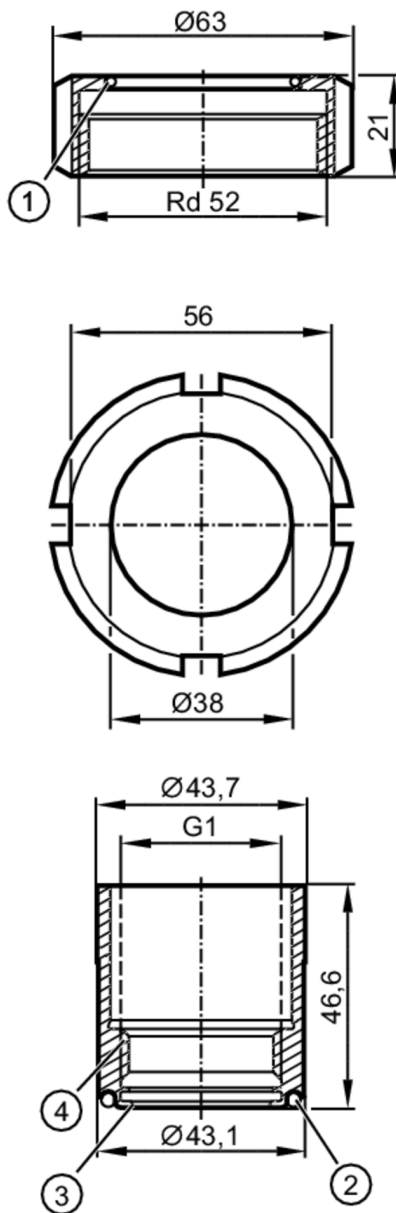


E33340



Process adapter pipe fitting

ADAPT UNI RD52



- 1 O-ring 38 x 2 (FKM) FDA compliant
- 2 O-ring 36 x 3 (EPDM) FDA compliant
- 3 sealing area
- 4 Aseptoflex Vario

EC 1935/2004

Application

Pressure rating [bar] 16

Tests / approvals

Pressure Equipment Directive

A possible classification to PED depends on the application and has to be carried out by the user / operator.

Safety instructions

The compatibility between medium and product material has to be checked in all applications.

E33340



Process adapter pipe fitting

ADAPT UNI RD52

Mechanical data	
Weight [g]	364.5
Materials	stainless steel (1.4435 / 316L)
Sensor connection	G 1 external thread Aseptoflex Vario
Process connection	universal process adapter Rd52
Surface characteristics Ra/Rz of the wetted parts	0.4 / 4
Sealing	Gasket
Hygienic equipment class to DIN 11866	H4
Accessories	
Accessories (supplied)	O-rings: 1 x 24 x 2 (EPDM), FDA compliant
Accessories (optional)	O-ring: 1 x 24 x 2 (FKM), FDA compliant, E30123 sealing ring: 1 x PEEK, FDA compliant, E30124
Remarks	
Pack quantity	1 pcs.