

MOTOR SUPPRESSOR

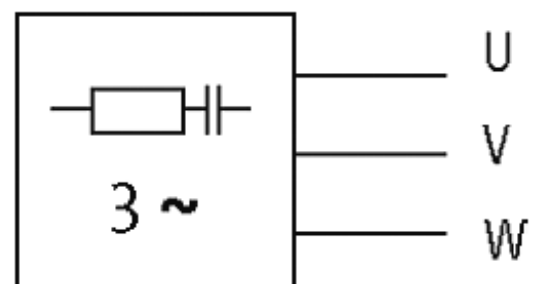
RC, 3x575VAC/5,5kW

3 × 400 V AC

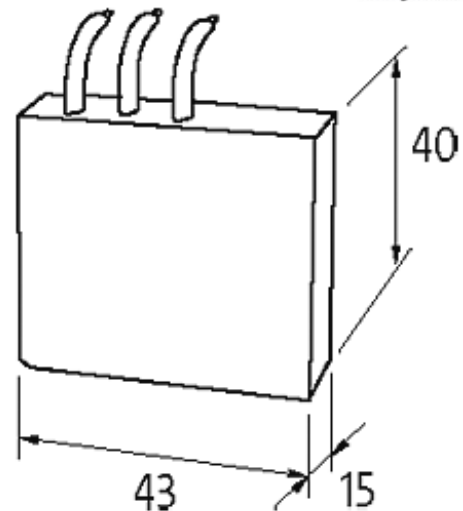
3 × 575 V AC

RC

Suppressors for other voltages, frequencies, and motor ratings available on request. Do not use RC motor suppressors with frequency inverters.

[Link to Product](#)**Illustration**

RC

stay connected

Product may differ from Image

Approvals



Appropriate contactors

Siemens 3 RT 10, 3 RT 20 screw terminal

Technical Data

Frequency	50...60 Hz
Material	Flame retardant plastic acc. to (UL 94)
Potting compound	2-component epoxy

General data

Temperature range	-20...+60 °C
Connection	Screw terminals
Dimensions H × W × D	40×43×15 mm

Commercial data

country of origin	CZ
customs tariff number	85363010
minimum order quantity	1