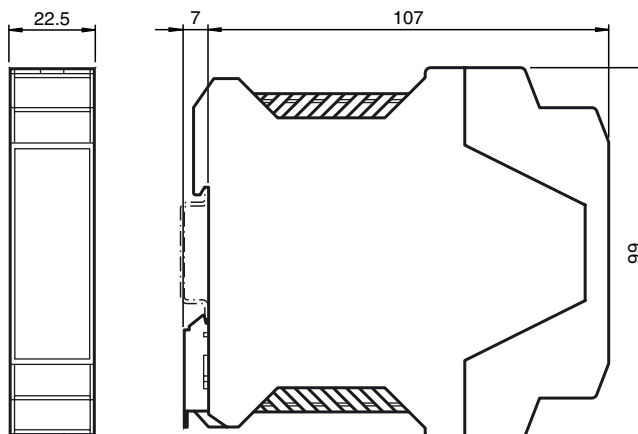
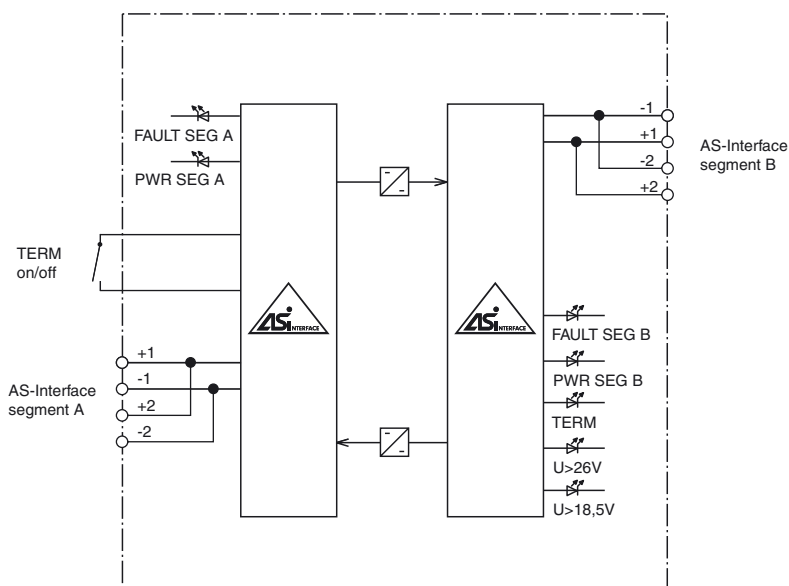




Dimensions



Electrical connection



Model number

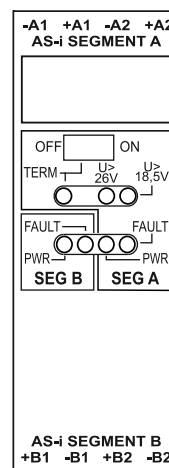
VAR-KE3-TERM

AS-Interface advanced repeater with terminator

Features

- Minimum delay of signal
- Line lengthening by 100 m (max. 2 repeater in series)
- Galvanic isolation between AS-Interface segments A and B
- No parameterization
- Need no specific address on the AS-Interface bus
- Housing with removable terminals
- The integrated terminator permits up to 200 m network lengths on Segment A

Indicating / Operating means



Release date: 2014-06-18 10:43 Date of issue: 2014-06-18 205988\_eng.xml

Refer to "General Notes Relating to Pepperl+Fuchs Product Information".

Pepperl+Fuchs Group  
www.pepperl-fuchs.com

USA: +1 330 486 0001  
fa-info@us.pepperl-fuchs.com

Germany: +49 621 776 4411  
fa-info@de.pepperl-fuchs.com

Singapore: +65 6779 9091  
fa-info@sg.pepperl-fuchs.com

**Technical data****General specifications**

AS-Interface specification	V3.0
Required master specification	≥ V2.0
UL File Number	E223772

**Functional safety related parameters**

MTTF <sub>d</sub>	155 a
-------------------	-------

**Indicators/operating means**

Switch	TERM ON/OFF switches the segment A terminator on/off
LED FAULT SEG A	Segment A error display; red LED red: communication error
LED FAULT SEG B	Segment B error display; red LED red: communication error
LED PWR SEG A	AS interface voltage segment A; green LED
LED PWR SEG B	AS-Interface voltage segment B; green LED
LED TERM	Segment A bus terminator switched on
LED U>26V	Segment A voltage > 26 V
LED U>18,5V	Segment A voltage > 18.5 V

**Electrical specifications**

Insulation voltage	U <sub>i</sub>	≥ 500 V
Rated operating voltage	U <sub>e</sub>	26.5 ... 31.6 V from AS-Interface
Rated operating current	I <sub>e</sub>	60 mA (per strand element), 120 mA (total)

**Ambient conditions**

Ambient temperature	0 ... 55 °C (32 ... 131 °F)
Storage temperature	-25 ... 75 °C (-13 ... 167 °F)

**Mechanical specifications**

Degree of protection	IP20 according to EN 60529
Connection	removable terminals, terminal connection ≤ 2.5 mm <sup>2</sup>
Material	
Housing	PA 66-FR
Mounting	DIN mounting rail

**Compliance with standards and directives**

Directive conformity	
EMC Directive 2004/108/EC	EN 61000-6-2:2005, EN 61000-6-4:2007, EN 50295:1999 EN 61000-6-3:2001 IEC 62026-2:2008

**Function**

The Advanced-Repeater VAR-KE3-TERM galvanically separates two AS-Interface circuits, and conditions the AS-Interface signals electrically, which extends the cable length by 100 m. The Advanced-Repeater includes a Bus Termination, permitting a line extension of up to 200 m. The Bus Termination is switchable. Two repeaters can be cascaded, resulting in a maximum cable length of 300 m. With one Bus Termination included in line, the maximum circuit extension is up to approximately 600 m.

The Advanced-Repeater features an alignment between sender and receiver that has been optimized even further and offers a shorter delay when the signals pass through the Advanced-Repeater.

The Advanced-Repeater does not require any parameterisation and no own address in the AS-Interface; the overall number of slaves (31 or 62) per branch remains unchanged.

The housing, only 22.5 mm in width, takes up little place in the switch cabinet. The module is mounted by snapping it on to the 35 mm mounting rail in keeping with European standard EN 50022. Pluggable screw terminals are used for connection. This method of mounting permits easy removal during initial operation or servicing.

On account of the galvanic separation, each segment requires a power supply unit or a power extender.

Two LEDs indicate the correct polarity of the AS-Interface cables; two LEDs indicate any communication errors in the respective AS-Interface circuits.