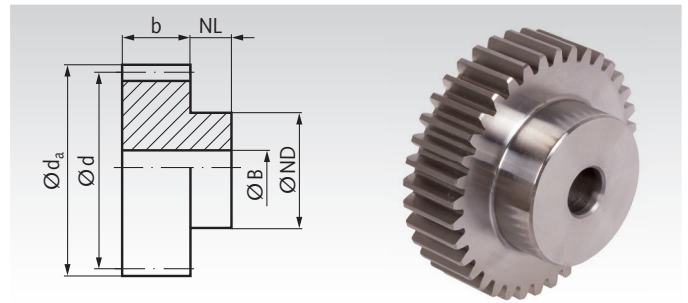


Spur Gears Made from Stainless Steel with One-Sided Hub, Milled Teeth, Straight Tooth System, Wide Version

Material: Stainless steel 1.4305 (AISI 303).

Tooth quality 8d25 DIN 3967.

Pressure angle 20°.



Ordering Details: e.g.: Product No. 233 992 12, Spur Gear, Stainless Steel, Module 3, 12 Teeth

Module 3 Tooth Width b = 30 mm

Product No.	Number of teeth	b mm	d _a mm	d mm	NL mm	ND mm	BH7 mm	perm. MT* Nm	Weight kg
233 992 12	12	30	42	36	20	27	12	4,95	0,28
233 992 14	14	30	48	42	20	33	12	6,21	0,41
233 992 15	15	30	51	45	20	35	12	6,90	0,47
233 992 16	16	30	54	48	20	38	14	7,48	0,54
233 992 18	18	30	60	54	20	45	14	8,74	0,72
233 992 20	20	30	66	60	20	45	14	11,3	0,84
233 992 22	22	30	72	66	20	50	16	14,0	1,02
233 992 24	24	30	78	72	20	50	16	17,3	1,18
233 992 25	25	30	81	75	20	60	16	19,1	1,39
233 992 28	28	30	90	84	20	60	16	24,8	1,66
233 992 30	30	30	96	90	20	60	16	29,2	1,85
233 992 35	35	30	111	105	20	70	16	39,0	2,55
233 992 36	36	30	114	108	20	70	20	42	2,62
233 992 40	40	30	126	120	20	80	20	57	3,31
233 992 45	45	30	141	135	20	90	20	75	4,22
233 992 48	48	30	150	144	20	100	20	89	4,92
233 992 50	50	30	156	150	20	100	20	101	5,18
233 992 60	60	30	186	180	20	100	20	172	6,97

Module 4 Tooth Width b = 40 mm

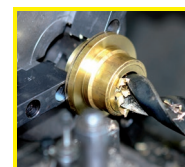
Product No.	Number of teeth	b mm	d _a mm	d mm	NL mm	ND mm	BH7 mm	perm. MT* Nm	Weight kg
234 992 12	12	40	56	48	20	35	14	12,3	0,63
234 992 13	13	40	60	52	20	40	14	14,0	0,78
234 992 14	14	40	64	56	20	45	14	15,5	0,93
234 992 15	15	40	68	60	20	45	14	17,3	1,05
234 992 16	16	40	72	64	20	50	16	18,4	1,20
234 992 18	18	40	80	72	20	50	16	21,9	1,47
234 992 20	20	40	88	80	20	60	16	28,3	1,90
234 992 24	24	40	104	96	20	75	20	44	2,79
234 992 25	25	40	108	100	20	75	20	50	2,98
234 992 30	30	40	128	120	20	75	20	75	4,06
234 992 35	35	40	148	140	20	80	20	106	5,43
234 992 40	40	40	168	160	20	80	25	156	6,74
234 992 45	45	40	188	180	20	90	25	220	8,58
234 992 48	48	40	200	192	20	100	25	268	9,90
234 992 50	50	40	208	200	20	100	25	300	10,66
234 992 60	60	40	248	240	20	100	25	478	14,92

* Basis of calculations see page 235.

Gears Stainless Module 1.59 and 3.18 Page 292

Gear Racks stainless Page 308

Round Gear Racks stainless Page 310



**Reworking within
24h-service possible.
Custom made parts
on request.**