

# Switch Emergency Stop

**multicomp** PRO



## Specifications:

External Depth	: 49.2mm
External Diameter	: 24mm
Lead Spacing	: 2.5mm
Panel Cutout Diameter	: 16mm
Panel Thickness Max.	: 5mm
Terminal Type	: PCB Pins

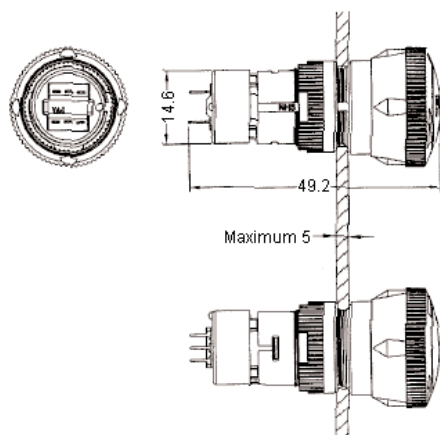
## Electrical:

Maximum Switching Power	: 30V DC
Maximum Switching Voltage	: 32V DC
Maximum Switching Current	: 100mA DC
Dielectric Strength (50Hz/1 Minute)	: 750V between open contacts

## Operating Life:

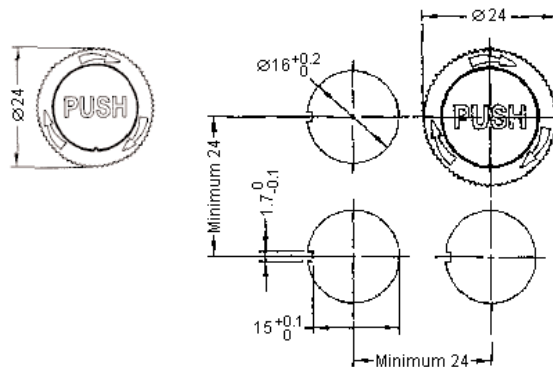
OA (Momentary)	: $\geq 1 \times 10^5$ operations
EE (Push-Push)	: $\geq 1 \times 10^5$ operations
Contact Resistance	: Initial $\geq 100\text{m}\Omega$ ; 50m $\Omega$ : Afer life 150m $\Omega$
Insulation Resistance	: $\geq 10^{10}\Omega$
Bounce Time	: $\leq 3\text{ms}$

## Plug-in Emergency Stop Switch



Dimensions : Millimetres

## Hole Diameter



## Part Number Table

Description	Part Number
Emergency Stop Switch - AC Switching	MCOS38009

**Important Notice** : This data sheet and its contents (the "Information") belong to the members of the AVNET group of companies (the "Group") or are licensed to it. No licence is granted for the use of it other than for information purposes in connection with the products to which it relates. No licence of any intellectual property rights is granted. The Information is subject to change without notice and replaces all data sheets previously supplied. The Information supplied is believed to be accurate but the Group assumes no responsibility for its accuracy or completeness, any error in or omission from it or for any use made of it. Users of this data sheet should check for themselves the Information and the suitability of the products for their purpose and not make any assumptions based on information included or omitted. Liability for loss or damage resulting from any reliance on the Information or use of it (including liability resulting from negligence or where the Group was aware of the possibility of such loss or damage arising) is excluded. This will not operate to limit or restrict the Group's liability for death or personal injury resulting from its negligence. Multicomp Pro is the registered trademark of Premier Farnell Limited 2019.

Newark.com/multicomp-pro  
Farnell.com/multicomp-pro  
Element14.com/multicomp-pro

**multicomp** PRO