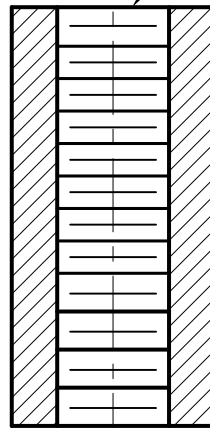
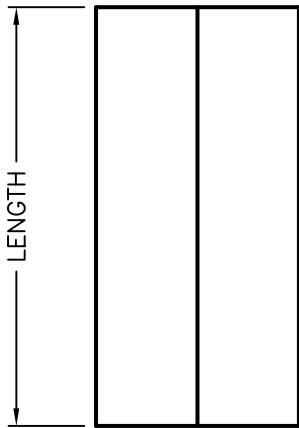
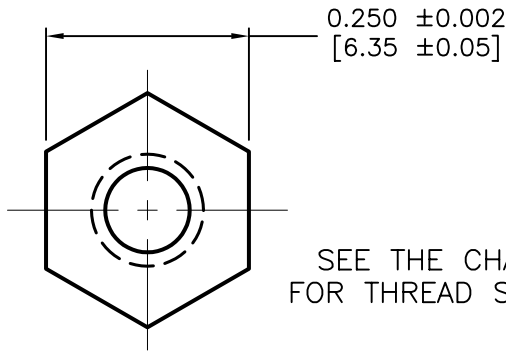


REVISIONS			DOC. NO. SPC-F004 * Effective: 7/8/02 * DCP No: 1398					
DCP #	REV	DESCRIPTION	DRAWN	DATE	CHECKD	DATE	APPRVD	DATE
564	C	REVISED & ADDED MORE PARTS	HYO	4/3/00	JC	6/5/00	JC	6/5/00
1892	D	Update To RoHS Compliant	EO	3/14/06	HO	3/15/06	HO	3/15/06



SPC Type No.	THREAD SIZE	LENGTH (INCHES)
HTB-4-250-A	4-40	0.250
HTB-4-375-A		0.375
HTB-4-500-A		0.500
2747		0.625
HTB-4-750-A		0.750
2748		0.875
HTB-4-1000-A		1.000
2749		1.500
2750		2.000
HTB-6-250-A		6-32
HTB-6-375-A	0.375	
HTB-6-500-A	0.500	
2744	0.625	
HTB-6-750-A	0.750	
2751	0.875	
HTB-6-1000-A	1.000	
2745	1.500	
2746	2.000	
HTB-8-250-A	8-32	0.250
HTB-8-375-A		0.375
HTB-8-500-A		0.500
2752		0.625
HTB-8-750-A		0.750
2753		0.875
HTB-8-1000-A		1.000
2754	1.500	
2755	2.000	

**NOTES:**

1. MATERIAL: BRASS, ASTM-B16
2. FINISH: ZINC, PLATED PER QQ-Z-325B
3. SPACERS OVER 1.00 LONG ARE TAPPED 0.375 DEEP EACH END

TOLERANCES:  UNLESS OTHERWISE SPECIFIED DECIMALS .XXX ± 0.005 [0.15]	DRAWN BY:	DATE:	DRAWING TITLE:			
	J.P.	4/12/93	HEX STANDOFF, THREADED, BRASS			
	CHECKED BY:	DATE:	SIZE	DWG. NO.	ELECTRONIC FILE	REV
	J.C.	4/13/93	A	TA-246	TA-246.DWG	D
APPROVED BY:	DATE:	SCALE: NTS		U.O.M.: INCHES [mm]	SHEET: 1 OF 1	
K.D.	4/13/93					