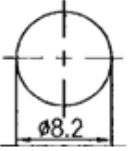
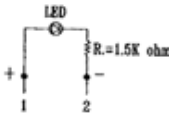
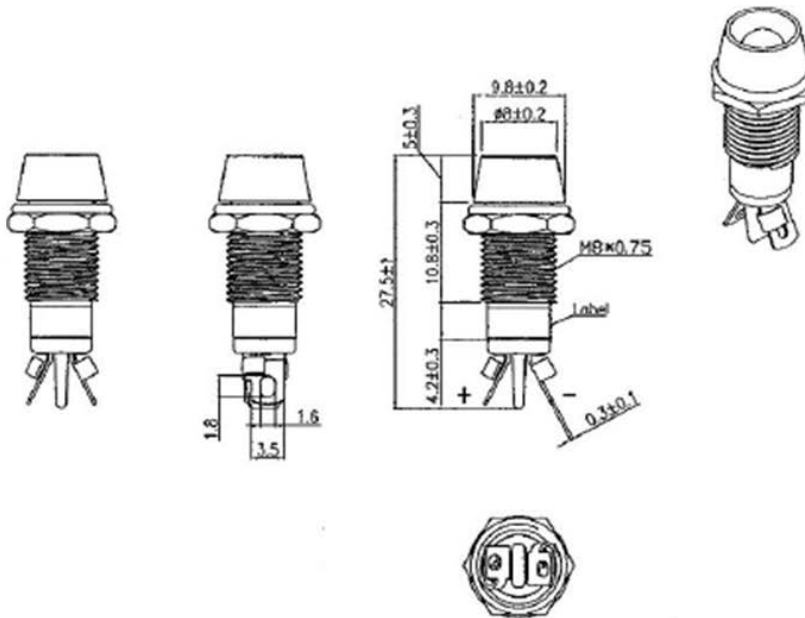


LED indicator, Yellow, 24V DC, 5mm

Rating	24V DC	Mounting Hole	Circuit Diagram		
Life	100,000/ hrs				
Insulation Resistance	DC 500V 100M ohm Min.				
Dielectric Strength	AC 500V 1 minute				
Operation Temperature	(-)-20°C-+85°C				
LED Color	LED Lens Color	VF	IF	View Angle	Mcd
Red	Color diffuse	3.5V	20mA	30°	100
Yellow	Color diffuse	3.5V	20mA	30°	100
Green	Color diffuse	2.1V	20mA	15°	90



Unit: mm

Remark:

1. LED Type : Ø5 mm
2. Unless otherwise specified all tolerances to be ±3

This is a publication by Conrad Electronic SE, Klaus-Conrad-Str. 1, D-92240 Hirschau (www.conrad.com).

All rights including translation reserved. Reproduction by any method, e.g. photocopy, microfilming, or the capture in electronic data processing systems require the prior written approval by the editor. Reprinting, also in part, is prohibited. This publication represents the technical status at the time of printing.

© Copyright 2017 by Conrad Electronic SE.