



## Double pilot controlled check valve for realising 5/3 way function with all ports blocked

- Compact design
- for single valve or valve unit
- fast reaction times
- high degree of tightness throughout service life
- with manual override

Product variants described in the data sheet may differ from the product presentation and description.

### Can be combined with



**Type 8644** ▶  
Remote Process Actuation Control System AirLINE



**Type 6524** ▶  
3/2 way or 2 x 3/2 way Solenoid Valve for pneumatics



**Type 5470** ▶  
3/2 or 4/2 way Solenoid Valve for pneumatics

### Type description

Two check valves are integrated in Type 0498. If this double pilot controlled check valve is combined with two 3/2 way valves, a 5/3 way function with all parts blocked (circuit function L) can then be released.

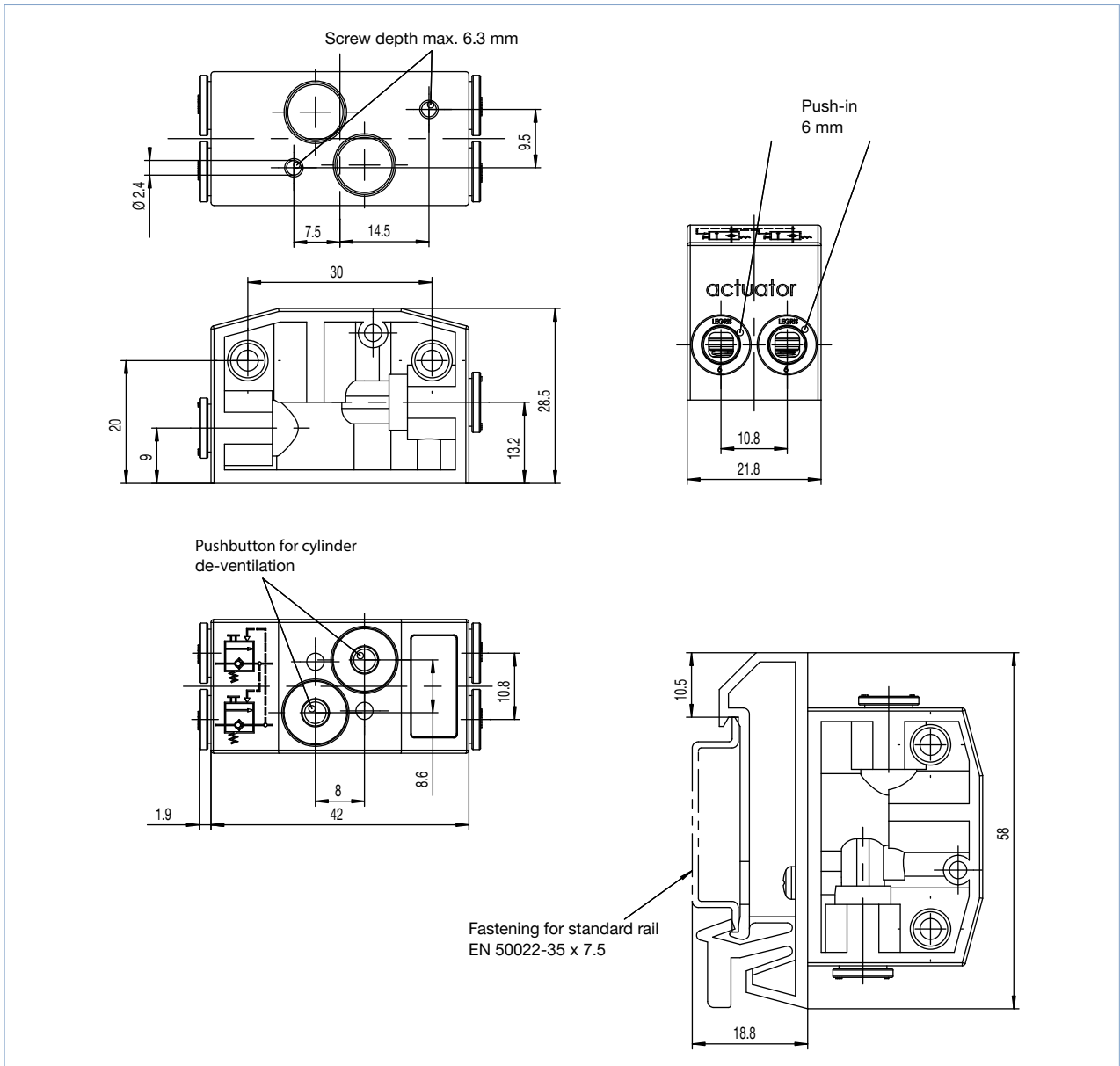
## Table of contents

<b>1. General Technical Data</b>	<b>3</b>
<b>2. Dimensions</b>	<b>4</b>
<b>3. Product design and assembly</b>	<b>5</b>
3.1. Application examples.....	5
<b>4. Ordering information</b>	<b>5</b>
4.1. Bürkert eShop – Easy ordering and quick delivery.....	5
4.2. Bürkert product filter.....	5
4.3. Ordering chart.....	5

## 1. General Technical Data

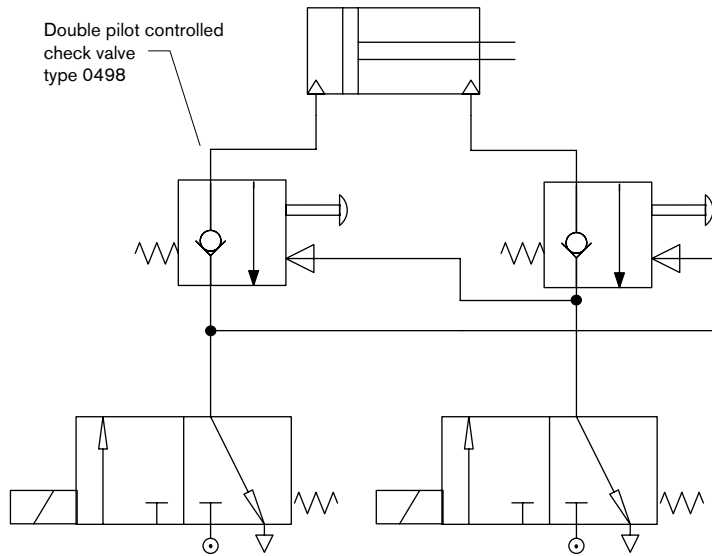
Product properties	
Dimensions	Detailed information can be found in chapter "2. Dimensions" on page 4.
Material	
Body	PA (polyamide)
Seal	NBR
Manual override	Standard
Nominal diameter	DN4.0
Weight	33 g (45 g with mounting base)
Performance data	
Flow-rate air ( $Q_{N_2}$ )	Measured at +20 °C, 6 bar pressure at valve inlet and 1 bar pressure difference
Pressure values	Gauge pressures with respect to the prevailing atmospheric pressure
Response times	Measured according to ISO 12238
Media data	
Media	Compressed air oiled, oil-free, dry, neutral gases (5 µm filter recommended)
Media temperature	-10...+50 °C
Process/Port connection & communication	
Port connection	Push-in 6 mm
Environment and installation	
Installation position	As required
Ambient temperature	-10...+55 °C
Mounting	Circuit installation or optionally with mounting base

2. Dimensions




### 3. Product design and assembly

#### 3.1. Application examples



### 4. Ordering information

#### 4.1. Bürkert eShop – Easy ordering and quick delivery

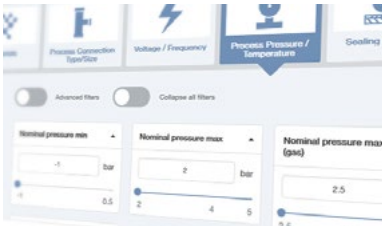


**Bürkert eShop – Easy ordering and fast delivery**

You want to find your desired Bürkert product or spare part quickly and order directly? Our online shop is available for you 24/7. Sign up and enjoy all the benefits.

[Order online now](#)

#### 4.2. Bürkert product filter



**Bürkert product filter – Get quickly to the right product**

You want to select products comfortably based on your technical requirements? Use the Bürkert product filter and find suitable articles for your application quickly and easily.

[Try out our product filter](#)

#### 4.3. Ordering chart

Version	DN [mm]	Port connection	Pressure range [bar]	Flow rate [l/min]	Article no.
Without mounting base	4	Push-in 6 mm	2...10	300	167126
With mounting base	4	Push-in 6 mm	2...10	300	167127

# Bürkert – Close to You

For up-to-date addresses  
please visit us at  
[www.burkert.com](http://www.burkert.com)

DTS 1000085808 EN Version: B Status: RL (released | freigegeben | validé) printed: 29.10.2019

