

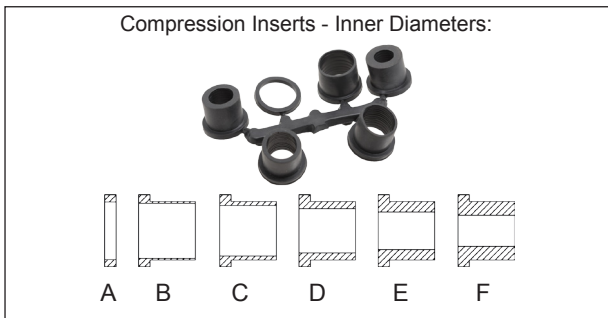
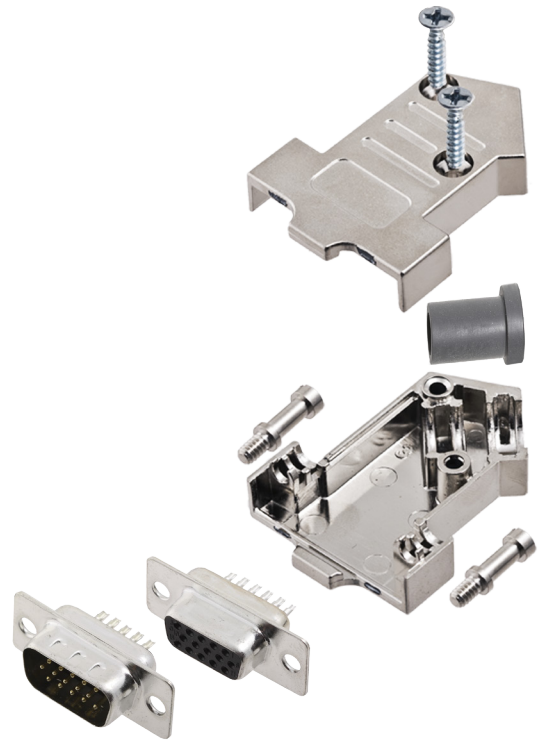
TECHNICAL SPECIFICATIONS

D-Sub Hood:

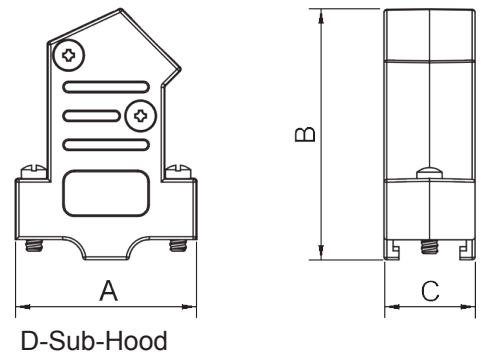
Material: UL Recognised Plastic Material
 Plating: Nickel over Copper
 Operating Temperature: -55°C to +110°C
 Cable Entry: Side Entry
 Thumbscrews: UNC 4-40 (Standard)
 Cable O.D: Up to 13mm

D-Sub High Density:

Insulator: PBT, Black, UL94 V-0
 Shell: Stamped Steel, Tin Plated
 Contact pins: Copper Alloy
 Stamped & Formed pins: 100 inserts min
 Contacts Plating: Selective Gold over Nickel
 Operating Temperature: -55°C to +105°C
 Withstanding voltage: 500V for 1 minute
 Insulator resistance: 500MΩ min



Size	A	B	C	D	E	F
9/15	8,10	8,00	7,25	6,50	5,30	-
25	11,40	10,40	9,40	7,60	5,80	-



Size D45NT	Dim A	Dim B	Dim C
9-way	31,5	43,5	15,8
15-way	39,9	43,5	15,8
25-way	54,0	47,5	15,8

Ordering information:

D-Sub Connector Kits (100 inserts min.)

Size:	P/N - Kitted:	Product Code - MALE Conn. Kit
HD 15	6355-0073-01	D45NT09-M-HDP15-K
HD 26	6355-0073-02	D45NT15-M-HDP26-K
HD 44	6355-0073-03	D45NT25-M-HDP44-K

Size:	P/N - Kitted:	Product Code - FEMALE Conn. Kit
HD 15	6355-0073-11	D45NT09-M-HDS15-K
HD 26	6355-0073-12	D45NT15-M-HDS26-K
HD 44	6355-0073-13	D45NT25-M-HDS44-K