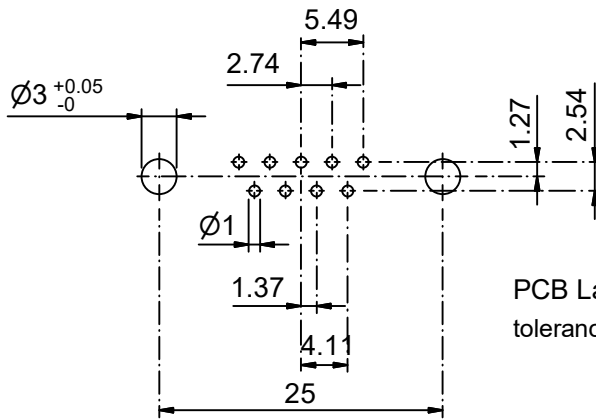
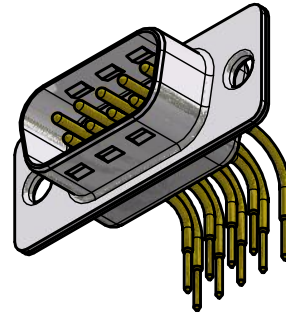
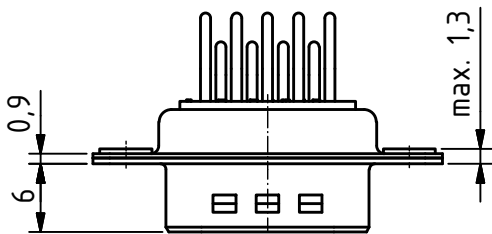
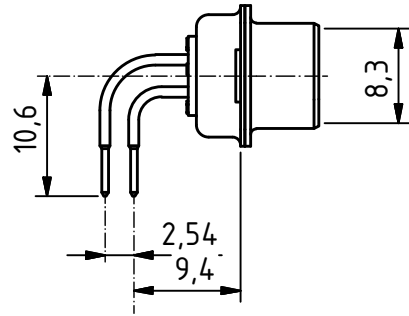
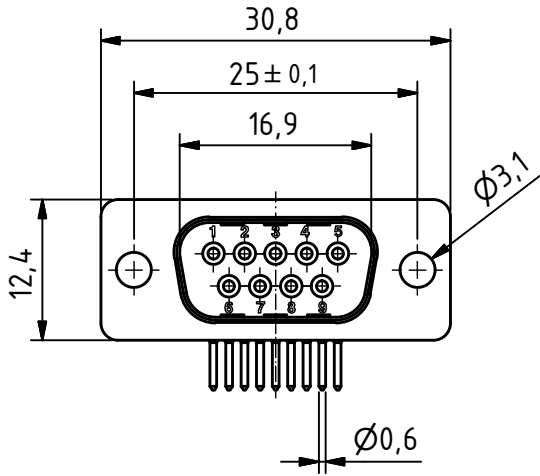


RoHS compliant



PCB Layout
tolerances +/-0.1

Product is
suitable for
Wave Solder
Process

MATERIALS

- Insulator: Thermoplastic UL 94-V-0 white
- Contact: Machined / Copper alloy
- Contact finish: Quality class 2
- Shell: steel tin plated

CHARAKTERISTICS

- Working voltage: 125V
- Current rating: 7.5A
- Contact resistance: max. 10mΩ - DIN41652
- Insulation resistance: >5GΩ
- Temperature range: -55° to +125°C

General tolerances (Deltron standard)			
size in mm	> 0.5 up to 3	> 3 up to 6	> 6 up to 30
tolerances	±0.1	±0.2	±0.3
	up to 30	up to 120	

	All dimensions in mm	Rev. a) 28.06.2008 mr	Rev.	Rev.	DE001302		
		Rev.	Rev.	Rev.	part no.		
DTS09PYC/2				1.5:1 scale	drawn	12.02.2006	mr
					checked		
				approved			
				Industrie Neuhof 8c CH-3422 Kirchberg www.d-sub.swiss		K050063 a	
						drawing no.	