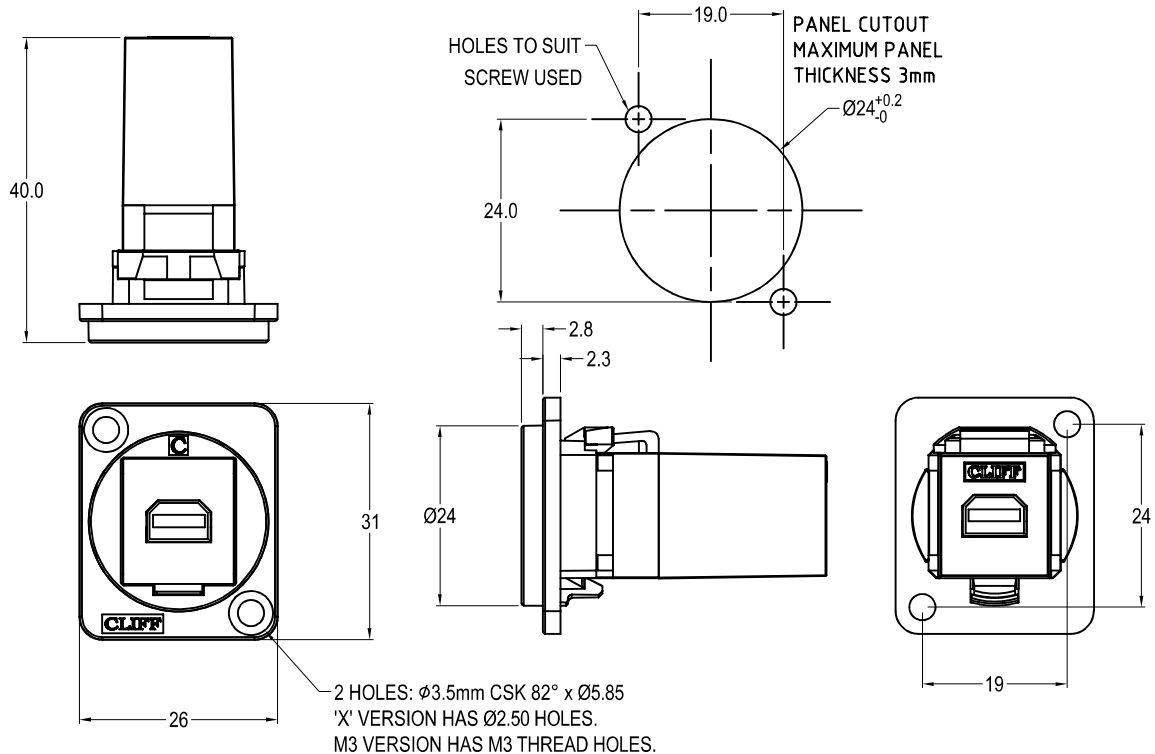


CLIFF

MINI DISPLAYPORT FEEDTHROUGH CONNECTOR



Feedthrough Features

- Fits standard XLR Ø24mm cutout.
- No soldering or punch termination. Use standard cable for each connector style.
- Front or rear mounted.
- Low rear profile

General:

Please note: Functionality is affected by cable quality, length and cable wiring configuration.

Other models available:

Part No.

CP30202	Mini Displayport Black plastic frame, CSK holes
CP30202M	Mini Displayport Nickel plated metal frame, CSK holes
CP30202M3	Mini Displayport Nickel plated metal frame, M3 holes
CP30202MB	Mini Displayport Black metal frame, CSK holes
CP30202M3B	Mini Displayport Black metal frame, M3 holes
CP30202X	Mini Displayport Black plastic frame, PLAIN holes

Material:

1. Insert: ABS UL94 HB
2. Plastic Frame: Polyamide UL94 V-2
3. Metal Frame: Diecast, Black or Nickel plated
4. Shell: Nickel plated
5. Contacts: Gold Plated