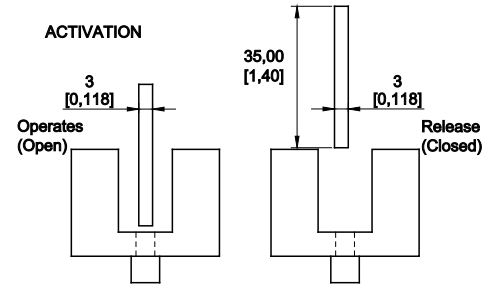
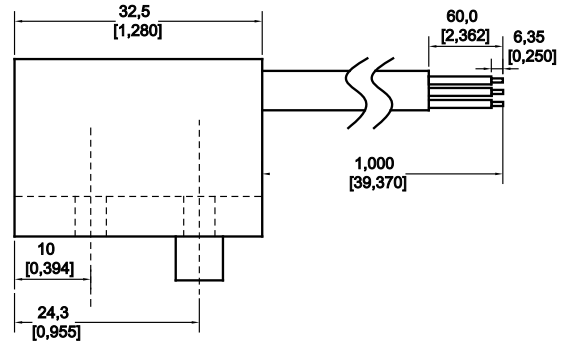
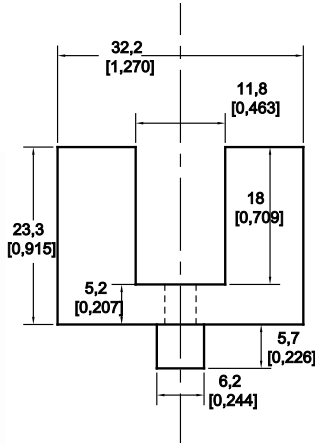
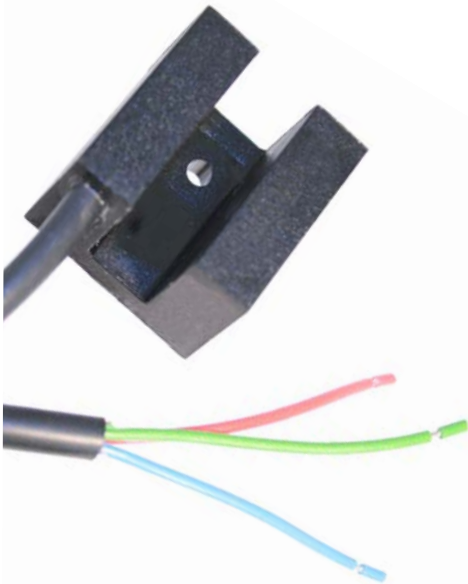


Vane Proximity Sensor - Changeover Contacts

Part Number : PRC-SP-009
Product Data Sheet

PICTURE	DIMENSIONS
---------	------------



Drawings not to scale
All dimensions in mm nominal

✓ RoHS Compliant

SPECIFICATION

Contact Form / Style	Changeover (Detection of ferrous metals)	
Switching Voltage	Max Volts AC	175
Switching Current	Max Amps	0.4
Switching Capacity (Resistive)	Max W/VA	5
Carry Current	Max Amps	0.5
Activation Density	Min mm	3 (Based on Steel at least length of sensor)
Contact Resistance	Max mOhms	120
Operating Temperature	Celsius	-20° to 85°
Case Material	Black ABS	
Cable 3 x Round 0.50mm ² Black PVC Insulated	Red - N/C, Blue - N/O, Green - Common	

Applications Include

- Position and limit sensing.
- Production line sensing.
- Safety guard switching.
- Conveyor part counting.

Options

- Custom made housing / Slot size
- Normally Closed version available.
- Custom cable types, cable lengths, connectors or crimp terminals available.
- If you do not see what you need, just ask, as there is a strong possibility we can do it !

Did you know we also sell?



Rev. No.

Revision Note

Date

Signature

2

Cable note

06-12-12

ML



As part of the company policy of continued product improvement, specifications may change without notice. Our sales office will be pleased to help you with the latest information on this product range and the details of our full design and manufacturing service. All products are supplied to our standard conditions of sale unless otherwise agreed in writing.

Phone : +44 (0)1255 862236

www.assemtech.co.uk

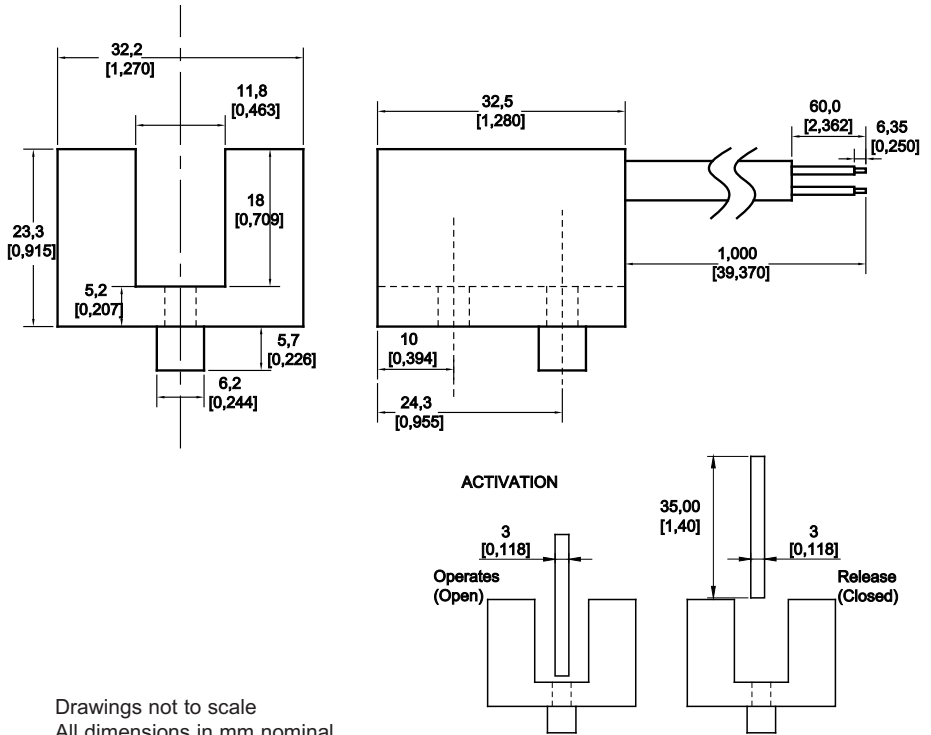
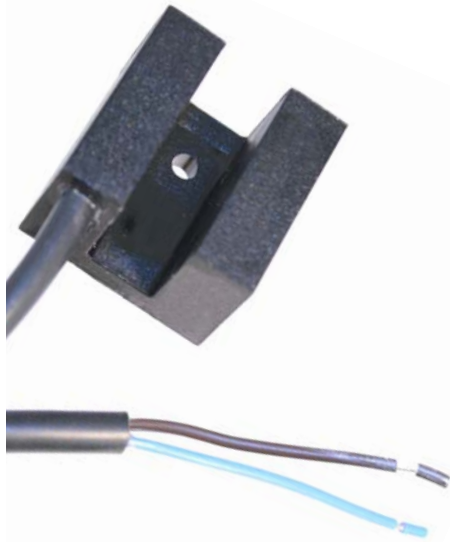
Fax: +44 (0)1255 862014

©2012 Copyright Assemtech Europe Ltd, Unit 7, Rice Bridge Industrial Estate, Thorpe - Le - Soken, Essex, CO16 0HL, ENGLAND.
USA: Comus International:+1 973 777 6900, Belgium: Comus Belgium BVBA: +32 (0)12 390400



Vane Proximity Sensor - Normally Closed Contacts
Part Number : 78-4033 (PRB-SP-019)
Product Data Sheet

PICTURE **DIMENSIONS**



Drawings not to scale
 All dimensions in mm nominal

✓ RoHS Compliant

SPECIFICATION

Contact Form / Style	Normally Closed (Detection of ferrous metals)	
Switching Voltage	Max Volts AC	400
Switching Current	Max Amps	0.5
Switching Capacity (Resistive)	Max W/VA	10
Carry Current	Max Amps	1.0
Activation Density	Min mm	3 (Based on Steel at least length of sensor)
Contact Resistance	Max mOhms	150
Operating Temperature	Celsius	-20° to 85°
Case Material	Black ABS	
Cable	2 x Round 0.50mm ² Black PVC insulated, Brown & Blue	

Applications Include

- Position and limit sensing.
- Production line sensing.
- Safety guard switching.
- Conveyor part counting.

Options

- Custom housing / slot size.
- Normally Open version available.
- Custom cable types, cable lengths, connectors or crimp terminals available.
- If you do not see what you need, just ask, as there is a strong possibility we can do it !

Did you know we also sell?



Rev. No.

2

Revision Note

Activation added

Date

07-08-12

Signature

ML



As part of the company policy of continued product improvement, specifications may change without notice. Our sales office will be pleased to help you with the latest information on this product range and the details of our full design and manufacturing service. All products are supplied to our standard conditions of sale unless otherwise agreed in writing.

Phone : +44 (0)1255 862236

www.comuseurope.co.uk

Fax: +44 (0)1255 862014