

# 3.4V PLCC-2 Surface Mount Green LED

Order code: **56-2996**

MPN: OSPG51B1S

## Features:

- 3.5x2.7x1.9mm Standard Directivity
- Superior Weather-resistance
- UV Resistant Epoxy
- Water Clear Type
- RoHS Compliant



## Applications

- General Purpose Indicators
- Small Area Illuminations
- Back Lighting

## Absolute maximum rating (Ta=25°C)

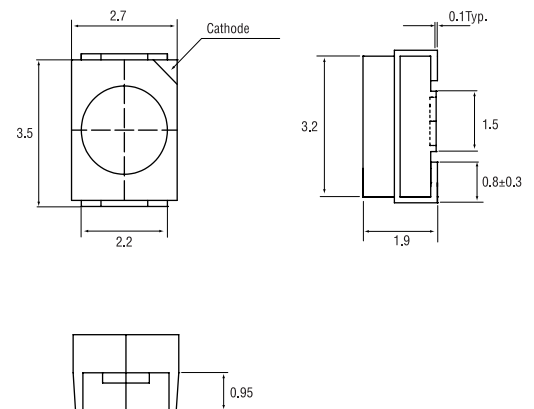
Item	Symbol	Value	Unit
DC Forward current	$I_F$	30	mA
Pulse forward current*	$I_{FP}$	100	mA
Reverse voltage	$V_R$	5	V
Power dissipation	$P_D$	120	mW
Operating temperature	$T_{opr}$	-30 to +80	°C
Storage temperature	$T_{stg}$	-30 to +100	°C
Lead soldering temperature	$T_{sol}$	260°C/3 sec	-

\* Pulse width max. 10ms. Duty ratio max. 1/10

## Electrical - Optical characteristics (Ta=25°C)

Item	Symbol	Condition	Min.	Typ.	Max.	Unit
DC Forward voltage	$V_F$	$I_F=20mA$	2.8	3.4	4.0	V
DC Reverse current	$I_R$	$V_R=5V$	-	-	10	$\mu A$
Dominant wavelength	$\lambda_D$	$I_F=20mA$	520	525	530	
Luminous intensity	$I_v$	$I_F=20mA$	500	750	1120	nm
50% Power angle	$2\theta_{1/2}$	$I_F=20mA$	-	120	-	deg

## Outline dimensions:



## Directivity:

