

Features:

- High luminosity LEDs
- 2.0mm tower standard directivity
- Superior weather-resistance
- UV resistant epoxy
- Integral current limiting resistor
- TTL compatible (requires no external current limiter with 12 volt supply)
- Cost effective (saves space and resistor cost)
- Colour diffused type

Applications

- Electronic signs and signals
- Small area illuminations
- Back lighting
- Other lighting

Absolute maximum rating (Ta=25°C)

Item	Symbol	Value	Unit
DC forward voltage	V_F	12	V
Reverse voltage	V_R	5	V
Power dissipation	P_D	120	mW
Operating temperature	T_{opr}	-30 to +85	°C
Storage temperature	T_{stg}	-40 to +100	°C
Lead soldering temperature	T_{sol}	260°C/5sec	-

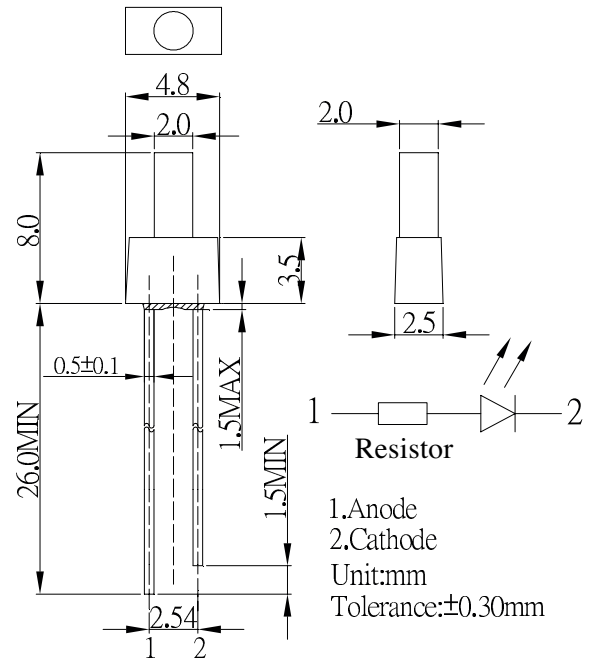
*Pulse width max. 10ms. Duty ratio max. 1/10

Electrical - Optical characteristics (Ta=25°C)

Item	Symbol	Condition	Min.	Typ.	Max.	Unit
DC forward current	I_F	$I_F = 12V$	-	10	-	mA
DC reverse current	I_R	$V_R = 5V$	-	-	10	μA
Dominant wavelength*	λ_D	$I_F = 12V$	465	470	475	nm
Luminous intensity*	I_v	$I_F = 12V$	100	150	-	mcd
50% Power angle	$2\theta_{1/2}$	$I_F = 12V$	-	90	-	deg

*1 Tolerance of dominant wavelength is $\pm 1nm$
 *2 Tolerance of luminous intensity is $\pm 15\%$
 *3 Tolerance of measurements of forward voltage is $\pm 0.1V$

Outline dimensions:



Directivity:

