

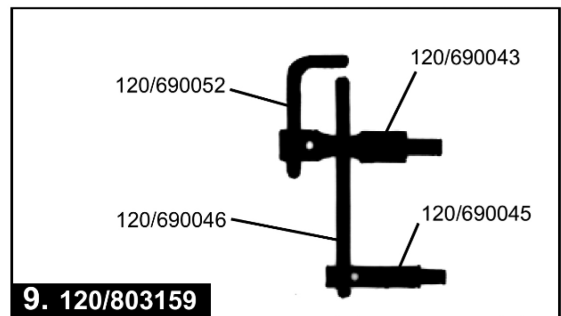
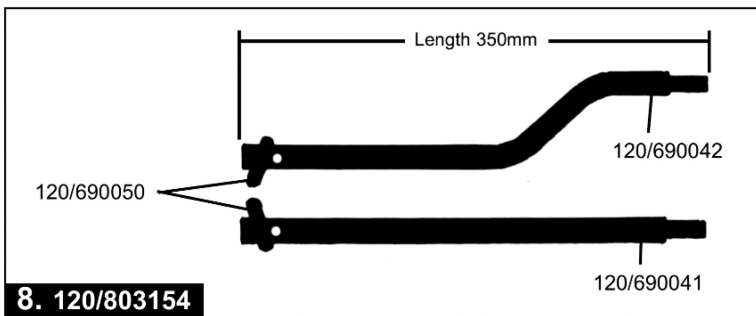
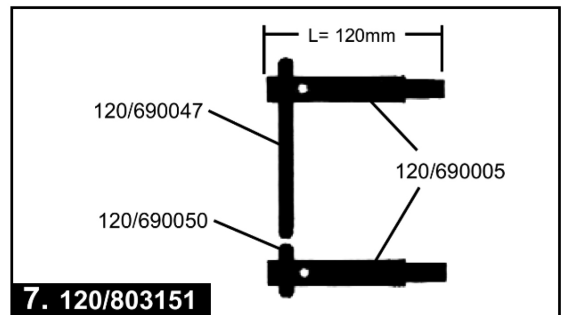
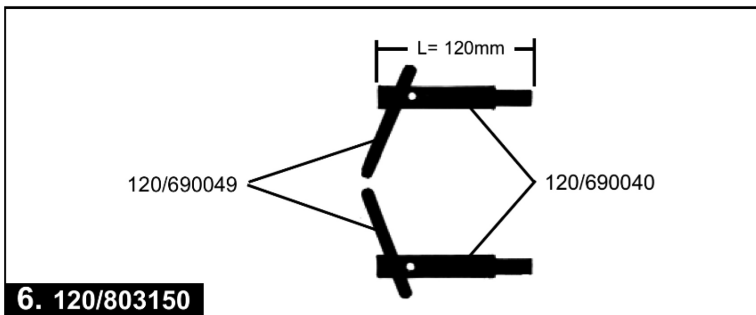
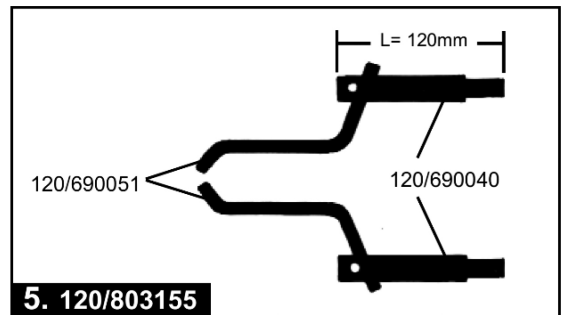
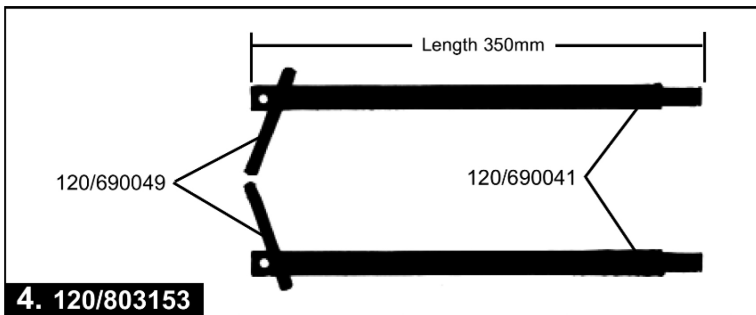
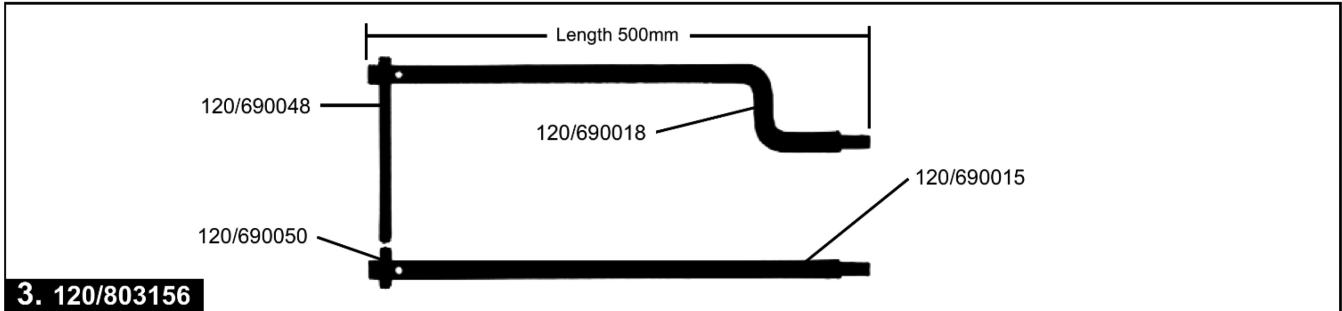
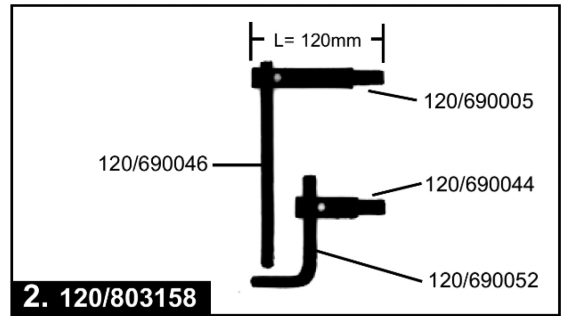
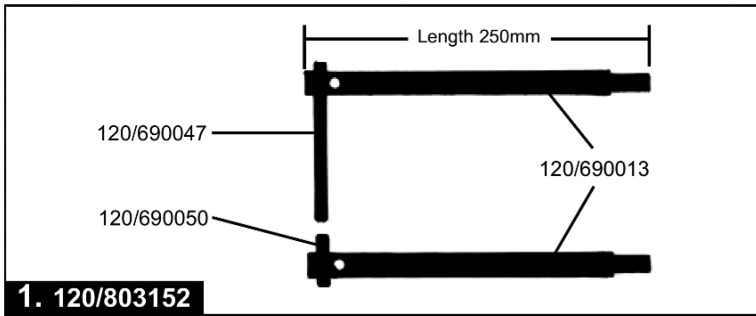
Item	Part No.	Description
1	120/113585	SCR
2	120.980474	CONTROL PCB
3	120.980469	POWER PCB
4	120/122393	MICROSWITCH
5	MC3CX2.5	MAINS CABLE BLK, 3 CORE, 2.5MM2
6	120/169034	TRANSFORMER
7	--	see below part numbers for full range of Arms
8	--	see below part numbers for full range of Electrodes
9	--	see below part numbers for full range of Electrodes
10	120/990046	BUSHING & NUT, CABLE
11	120/482887	PIN
12	120/322512	HANDLE COVER
13	HHB1465.S	HEX HEAD BOLT M14x65mm SINGLE

Item	Part No.	Description
--	120/232113	EYE BOLT (not shown)
--	120.322510	RIGHT SIDE COVER (not shown)
--	120.322511	LEFT SIDE COVER (not shown)
--	120.912514	LABEL (WARNING SIGNS) (not shown)
--	120.912477	LABEL (SEALEY SR123) (not shown)
--	120.912481	LABEL (SAFETY ADVICE) (not shown)
--	120.912379	LABEL (FUZZY LOGIC SYSTEM) (not shown)
--	120/452096	TRIGGER RETURN SPRING (not shown)
--	120/322518	WHITE INDICATOR BUSHING (not shown)
--	120/522020	UPPER ARM CLAMP (not shown)
--	120/522023	LOWER ARM CLAMP (not shown)
--	120/312114	BUSH (not shown)
--	120.685009	ALUMINIUM HOUSING (not shown)
--	120/312161	HANDLE, SIDE (not shown)

NOTE: It is our policy to continually improve products and as such we reserve the right to alter data, specifications and component parts without prior notice.

IMPORTANT: No liability is accepted for incorrect use of product.

WARRANTY: Guarantee is 12 months from purchase date, proof of which will be required for any claim.



NOTE: It is our policy to continually improve products and as such we reserve the right to alter data, specifications and component parts without prior notice.

IMPORTANT: No liability is accepted for incorrect use of product.

WARRANTY: Guarantee is 12 months from purchase date, proof of which will be required for any claim.



Parts Information:
Spot Welder with Digital Timer
Model No: SR123

Item	Part No.	Description
1	120/803152	Spot Welding Arms 250mm Plain Electrode Holder
--	120/690047	ELECTRODE STRAIGHT 130mm
--	120/690013	ELECTRODE HOLDER ARM L=250MM
--	120/690050	ELECTRODE STRAIGHT 50mm
2	120/803158	Spot Welding Arms 120mm Exterior Profiles
--	120/690046	ELECTRODE STRAIGHT 215mm
--	120/690052	ELECTRODE L 55 x 155mm
--	120/690044	ELECTRODE HOLDER
--	120/690005	ELECTRODE HOLDER ARM L=120MM
3	120/803156	Spot Welding Arms 500mm Large Opening
--	120/690048	ELECTRODE STRAIGHT 195mm
--	120/690050	ELECTRODE STRAIGHT 50mm
--	120/690018	ELECTRODE HOLDER ARM L=500MM
--	120/690015	ELECTRODE HOLDER ARM L=500MM
4	120/803153	Spot Welding Arms 350mm Inclined Electrode Holder
--	120/690049	ELECTRODE STRAIGHT 100mm
--	120/690041	ELECTRODE HOLDER ARM L=350MM
5	120/803155	Spot Welding Arms 120mm Pincer Electrode
--	120/690051	ELECTRODE ANGLED 70 x 100mm
--	120/690040	ELECTRODE HOLDER ARM L=120MM

Item	Part No.	Description
6	120/803150	Spot Welding Arms 120mm Inclined Electrode Holder
--	120/690049	ELECTRODE STRAIGHT 100mm
--	120/690040	ELECTRODE HOLDER ARM L=120MM
7	120/803151	Spot Welding Arms 130mm Plain Electrode Holder
--	120/690047	ELECTRODE STRAIGHT 130mm
--	120/690050	ELECTRODE STRAIGHT 50mm
--	120/690005	ELECTRODE HOLDER ARM L=120MM
8	120/803154	Spot Welding Arms 350mm Curved Electrode Holder
--	120/690050	ELECTRODE STRAIGHT 50mm
--	120/690042	ELECTRODE HOLDER ARM L=350MM
--	120/690041	ELECTRODE HOLDER ARM L=350MM
9	120/803159	Spot Welding Arms 120mm Interior Profiles
--	120/690052	ELECTRODE L 55 x 155mm
--	120/690046	ELECTRODE STRAIGHT 215mm
--	120/690043	ELECTRODE HOLDER
--	120/690045	ELECTRODE HOLDER

NOTE: It is our policy to continually improve products and as such we reserve the right to alter data, specifications and component parts without prior notice.

IMPORTANT: No liability is accepted for incorrect use of product.

WARRANTY: Guarantee is 12 months from purchase date, proof of which will be required for any claim.

Sealey Group, Kempson Way, Suffolk Business Park, Bury St Edmunds, Suffolk. IP32 7AR



01284 757500



01284 703534



sales@sealey.co.uk



www.sealey.co.uk