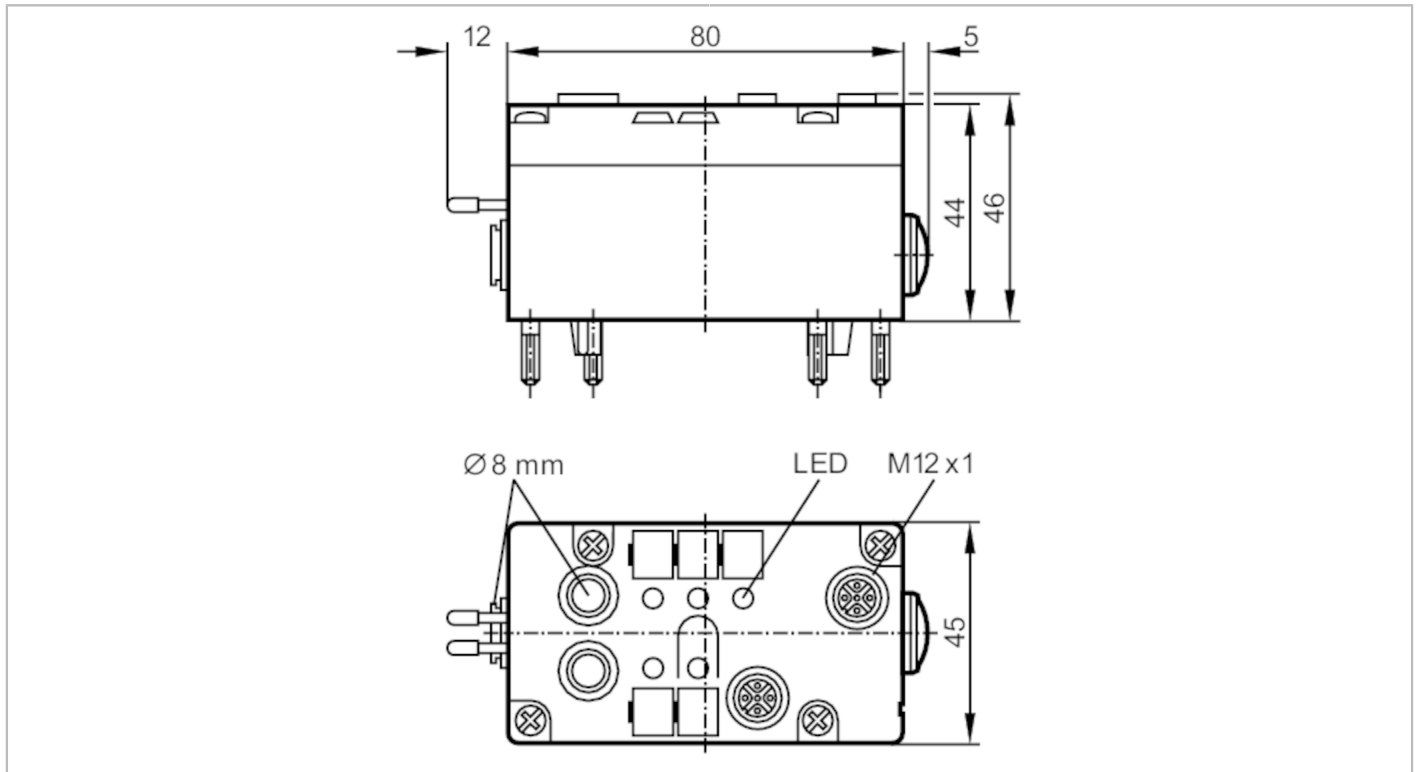


AC2024



AS-Interface AirBox

AirBox 2DI 2PO M12



Electrical data	
Operating voltage [V]	26.5...31.6 DC
Max. current consumption from AS-i [mA]	150
Integrated watchdog	yes
Inputs / outputs	
Number of inputs and outputs	Number of digital inputs: 2; Number of pneumatic outputs: 2
Inputs	
Number of digital inputs	2
Input circuit of digital inputs	PNP
Sensor supply of the inputs	AS-i
Voltage supply [V]	20...30
Max. total current rating of inputs [mA]	100
Input current High [mA]	> 3
Input current Low [mA]	< 1.5
Min. switching level high signal [V]	10
Digital inputs protected against short circuits	yes
Outputs	
Electrical design	AS-i
Number of pneumatic outputs	2



AS-Interface AirBox

AirBox 2DI 2PO M12

Operating conditions					
Ambient temperature	[°C]	0...55			
Note on ambient temperature		with special compressed air treatment: < 0 °C			
Protection		IP 65			
Tests / approvals					
EMC		EN 50295			
AS-i classification					
AS-i profile		S-3.F			
AS-i I/O configuration	[hex]	3			
AS-i ID code	[hex]	F			
AS-i certificate		10501			
Assignment of the data bits	data bit	D0	D1	D2	D3
	Inputs / outputs	I-1	I-2	O-3	O-4
Mechanical data					
Weight	[g]	253.5			
Type of mounting		AS-i interface to FC and SC lower parts			
Dimensions	[mm]	45 x 80 x 46			
Materials		PBT			
Pneumatic system		two 3/2-way seat valves			
Operating pressure range	[bar]	2...8			
Operating pressure range	[MPa]	0.2...0.8			
Note on working pressure range		incl. possible pressure peaks			
Air flow at 6/5 bar	[l/min]	350			
Air flow at 6/0 bar	[l/min]	550			
Permissible compressed air		filtered (5 µm); lubricated (ISO-VG10) or not lubricated			
Tube fittings		Legris LF 3000/8			
Exhaust		integrated exhaust			
Displays / operating elements					
Display	operation	LED, green			
	function	LED, yellow			
Remarks					
Pack quantity		1 pcs.			
Electrical connection					
contact pins to module lower part, FK / PG:					
	Inputs				
1	Sensor supply L+				
2+4	data input internally bridged				
3	Sensor supply L-				
Connector: M12					

AC2024



AS-Interface AirBox

AirBox 2DI 2PO M12

