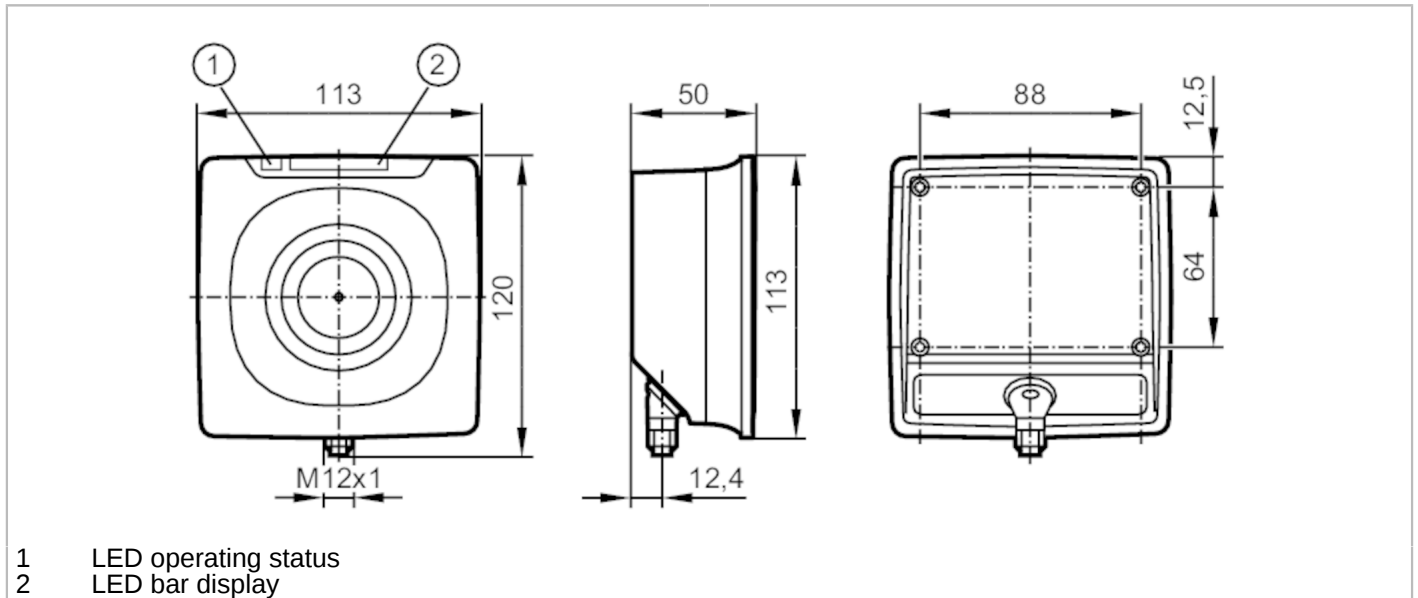


ANT600



RFID read/write head HF

DTRHF HLRWIDUS03



Application

Application	detection of objects on transport equipment
Radio approval for	Europe; Japan; Australia; China; Taiwan; India; Singapore; Ukraine

Electrical data

Operating voltage [V]	19.2...28.8 DC; (supply only via the DTE10x evaluation unit)
Current consumption [mA]	< 150
Protection class	III
Operating frequency [MHz]	13,56

Detection zone

Distance write/read head front [mm]	400		
Distance write/read head side [mm]	600		
Distance to the ID tag [mm]	referred to the ID tag E80384	:	< 190
	referred to an ISO card E80407	:	< 230

Interfaces

Communication interface	DATA / DTE10x
-------------------------	---------------

Operating conditions

Ambient temperature [°C]	-20...60
Storage temperature [°C]	-25...80
Protection	IP 67

ANT600



RFID read/write head HF

DTRHF HLRWIDUS03

Tests / approvals		
EMC	EN 301489-3	
Shock resistance	EN 60068-2-27	40 g 6 ms / bump
	EN 60068-2-27	50 g 11 ms / single shock
Vibration resistance	EN 60068-2-6	2 g 10...150 Hz
Radio approval	EN 300 330 V2.1.1	
UL approval	Ta	-20...60 °C
	Enclosure type	Type 1
	voltage supply	Limited Voltage/Current
	File number UL	E205959

Mechanical data		
Weight	[g]	450
Dimensions	[mm]	120 x 50 x 113
Materials	PBT; PC; stainless steel	

Displays / operating elements		
Display	operation	1 x LED, green
	tag communication	4 x LED bar display, yellow

Remarks	
Remarks	For the distances to other ID tags see the respective data sheet (E803xx)
Pack quantity	1 pcs.

Electrical connection

Connector: 1 x M12



Connection

