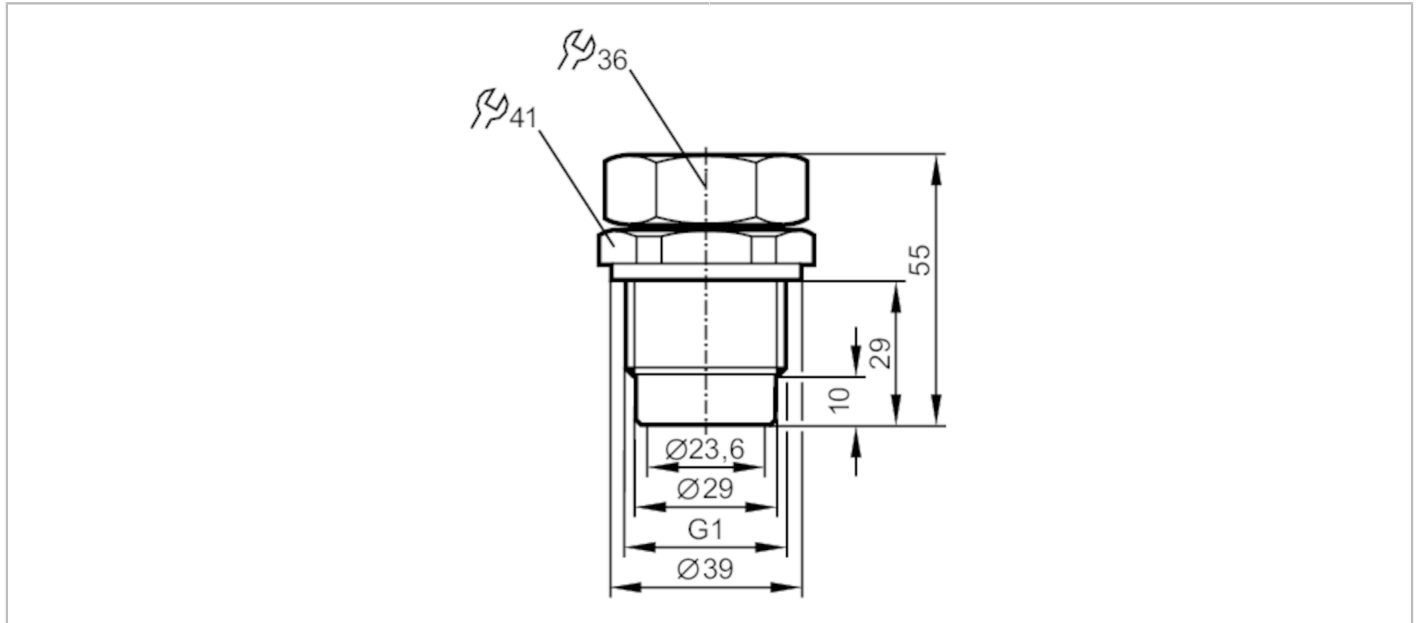


E43009



Mounting adapter for level sensors

MOUNTING ADAPTER G1/D22



| Application | |
|--------------------------|-------------------------------------|
| Design | for climatic tube LK, LI |
| Pressure rating [bar] | 0.5 |
| Operating conditions | |
| Ambient temperature [°C] | 0...80 |
| Mechanical data | |
| Weight [g] | 256 |
| Materials | stainless steel; NBR; Tesnit; brass |
| Tightening torque [Nm] | 6...8 |
| Process connection | G 1 |
| Remarks | |
| Pack quantity | 1 pcs. |