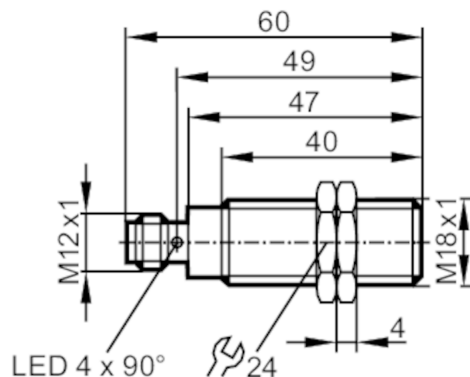


IGC234



Inductive AS-Interface sensor

IGK2008BASI /M/US-104



Product characteristics

Electrical design		AS-i
Sensing range	[mm]	8
Housing		threaded type
Dimensions	[mm]	M18 x 1 / L = 60

Application

Special feature		Gold-plated contacts
Application		Use in machine tools, coolants and lubricants

Electrical data

Operating voltage	[V]	26.5...31.6 DC
Current consumption	[mA]	< 30
Protection class		III
Reverse polarity protection		yes
Max. power-on delay time	[ms]	1000

Outputs

Electrical design		AS-i
Switching frequency DC	[Hz]	100

Detection zone

Sensing range	[mm]	8
Operating distance	[mm]	0...6.5

Accuracy / deviations

Correction factor		steel: 1 / stainless steel: 0.7 / brass: 0.5 / aluminium: 0.45 / copper: 0.35
Hysteresis	[% of Sr]	1...20

Operating conditions

Ambient temperature	[°C]	-25...70
Protection		IP 68; ("Coolant")



Inductive AS-Interface sensor

IGK2008BASI /M/US-104

Tests / approvals					
EMC	EN 61000-4-2 ESD		4 kV CD / 8 kV AD		
	EN 61000-4-3 HF radiated		10 V/m		
	EN 61000-4-4 Burst		2 kV		
	EN 61000-4-6 HF conducted		10 V		
	EN 55011		class B		
MTTF	[years]	1484			
UL approval	Ta		-25...70 °C		
	Enclosure type		Type 1		
	voltage supply		Limited Voltage/Current		
	File number UL		E174191		
AS-i classification					
AS-i version	2.1				
Extended addressing mode possible	yes				
AS-i I/O configuration	[hex]	0			
AS-i ID code	[hex]	A.F			
AS-i certificate	57201				
Assignment of the data bits	Designation	switching signal	not used	not used	not used
	status = 0	target outside the active zone	-	-	-
	status = 1	target within the active zone	default value	default value	default value
Mechanical data					
Weight	[g]	47.2			
Housing	threaded type				
Mounting	flush mountable				
Dimensions	[mm]	M18 x 1 / L = 60			
Thread designation	M18 x 1				
Materials	threaded sleeve: stainless steel (1.4404 / 316L); sensing face: LCP uncoloured; lock nuts: brass				
Displays / operating elements					
Display	switching status		4 x 90° LED, yellow		
	function		1 x LED, red		
Accessories					
Accessories (supplied)	lock nuts: 2				
Remarks					
Pack quantity	1 pcs.				
Electrical connection - plug					
Connector: 1 x M12; Contacts: gold-plated					

IGC234



Inductive AS-Interface sensor

IGK2008BASI /M/US-104



Connection

