

M12 FEMALE 90° LED

PUR 3X0.34 YELLOW, UL/CSA, drag ch 10m

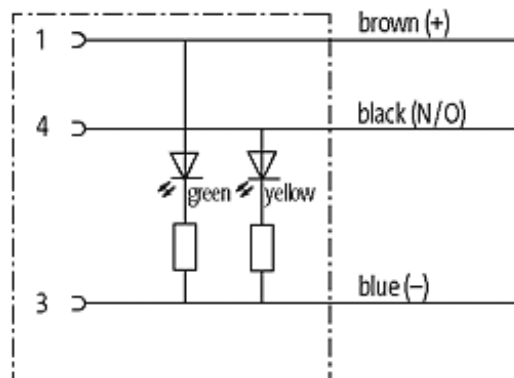
M12

Female 90°

3-pole with 2 × LED (PNP)

Art.-No. 7005 - M12 Lite - (plastic hexagonal screw) on request

Plastic housings with good resistance against chemicals and oils. The resistance to aggressive media should be individually tested for your application. Further details on request. Further cable lengths on request.

[Link to Product](#)**Illustration**

Female



Product may differ from Image

Approvals



Form

12381

Technical Data

| | |
|-------------------------------|--|
| Operating voltage | 24 V DC $\pm 25\%$ |
| Operating current per contact | max. 4 A |
| Locking of ports | Screw thread M12 \times 1 mm (recommended torque 0.6 Nm) self-securing |
| Protection | IP67 inserted and tightened (EN 60529) |

Cables

| | |
|-----------------------|---------------------------------|
| Cable number | 033 |
| No./diameter of wires | 3 \times 0.34 mm ² |
| Wire isolation | PP (br, bl, bk) |

The information in this brochure has been compiled with the utmost care.

Liability for the correctness completeness and topicality of the information is restricted to gross negligence. Version: 05/15

| | |
|-----------------------------|---------------------------------|
| C-track properties | 5 Mio. |
| Torsion | 2 Mio. \pm 180°/m |
| Jacket Color | yellow |
| Shore hardness outer jacket | 90 \pm 5A |
| Material (jacket) | PUR (UL/CSA) |
| Outer diameter | approx. 4.3 mm |
| Bend radius (fixed) | 5 \times outer \varnothing |
| Bend radius (moving) | 10 \times outer \varnothing |
| Temperature range (fixed) | -40...+80 °C |
| Temperature range (mobile) | -25...+80 °C |

General data

| | |
|-------------------|--|
| Temperature range | -25...+85 °C, depending on cable quality |
|-------------------|--|

Commercial data

| | |
|------------------------|----------|
| country of origin | DE |
| customs tariff number | 85444290 |
| minimum order quantity | 1 |