

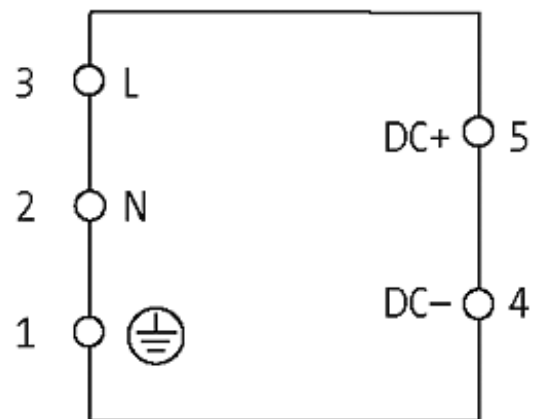
MCS-B POWER SUPPLY 1-PHASE,

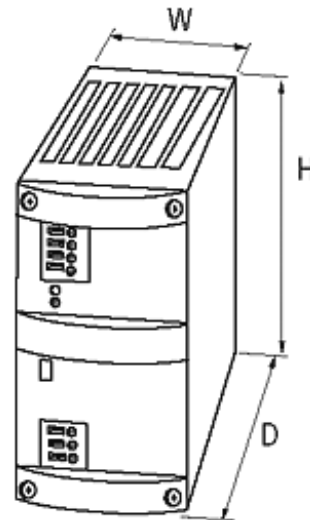
IN: 100-265VAC OUT: 24V/7,5ADC

INPUT: 100...265 V AC

OUTPUT: 24 V DC +3/-1%

Current: 7.5 A

[Link to Product](#)**Illustration**



Product may differ from Image

Approvals



Input

Input voltage	100...265 V AC
Input current	2.9 A (115 V AC); 1.6 A (230 V AC)
Inrush current after 1 ms	max. 37 A
Primary fusing external	max. 10 A
Frequency	50...60 Hz

General data

Standards	(EN 60950-1), (EN 61204-3), (EN 55011 A)
Relative humidity	5...95 %, no condensation
Efficiency	87 %
Mounting method	DIN-rail mountable TH35 (EN 60715)
Dimensions H x W x D	115x54x145 mm
Temperature range	0...+40 °C, ...+50 °C derating (storage temperature -20...+85 °C)

Output

Output voltage	24 V DC (SELV), ± 1 %; 22...28 V adjustable
Output current	7.5 A (+40 °C), 6 A (+55 °C)
Mains failure bridging time	min. 14 ms (115 V AC); min. 80 ms (230 V AC)
Ripple	max. 20 mVrms
Spikes	max. 100 mV p-p
Unit protection	short-circuit and overload protected
LED display	LED (green) for output voltage
Parallel usage/serial usage	max. 5 units/max. 2 units

Commercial data

country of origin	CZ
customs tariff number	85044090
minimum order quantity	1