



LED BLOCK FOR INDICATING CONTACTOR FUNCTION, AC/DC 24...240V, POLARIZED FOR MOTOR CONTACTORS SZ S0, (1 PACKAGE = 5 UNITS)

General technical data:

product brand name	SIRIUS
Product designation	LED display module

Certificates/ approvals:

Shipping Approval	other
	Environmental Confirmations
	Confirmation



ABS

Further information

Information- and Downloadcenter (Catalogs, Brochures,...)

<http://www.siemens.com/industrial-controls/catalogs>

Industry Mall (Online ordering system)

<http://www.siemens.com/industrymall>

Cax online generator

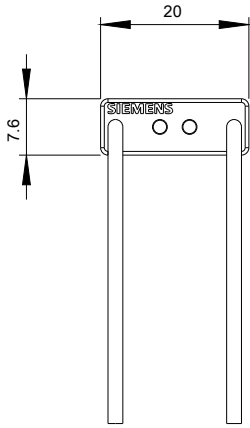
<http://support.automation.siemens.com/WW/CAXorder/default.aspx?lang=en&mlfb=3RT29261QT00>

Service&Support (Manuals, Certificates, Characteristics, FAQs,...)

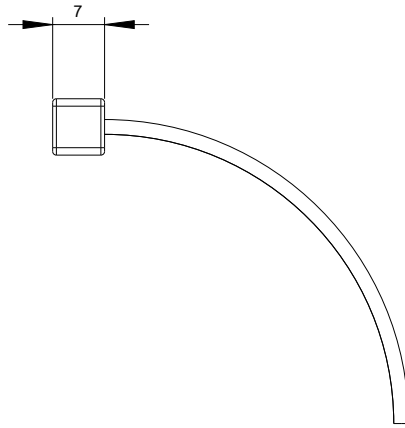
<http://support.automation.siemens.com/WW/view/en/3RT29261QT00/all>

Image database (product images, 2D dimension drawings, 3D models, device circuit diagrams, EPLAN macros, ...)

<http://www.automation.siemens.com/bilddb/index.aspx?attID9=3RT29261QT00&lang=en>



last modified:



15.01.2015