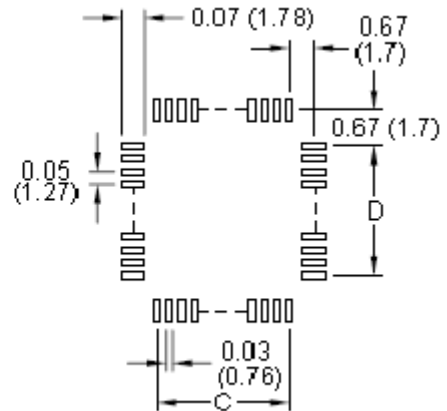
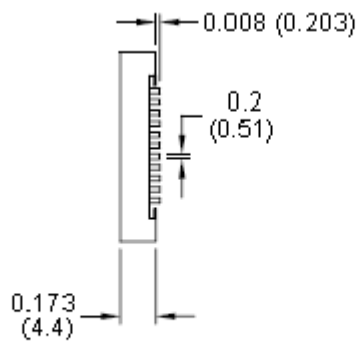
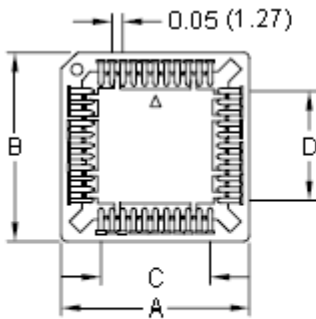


PLCC Sockets



Recommended PCB Layout

Dimensions : Inches (Millimetres)

Specifications:

Material:

Insulator : PPS, glass reinforced, rated UL : E224053
 Insulator Colour : Brown
 Contacts : Phosphor bronze

Plating:

Tin over copper underplate overall

Electrical:

Maximum Operating Voltage : 250 V ac
 Maximum Current Rating : 1 A
 Maximum Initial Contact Resistance : 30 mΩ
 Minimum Insulation Resistance : 1,000 MΩ
 Dielectric Withstanding Voltage : 500 V ac for 1 min

Temperature Rating:

Operating Temperature : -55°C to +105°C

Environmental:

Lead Free
 Maximum Process Temperature : 230°C for 30 s
 : 260°C for 5 s

PLCC Sockets



Specification Table

Positions	A		B		C		D		Mounting Style	Part Number
	Inches	mm	Inches	mm	Inches	mm	Inches	mm		
20	0.616	15.65	0.616	15.65	0.2	5.08	0.2	5.08	SMT	MC-20PLCC-SMT
28	0.715	18.16	0.715	18.16	0.3	7.62	0.3	7.62	SMT	MC-28PLCC-SMT
32	0.715	18.16	0.817	20.75	0.3	7.62	0.4	10.16	SMT	MC-32PLCC-SMT
44	0.917	23.28	0.917	23.28	0.5	12.7	0.5	12.7	SMT	MC-44PLCC-SMT
52	1.017	25.84	1.017	25.84	0.6	15.24	0.6	15.24	SMT	MC-52PLCC-SMT
68	1.219	30.95	1.219	30.95	0.8	20.32	0.8	20.32	SMT	MC-68PLCC-SMT
84	1.417	36	1.417	36	1	25.4	1	25.4	SMT	MC-84PLCC-SMT

Unless otherwise specified all dimensions are inches (mm)

Tolerances : except as noted

Inches	Holes
.X : ±0.1	Ø.X : ±0.1
.XX : ±0.02	Ø.XX : ±0.015
.XXX : ±0.015	Ø.XXX : ±0.01



Important Notice : This data sheet and its contents (the "Information") belong to the members of the Premier Farnell group of companies (the "Group") or are licensed to it. No licence is granted for the use of it other than for information purposes in connection with the products to which it relates. No licence of any intellectual property rights is granted. The Information is subject to change without notice and replaces all data sheets previously supplied. The Information supplied is believed to be accurate but the Group assumes no responsibility for its accuracy or completeness, any error in or omission from it or for any use made of it. Users of this data sheet should check for themselves the Information and the suitability of the products for their purpose and not make any assumptions based on information included or omitted. Liability for loss or damage resulting from any reliance on the Information or use of it (including liability resulting from negligence or where the Group was aware of the possibility of such loss or damage arising) is excluded. This will not operate to limit or restrict the Group's liability for death or personal injury resulting from its negligence. Multicomp is the registered trademark of the Group. © Premier Farnell plc 2012.