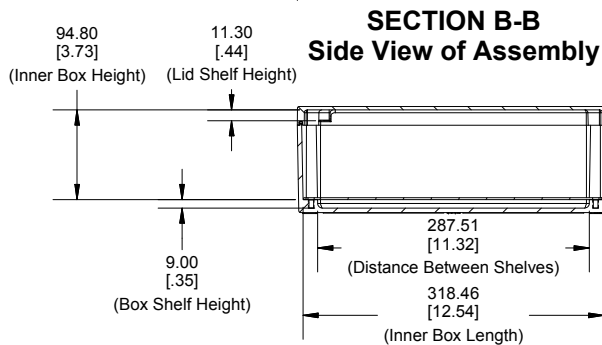
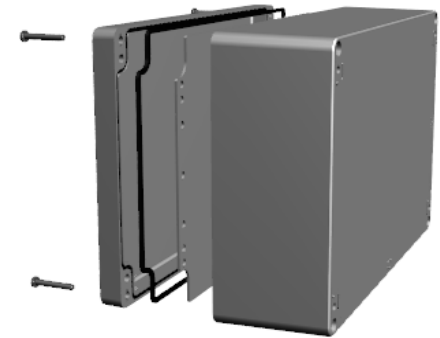
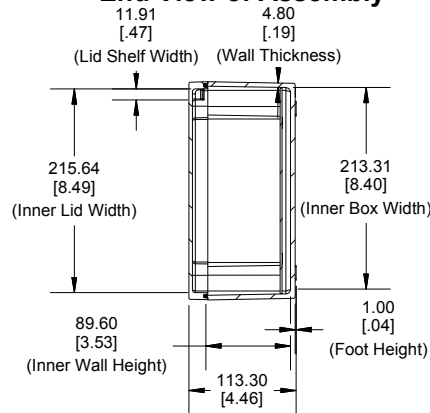
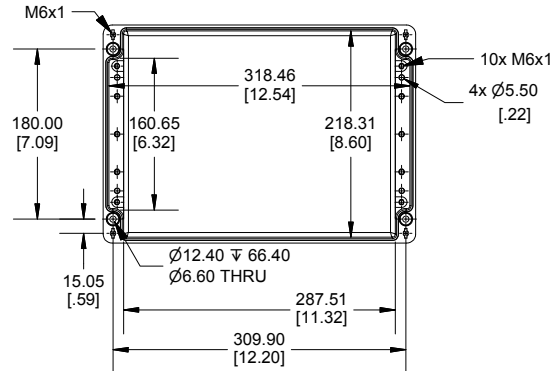


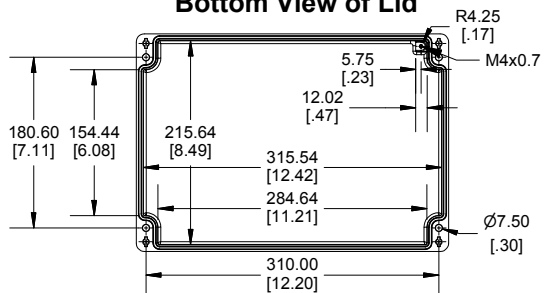
### SECTION A-A End View of Assembly



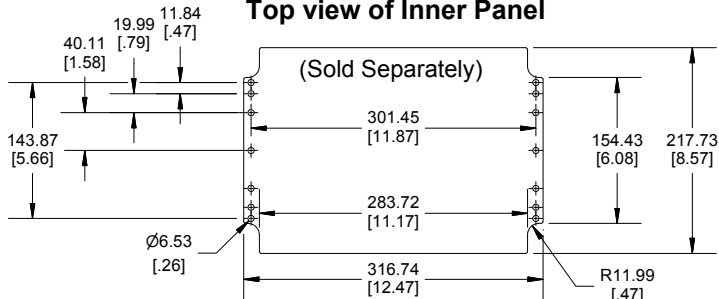
### Top View of Box



### Bottom View of Lid



### Top view of Inner Panel



Enclosures can be Factory Modified ( Milling, Drilling, Printing etc.)  
Contact Factory [mjm@hammondmfg.com](mailto:mjm@hammondmfg.com) for quotes  
Solid models of this enclosure available in STEP or IGES.

#### NOTE

Purchased assembly includes box, lid, silicone gasket, M6x35 lid screws and M6x10 ground screws.  
Box and lid are made from Diecast Aluminum Alloy.

**Screws should not be torqued past 15-17 lbf.in ( 150 -170 cN.m)**

#### PART NUMBERS

1590Z235 Enclosure	
Basic Enclosure	1590Z235
Black Enclosure	1590Z235BK
Grey Enclosure - RAL7001 Gloss	1590Z235GY
ACCESSORIES	
Inner Panel	1590Z235PL

**HAMMOND  
MANUFACTURING™**

# 1590Z235

www.hammondmfg.com

Dimensions:  
mm  
[inches]