

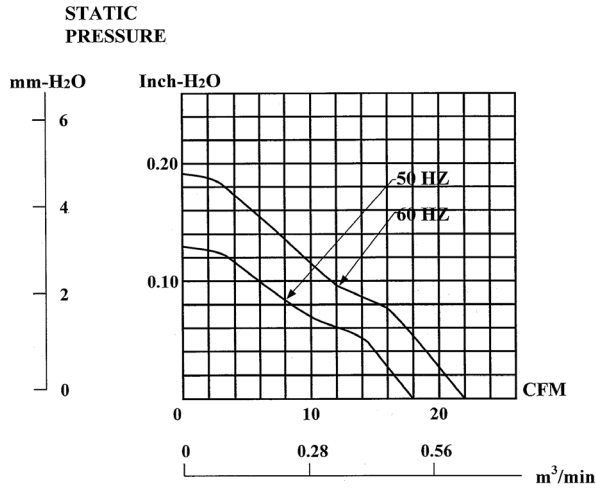
## Characteristics:

Motor Design	: Reliable Shaded-Pole Motor Construction
Insulation Resistance	: 500M $\Omega$ minimum at 500V DC
Dimensions	: 80mm $\times$ 80mm $\times$ 25mm
Dielectric Strength	: 1,500V AC for one second
Motor Protection	: Impedance protected
Noise Level	: Measured in a semi-anechoic chamber with background noise level below 15dB (A) The fan is running in free air with the microphone at a distance of one meter from the fan intake
Tolerance	: $\pm$ 15% on rated power and current
Air Performance	: Measured by a double chamber. The values are recorded when the fan speed has stabilized at rated voltage

## Specifications:

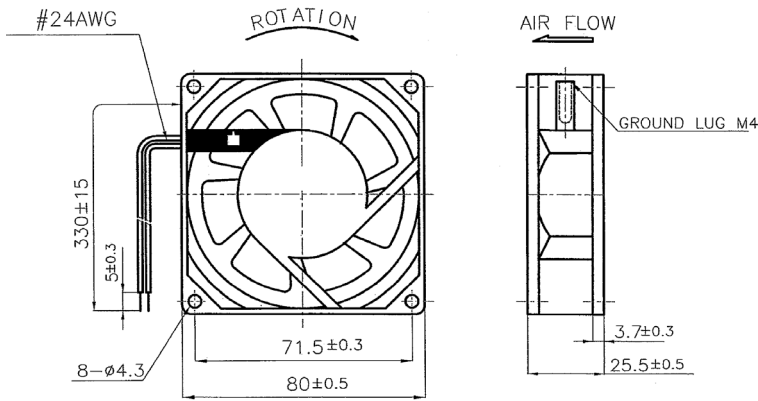
Rated Voltage	: 220-240V AC 50/60 Hz
Operating Voltage Range	: 185-245V AC
Starting Voltage	: 185V AC
Rated Speed	: 2,450/2,900 RPM $\pm$ 10%
Air Delivery	: 18/22 CFM
Static Pressure	: 0.13/0.19 Inch-H <sub>2</sub> O
Rated Current	: 0.07/0.07 AMP
Rated Power	: 14/13.5 Watts
Noise Level	: 30/34.5dB (A)
Direction of Rotation	: Counter-clockwise viewed from front of fan blade
Operating Temperature	: -10°C to +70°C
Storage Temperature	: -40°C to +70°C
Bearing System	: Precision ball bearing system
Weight	: 260 g
Vibration	: Vibration of acceleration 1.5G and frequency 5-50 ~ 5Hz is applied in all 3 directions(X,Y,Z), in cycles of 1 minute each, for a total vibration time of 30 minutes.

## Performance Curves



## Material

Frame : Die-Cast Aluminium  
 Impeller : Thermoplastic PBT  
 Lead Wire : 24AWG, Grey



Air Flow Direction: Toward label side

Dimensions : Millimetres

## Part Number Table

Description	Part Number
Axial AC Fan, 80mm × 80mm × 25mm	9606190

**Important Notice :** This data sheet and its contents (the "Information") belong to the members of the Premier Farnell group of companies (the "Group") or are licensed to it. No licence is granted for the use of it other than for information purposes in connection with the products to which it relates. No licence of any intellectual property rights is granted. The Information is subject to change without notice and replaces all data sheets previously supplied. The Information supplied is believed to be accurate but the Group assumes no responsibility for its accuracy or completeness, any error in or omission from it or for any use made of it. Users of this data sheet should check for themselves the Information and the suitability of the products for their purpose and not make any assumptions based on information included or omitted. Liability for loss or damage resulting from any reliance on the Information or use of it (including liability resulting from negligence or where the Group was aware of the possibility of such loss or damage arising) is excluded. This will not operate to limit or restrict the Group's liability for death or personal injury resulting from its negligence. Multicomp is the registered trademark of the Group. © Premier Farnell plc 2012.