

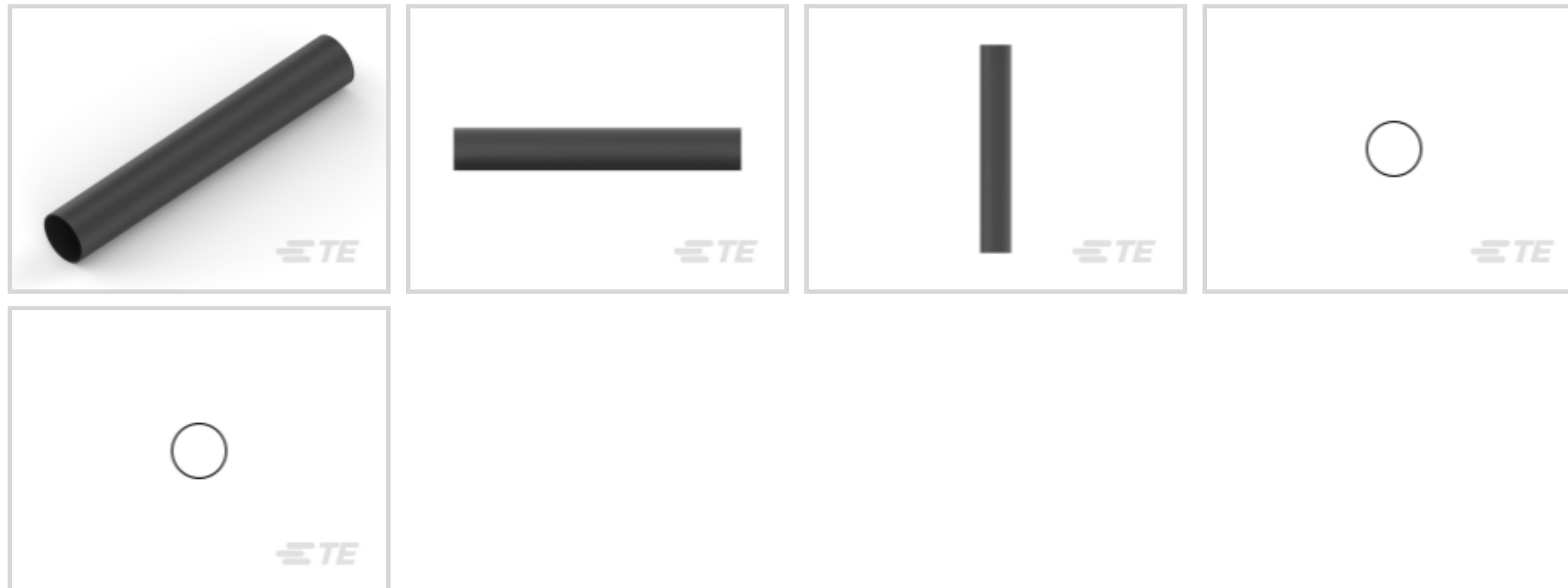


TE Internal #: NB25922001

Heat Shrink Tubing, Black, Dual Wall Type, 19.05 Expanded Inside Diameter (Min) .75 Expanded Inside Diameter (Min)

[View on TE.com >](#)

Heat Shrink Tubing



Primary Product Color: **Black**

Wall Type: **Dual**

Expanded Inside Diameter (Min): **19.05 mm [.75 in]**

Recovered Inside Diameter (Max): **7.95 mm [.313 in]**

Shrink Ratio: **3:1**

Features

Product Type Features

Product Family	SCL
Wall Type	Dual

Electrical Characteristics

Voltage (Max)	.6 kV
---------------	-------

Body Features

Fluid Type	Aviation Fuel, Brake Fluid, Hydraulic Fluid, Lubricating Oil, Water
Primary Product Color	Black
Shrink Ratio	3:1
Primary Product Material	Irradiated Modified Polyolefin
Flexibility	Semi-Rigid

Dimensions

Recovered Wall Thickness (Tolerance)	.35 mm[.014 in]
Cut Length	1220 mm[48.03 in]
Recovered Wall Thickness (Nominal)	1.65 mm[.065 in]



Expanded Inside Diameter (Min)	19.05 mm[.75 in]
Recovered Inside Diameter (Max)	7.95 mm[.313 in]
Heat Shrink Tubing Size Range	7.95 – 19.05 mm[.313 – .75 in]

Usage Conditions

Shrink Temperature (Min)	125 °C
Fluid Resistance	Moisture/Splash Protection/Spray Protection
Heat Shrink Tubing Flammability	Non-Flame-Retardant
Operating Temperature Range	-55 – 110 °C
Heat Shrink Tubing Resistance	Abrasion, Fluids, Mechanical Damage, Strain, Vibration
Recovery Temperature	135 °C

Product Availability

Applicable Region	Global
-------------------	--------

Packaging Features

Packaging Method	Bag/Box
------------------	---------

Other

Meets Low Outgassing Requirements	No
Product Source	Czech Republic

Product Compliance

[For compliance documentation, visit the product page on TE.com>](#)

EU RoHS Directive 2011/65/EU	Compliant
EU ELV Directive 2000/53/EC	Compliant
China RoHS 2 Directive MIIT Order No 32, 2016	No Restricted Materials Above Threshold
EU REACH Regulation (EC) No. 1907/2006	Current ECHA Candidate List: JAN 2021 (211) Candidate List Declared Against: JAN 2021 (211) Does not contain REACH SVHC
Halogen Content	Low Halogen - Br, Cl, F, I < 900 ppm per homogenous material. Also BFR/CFR/PVC Free
Solder Process Capability	Not applicable for solder process capability

Product Compliance Disclaimer

This information is provided based on reasonable inquiry of our suppliers and represents our current actual knowledge based on the information they provided. This information is subject to change. The part numbers that TE has identified as EU RoHS compliant have a maximum concentration of 0.1% by weight in homogenous materials for lead, hexavalent chromium, mercury, PBB, PBDE, DBP, BBP, DEHP, DIBP, and 0.01% for cadmium, or qualify for an exemption to these limits as defined in the Annexes of Directive 2011/65/EU (RoHS2). Finished electrical and electronic equipment products will be CE marked as required by Directive 2011/65/EU. Components may not be CE marked. Additionally, the part numbers that TE has identified as EU ELV compliant have a maximum concentration of 0.1% by weight in homogenous materials for lead, hexavalent chromium, and mercury, and 0.01% for cadmium, or qualify for an exemption to these limits as defined in the Annexes of Directive 2000/53/EC (ELV). Regarding the REACH Regulation, the information TE provides on SVHC in articles for this part number is based on the latest European Chemicals Agency (ECHA) 'Guidance on requirements for substances in articles' posted at this URL: <https://echa.europa.eu/guidance-documents/guidance-on-reach>

Compatible Parts



TE Part # CJ2087-000
HL2010E-KIT-120V



TE Part # EG1114-000
CV1981-ST-230V1600W-EU

Customers Also Bought



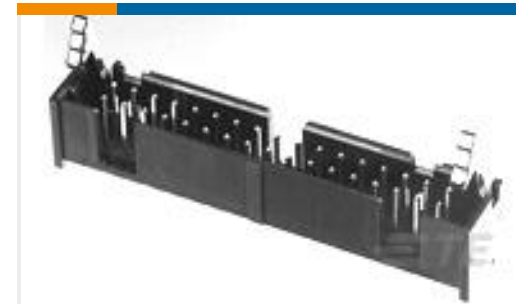
TE Part #320564
TERMINAL,PIDG R 16-14 3/8



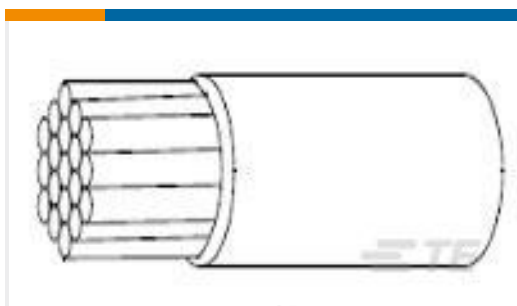
TE Part #2-34159-1
TERMINAL,PG R 16-14 6



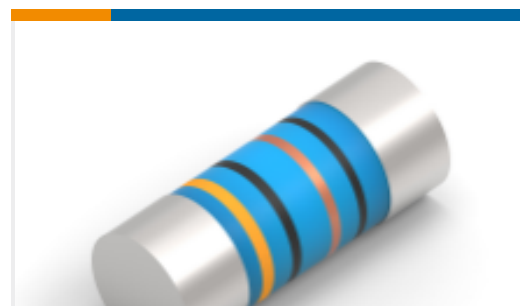
TE Part #162927-000
55A1121-16-9/96-9CS2275



TE Part #104128-5
026 LOPRO HDR SP 30DP LATCH



TE Part #216365-001
22759/32-14-9



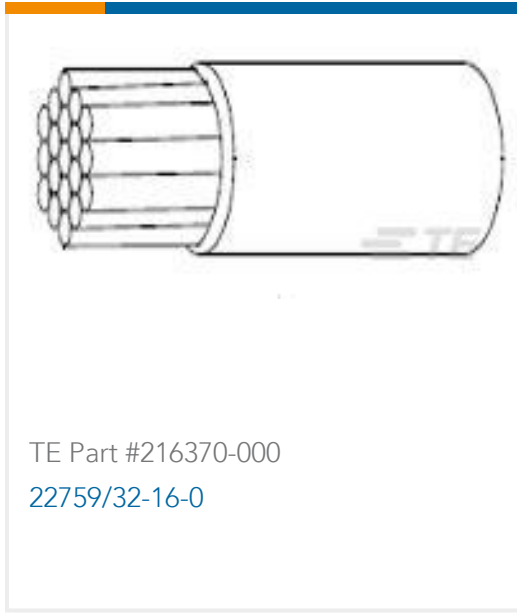
TE Part #2-2176316-5
MELF SMA_A 10K 0.1% 15PPM 0207 1W



TE Part #YDTS26W21-11SNV001
PLUG ASSY



TE Part #180351-1
FF 250 REC 4-6MM2 BR



Documents

Datasheets & Catalog Pages

[SCL Pages from 9-1773447-9](#)

English

Product Specifications

[Quality Specification](#)

English