



<b>Title of Change:</b>	Update flat lead length (L) and lead thickness (C) dimensions of SOT23 (TO-236) package in datasheets.
<b>Effective date:</b>	27 September 2016
<b>Contact information:</b>	Contact your local ON Semiconductor Sales Office or <Michael.You@onsemi.com>
<b>Type of notification:</b>	ON Semiconductor will consider this change accepted.
<b>Change category:</b>	<input type="checkbox"/> Wafer Fab Change <input type="checkbox"/> Assembly Change <input type="checkbox"/> Test Change <input checked="" type="checkbox"/> Other Datasheet Change

<b>Change Sub-Category(s):</b> <input type="checkbox"/> Manufacturing Site Change/Addition <input type="checkbox"/> Manufacturing Process Change <input type="checkbox"/> Material Change <input type="checkbox"/> Product specific change	<input checked="" type="checkbox"/> Datasheet/Product Doc change <input type="checkbox"/> Shipping/Packaging/Marking <input type="checkbox"/> Other: _____
---	--

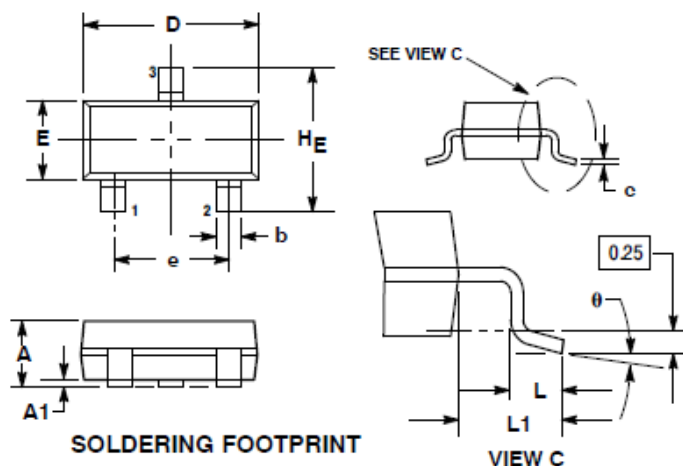
<b>Sites Affected:</b> <input checked="" type="checkbox"/> All site(s) <input type="checkbox"/> not applicable <input type="checkbox"/> ON Semiconductor site(s) : _____	<input type="checkbox"/> External Foundry/Subcon site(s) Select Site
---	---

**Description and Purpose:**

Updated flat lead length (L) and lead thickness (c) dimensions in datasheets to align with actual dimensions. Corrected the conversion error between millimeters and inches.

There is no change to the form, fit, or function of the physical part.

All related datasheets will be updated to be in line with this Product Bulletin.



**Previous Table**

DIM	MILLIMETERS			INCHES		
	MIN	NOM	MAX	MIN	NOM	MAX
A	0.890	1.000	1.110	0.035	0.040	0.044
A1	0.010	0.060	0.100	0.001	0.002	0.004
b	0.370	0.440	0.500	0.015	0.018	0.020
c	0.090	0.130	0.180	0.003	0.005	0.007
D	2.800	2.900	3.040	0.110	0.114	0.120
E	1.200	1.300	1.400	0.047	0.051	0.055
e	1.780	1.900	2.040	0.070	0.075	0.081
L	0.100	0.200	0.300	0.004	0.008	0.012
L1	0.350	0.540	0.690	0.014	0.021	0.029
HE	2.100	2.400	2.640	0.083	0.094	0.104
theta	0°	---	10°	0°	---	10°

**New Table**

DIM	MILLIMETERS			INCHES		
	MIN	NOM	MAX	MIN	NOM	MAX
A	0.89	1.00	1.11	0.035	0.039	0.044
A1	0.01	0.06	0.10	0.000	0.002	0.004
b	0.37	0.44	0.50	0.015	0.017	0.020
c	0.08	0.14	0.20	0.003	0.006	0.008
D	2.80	2.90	3.04	0.110	0.114	0.120
E	1.20	1.30	1.40	0.047	0.051	0.055
e	1.78	1.90	2.04	0.070	0.075	0.080
L	0.30	0.43	0.55	0.012	0.017	0.022
L1	0.35	0.54	0.69	0.014	0.021	0.027
HE	2.10	2.40	2.64	0.083	0.094	0.104
theta	0°	---	10°	0°	---	10°



## List of Affected Standard Parts:

2V7002KT1G	SBAV199LT3G	SMMUN2238LT1G	SZBZX84C8V2ET3G
2V7002LT1G	SBAV70LT1G	SZBZX84B10LT1G	SZBZX84C8V2LT1G
2V7002LT3G	SBAV70LT3G	SZBZX84B12LT1G	SZBZX84C8V2LT3G
BVSS123LT1G	SBAV99LT1G	SZBZX84B15LT1G	SZBZX84C9V1ET1G
BVSS138LT1G	SBAV99LT3G	SZBZX84B16LT1G	SZBZX84C9V1ET3G
BVSS138LT3G	SBAW56LT1G	SZBZX84B18LT1G	SZBZX84C9V1LT1G
BVSS84LT1G	SBAW56LT3G	SZBZX84B22LT1G	SZBZX84C9V1LT3G
MMBFV170LT3G	SBC807-16LT1G	SZBZX84B24LT1G	SZCM1214A-01SO
MVGSF1N02LT1G	SBC807-16LT3G	SZBZX84B27LT1G	SZMA3075WALT1G
MVGSF1N03LT1G	SBC807-25LT1G	SZBZX84B3V3LT1G	SZMMBZ12VALT1G
MVMBF0201NLT1G	SBC807-25LT3G	SZBZX84B4V7LT1G	SZMMBZ15VALT1G
MVSF2N02ELT1G	SBC807-40LT1G	SZBZX84B5V1LT1G	SZMMBZ15VALT3G
NCP431ACSNT1G	SBC807-40LT3G	SZBZX84B5V6LT1G	SZMMBZ15VDLT1G
NCP431AISNT1G	SBC808-25LT1G	SZBZX84B6V2LT1G	SZMMBZ15VDLT3G
NCP431AVSNT1G	SBC817-16LT3G	SZBZX84B6V8LT1G	SZMMBZ15XALT1G
NCP431BCSNT1G	SBC817-25LT1G	SZBZX84B7V5LT1G	SZMMBZ15XALT3G
NCP431BISNT1G	SBC817-25LT3G	SZBZX84B8V2LT1G	SZMMBZ16VALT1G
NCP431BVPST1G	SBC817-40LT1G	SZBZX84B9V1LT1G	SZMMBZ16VTALT1G
NCP431BVSNT1G	SBC817-40LT3G	SZBZX84B9V1LT3G	SZMMBZ18VALT1G
NCP432BCSNT1G	SBC846ALT1G	SZBZX84C10ET1G	SZMMBZ18VALT3G
NCP432BISNT1G	SBC846BLT1G	SZBZX84C10LT1G	SZMMBZ20VALT1G
NCP432BVSNT1G	SBC846BLT3G	SZBZX84C11ET1G	SZMMBZ20VALT3G
NCP803SN463D1T1G	SBC847BLT1G	SZBZX84C11LT1G	SZMMBZ27VALT1G
NCV809LTRG	SBC847CLT1G	SZBZX84C11LT3G	SZMMBZ27VALT3G
NCV809MTRG	SBC848BLT1G	SZBZX84C12ET1G	SZMMBZ27VCLT1G
NCV809RTRG	SBC856ALT1G	SZBZX84C12ET3G	SZMMBZ27VCLT3G
NCV809SN293D1T1G	SBC856BLT1G	SZBZX84C12LT1G	SZMMBZ27XALT1G
NCV809SN293D2T1G	SBC856BLT3G	SZBZX84C12LT3G	SZMMBZ27XALT3G
NCV809STRG	SBC857ALT1G	SZBZX84C13ET1G	SZMMBZ33VALT1G
NCV809TTRG	SBC857BLT1G	SZBZX84C13LT1G	SZMMBZ33VALT3G
NSV12200LT1G	SBC857CLT1G	SZBZX84C13LT3G	SZMMBZ39VCLT1G
NSV1C200LT1G	SBCW30LT1G	SZBZX84C15ET1G	SZMMBZ39VCLT3G
NSV1C201LT1G	SBCW33LT1G	SZBZX84C15ET3G	SZMMBZ4252T1G
NSV20200LT1G	SBCW66GLT1G	SZBZX84C15LT1G	SZMMBZ4252T3G
NSV20201LT1G	SBCW72LT1G	SZBZX84C15LT3G	SZMMBZ47VALT1G
NSV30100LT1G	SBCX19LT1G	SZBZX84C15XET1G	SZMMBZ47VTALT1G
NSV40200LT1G	SBSS84LT1G	SZBZX84C15XET3G	SZMMBZ5221BLT1G
NSV40201LT1G	SBVS138LT1G	SZBZX84C16ET1G	SZMMBZ5222BLT1G
NSV60200LT1G	SC431AVSNT1G	SZBZX84C16ET3G	SZMMBZ5225BLT1G
NSV60201LT1G	SC431BVSNT1G	SZBZX84C16LT1G	SZMMBZ5226BLT1G
NSVBAS116LT3G	SC432BVSNT1G	SZBZX84C16LT3G	SZMMBZ5227BLT1G
NSVBAS19LT1G	SCV431BSN1T1G	SZBZX84C18ET1G	SZMMBZ5228BLT1G
NSVBAS20LT3G	SESDONCAN1LT1G	SZBZX84C18LT1G	SZMMBZ5229BLT1G



NSVBAS21SLT1G	SESDONCAN1LT3G	SZBZX84C18LT3G	SZMMBZ5230BLT1G
NSVBAS70LT1G	SMBD1122LT3G	SZBZX84C20ET1G	SZMMBZ5231BLT1G
NSVBAT54LT1G	SMBF1035LT3G	SZBZX84C20LT1G	SZMMBZ5231BLT3G
NSVBAV23CLT1G	SMBT1231LT3G	SZBZX84C22ET1G	SZMMBZ5231ELT1G
NSVBC817-16LT1G	SMBT1504T3G	SZBZX84C22LT1G	SZMMBZ5232BLT1G
NSVBC818-40LT1G	SMBT1505T3G	SZBZX84C22LT3G	SZMMBZ5232BLT3G
NSVBC847BLT3G	SMBT1580LT1G	SZBZX84C24ET1G	SZMMBZ5233BLT1G
NSVBC848CLT1G	SMBZ1443LT3DSG	SZBZX84C24LT1G	SZMMBZ5234BLT1G
NSVBC850BLT1G	SMBZ1449-10LT3G	SZBZX84C27ET1G	SZMMBZ5234BLT3G
NSVBC850CLT1G	SMBZ1449-11LT3G	SZBZX84C27ET3G	SZMMBZ5235BLT1G
NSVBC857BLT3G	SMBZ1449-20LT3G	SZBZX84C27LT1G	SZMMBZ5235BLT3G
NSVBC858BLT1G	SMBZ1475LT3G	SZBZX84C27LT3G	SZMMBZ5236BLT1G
NSVBC858CLT1G	SMMBD2835LT1G	SZBZX84C2V4ET1G	SZMMBZ5237BLT1G
NSVBCW32LT1G	SMMBD2837LT1G	SZBZX84C2V4LT1G	SZMMBZ5238BLT1G
NSVBCW68GLT1G	SMMBD301LT3G	SZBZX84C2V7ET1G	SZMMBZ5239BLT1G
NSVBCX17LT1G	SMMBD7000LT1G	SZBZX84C2V7LT1G	SZMMBZ5239ELT1G
NSVBSS63LT1G	SMMBD7000LT3G	SZBZX84C30ET1G	SZMMBZ5240BLT1G
NSVD070ALT1G	SMMBD701LT1G	SZBZX84C30LT1G	SZMMBZ5240ELT1G
NSVMMD353LT1G	SMMBD914LT1G	SZBZX84C33ET1G	SZMMBZ5241BLT1G
NSVMMD354LT1G	SMMBD914LT3G	SZBZX84C33ET3G	SZMMBZ5242BLT1G
NSVMMBT5087LT1G	SMMBF4393LT1G	SZBZX84C33LT1G	SZMMBZ5242ELT1G
NSVMMBT5087LT3G	SMMBFJ175LT1G	SZBZX84C33LT3G	SZMMBZ5243BLT1G
NSVMMBT5088LT3G	SMMBFJ177LT1G	SZBZX84C36ET1G	SZMMBZ5244BLT1G
NSVMMBT5401LT3G	SMMBFJ309LT1G	SZBZX84C36LT1G	SZMMBZ5245BLT1G
NSVMMBT589LT1G	SMMBFJ310LT1G	SZBZX84C36LT3G	SZMMBZ5245BLT3G
NSVMMBT6429LT1G	SMMBFJ310LT3G	SZBZX84C39ET1G	SZMMBZ5245ELT1G
NSVMMBT6520LT1G	SMMBT2222ALT1G	SZBZX84C39LT1G	SZMMBZ5246BLT1G
NSVMMBTA05LT1G	SMMBT2222ALT3G	SZBZX84C39LT3G	SZMMBZ5246ELT1G
NSVMMBTH10LT1G	SMMBT2369ALT1G	SZBZX84C3V0ET1G	SZMMBZ5247BLT1G
NSVMMUN2112LT1G	SMMBT2369LT1G	SZBZX84C3V0LT1G	SZMMBZ5248BLT1G
NSVMMUN2113LT3G	SMMBT2907ALT1G	SZBZX84C3V3ET1G	SZMMBZ5248BLT3G
NSVMMUN2114LT3G	SMMBT2907ALT3G	SZBZX84C3V3LT1G	SZMMBZ5248ELT1G
NSVMMUN2131LT1G	SMMBT3904LT1G	SZBZX84C3V3LT3G	SZMMBZ5249BLT1G
NSVMMUN2132LT1G	SMMBT3904LT3G	SZBZX84C3V6ET1G	SZMMBZ5250BLT1G
NSVMMUN2133LT1G	SMMBT3906LT1G	SZBZX84C3V6LT1G	SZMMBZ5250ELT1G
NSVMMUN2135LT1G	SMMBT3906LT3G	SZBZX84C3V6LT3G	SZMMBZ5252BLT1G
NSVMMUN2137LT1G	SMMBT4401LT1G	SZBZX84C3V9ET1G	SZMMBZ5252ELT1G
NSVMMUN2138LT1G	SMMBT4403LT1G	SZBZX84C3V9ET3G	SZMMBZ5253BLT1G
NSVMMUN2212LT1G	SMMBT5088LT1G	SZBZX84C3V9LT1G	SZMMBZ5254BLT1G
NSVMMUN2217LT1G	SMMBT5089LT1G	SZBZX84C43ET1G	SZMMBZ5256BLT1G
NSVMMUN2230LT1G	SMMBT5401LT1G	SZBZX84C43LT1G	SZMMBZ5256ELT1G
NSVMMUN2232LT1G	SMMBT5551LT1G	SZBZX84C47ET1G	SZMMBZ5257BLT1G
NSVMMUN2232LT3G	SMMBT5551LT3G	SZBZX84C47LT1G	SZMMBZ5257ELT1G
NSVMMUN2233LT3G	SMMBT6427LT1G	SZBZX84C47LT3G	SZMMBZ5258BLT1G
NSVMMUN2235LT1G	SMMBT6521LT1G	SZBZX84C4V3ET1G	SZMMBZ5259BLT1G



NSVMMUN2237LT1G	SMMBTA06LT1G	SZBZX84C4V3LT1G	SZMMBZ5260BLT1G
NTRV4101PT1G	SMMBTA06LT3G	SZBZX84C4V3LT3G	SZMMBZ5261BLT1G
NVR1P02T1G	SMMBTA13LT1G	SZBZX84C4V7ET1G	SZMMBZ5261ELT1G
NVR4003NT3G	SMMBTA14LT1G	SZBZX84C4V7LT1G	SZMMBZ5262BLT1G
NVR4501NT1G	SMMBTA14LT3G	SZBZX84C4V7LT3G	SZMMBZ5263BLT1G
NVR5124PLT1G	SMMBTA42LT1G	SZBZX84C51ET1G	SZMMBZ5263ELT1G
NVR5198NLT1G	SMMBTA42LT3G	SZBZX84C51LT1G	SZMMBZ5264BLT1G
NVR5198NLT3G	SMMBTA56LT1G	SZBZX84C56ET1G	SZMMBZ5268BLT1G
NVTR01P02LT1G	SMMBTA56LT3G	SZBZX84C56LT1G	SZMMBZ5270BLT1G
NVTR0202PLT1G	SMMBTA64LT1G	SZBZX84C5V1ET1G	SZMMBZ5V6ALT1G
NVTR4502PT1G	SMMBTA92LT1G	SZBZX84C5V1ET3G	SZMMBZ5V6ALT3G
NVTR4503NT1G	SMMBTA92LT3G	SZBZX84C5V1LT1G	SZMMBZ6V2ALT1G
S1ZMMBZ12VALT1G	SMMBTH10-4LT3G	SZBZX84C5V1LT3G	SZMMBZ6V8ALT1G
S1ZMMBZ22VALT3G	SMMBZ33VALT1G	SZBZX84C5V6ET1G	SZMMBZ6V8ALT3G
S1ZMMBZ5245BLT1G	SMMBZ33VALT3G	SZBZX84C5V6ET3G	SZMMBZ9V1ALT3G
S2ZMMBZ15VDLT1G	SMMBZ33XALT1G	SZBZX84C5V6LT1G	SZNUD3112LT1G
S2ZMMBZ18VALT1G	SMMBZ33XALT3G	SZBZX84C5V6LT3G	SZNUD3124LT1G
S2ZMMBZ18VALT3G	SMMUN2111LT1G	SZBZX84C62ET1G	SZNUD3160LT1G
SBAS116LT1G	SMMUN2111LT3G	SZBZX84C62LT1G	SZNUP1105LT1G
SBAS16LT1G	SMMUN2113LT1G	SZBZX84C68ET1G	SZNUP1301ML3T1G
SBAS16LT3G	SMMUN2114LT1G	SZBZX84C68LT1G	SZNUP2105LT1G
SBAS20LT1G	SMMUN2116LT1G	SZBZX84C6V2ET1G	SZNUP2105LT3G
SBAS21LT1G	SMMUN2116LT3G	SZBZX84C6V2ET3G	SZNUP2115LT1G
SBAS21LT3G	SMMUN2134LT1G	SZBZX84C6V2LT1G	SZNUP2115LT3G
SBAS40-04LT1G	SMMUN2211LT1G	SZBZX84C6V2LT3G	SZNUP3105LT1G
SBAS40-06LT1G	SMMUN2211LT3G	SZBZX84C6V8ET1G	SZNUP3105LT3G
SBAS40LT1G	SMMUN2213LT1G	SZBZX84C6V8LT1G	SZPACDN042Y3R
SBAS40LT3G	SMMUN2213LT3G	SZBZX84C6V8LT3G	SZSL05T1G
SBAS70-04LT1G	SMMUN2214LT1G	SZBZX84C75ET1G	SZSL15T1G
SBAT54ALT1G	SMMUN2215LT1G	SZBZX84C75LT1G	SZSL24T1G
SBAT54ALT3G	SMMUN2216LT1G	SZBZX84C7V5ET1G	SZSM05T1G
SBAT54CLT1G	SMMUN2216LT3G	SZBZX84C7V5LT1G	SZSM12T1G
SBAT54SLT1G	SMMUN2233LT1G	SZBZX84C7V5LT3G	TLV431ASN1T1G
SBAV199LT1G	SMMUN2234LT1G	SZBZX84C8V2ET1G	TLV431BSN1T1G



**List of Affected Customer Specific Parts:**

*NOTE: Please be informed that parts impacted by this PDN/PCN are Special/Customer specific parts, thus MPN & CPN info will be available to affected customers only by clicking the ["Custom PCN for Selected Company Button"](#) in the Document Analysis page of PCMS/PCN Alert.*