

## Side element - UMK-SE 11,25 - 2970002

Please be informed that the data shown in this PDF Document is generated from our Online Catalog. Please find the complete data in the user's documentation. Our General Terms of Use for Downloads are valid (<http://phoenixcontact.com/download>)

Universal module, comprising: Side element, 11.25 mm wide, with marker groove



### Your advantages

- ✓ The modules can be marked using the marking grooves in the lateral element as well as with the Phoenix Contact PMB module marker, which is snapped into a bore hole (4 mm Ø) in the PCB
- ✓ Wide range of options for external conductor connection
- ✓ Fast assembly thanks to the plug-in module principle. The tight engagement of the individual elements ensures that they are securely connected.
- ✓ Due to the universal foot, the modules can be snapped onto standard EN DIN rails
- ✓ The mounting flange supports direct wall mounting

### Key Commercial Data

Packing unit	10 pc
Minimum order quantity	10 pc
GTIN	 4 017918 087531
GTIN	4017918087531
Weight per Piece (excluding packing)	6.090 g
Custom tariff number	85389099
Country of origin	Poland

### Technical data

#### Product properties

Brief article description	Side element
Type	UMK-SE 11,25
Order No.	2970002
Housing type	Press-drawn section housings
Type	Lateral element

#### Dimensions

## Side element - UMK-SE 11,25 - 2970002

### Technical data

#### Dimensions

Length	11.25 mm
Profile width (external)	77 mm
Profile width (internal)	72.2 mm
Depth	15.5 mm

#### Material specifications

Housing material	Polyamide
Color (RAL)	green
Flammability rating according to UL 94	V2

#### Packaging specifications

Pieces per package	10
Denomination packing units	Pcs.

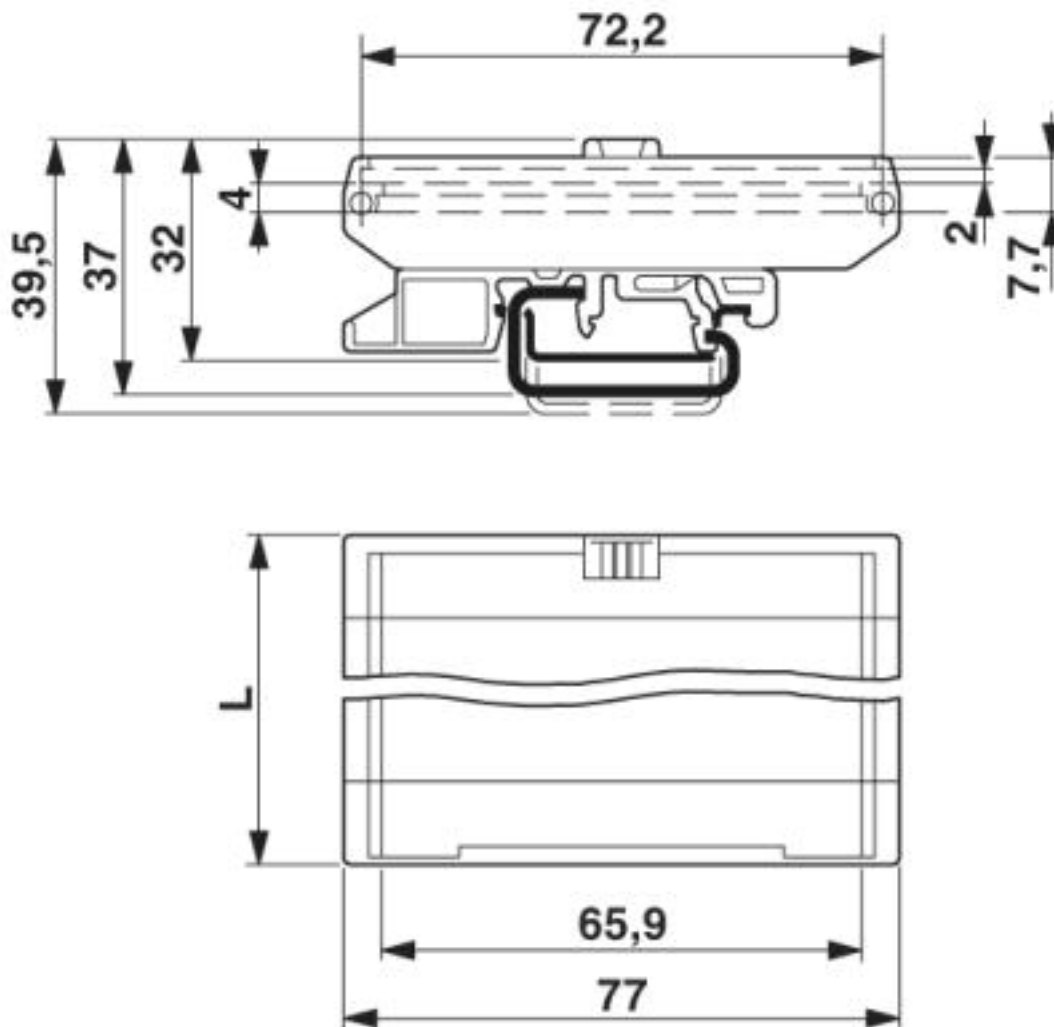
#### Environmental Product Compliance

China RoHS	Environmentally friendly use period: unlimited = EFUP-e
	No hazardous substances above threshold values

### Drawings

## Side element - UMK-SE 11,25 - 2970002

Dimensional drawing



## Classifications

eCl@ss

eCl@ss 10.0.1	27182701
eCl@ss 4.0	27180400
eCl@ss 4.1	27180400
eCl@ss 5.0	27180500
eCl@ss 5.1	27180500
eCl@ss 6.0	27180800
eCl@ss 7.0	27182701
eCl@ss 8.0	27182701
eCl@ss 9.0	27182701

# Side element - UMK-SE 11,25 - 2970002

## Classifications

### ETIM

ETIM 2.0	EC001031
ETIM 3.0	EC001031
ETIM 4.0	EC001031
ETIM 5.0	EC002779
ETIM 6.0	EC002779
ETIM 7.0	EC002779

### UNSPSC

UNSPSC 6.01	31261501
UNSPSC 7.0901	31261501
UNSPSC 11	31261501
UNSPSC 12.01	31261501
UNSPSC 13.2	31261501
UNSPSC 18.0	31261501
UNSPSC 19.0	31261501
UNSPSC 20.0	31261501
UNSPSC 21.0	31261501

## Approvals

### Approvals

Approvals

UL Recognized / EAC

Ex Approvals

### Approval details

UL Recognized		<a href="http://database.ul.com/cgi-bin/XYV/template/LISEXT/1FRAME/index.htm">http://database.ul.com/cgi-bin/XYV/template/LISEXT/1FRAME/index.htm</a>	FILE E 240868
---------------	--	---	---------------

EAC		B.01742
-----	--	---------