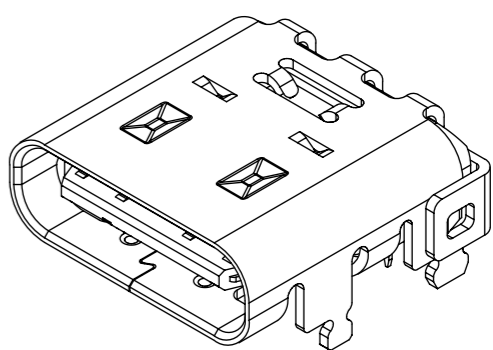
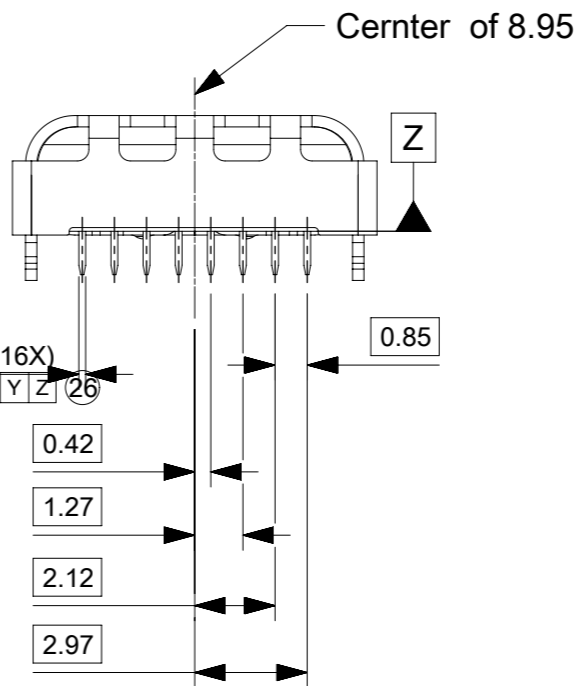


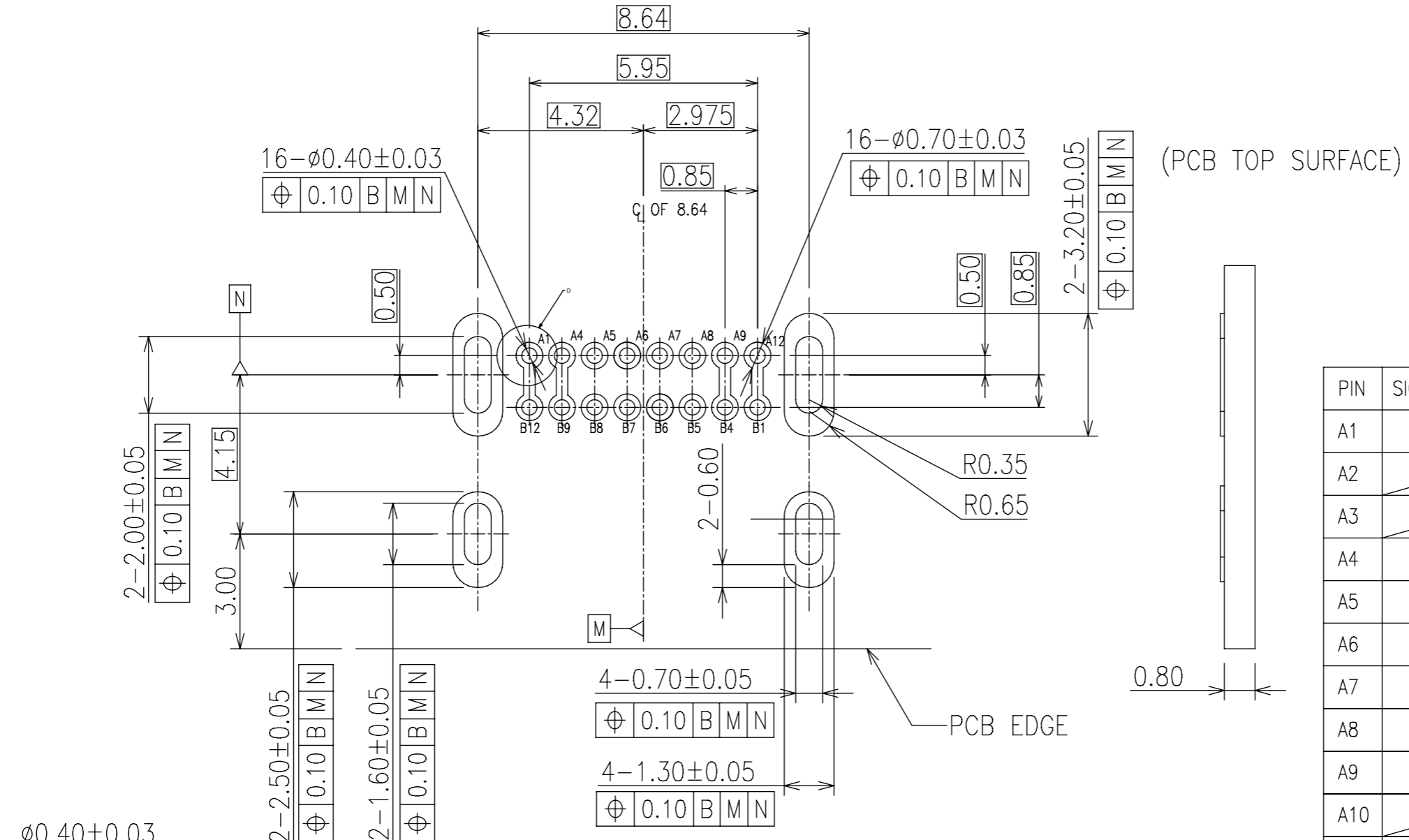
SECTION A-A

NOTES :

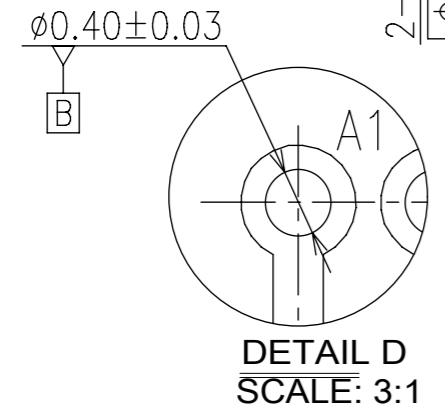
- 1.MATERIAL:
 - 1.1 INNER BLADE : HIGH TEMPERATURE THERMAL PLASTIC BLACK,UL94V-0 ;
 - 1.2 TERMINAL : COPPER ALLOY ;
 - 1.3 SHELL : STAINLESS STEEL ;
 - 1.4 MIDDLE CLIP : STAINLESS STEEL ;
- 2.PLATING:
 - 2.1 TERMINAL:OVERALL PLATING Ni BASE 50u"MIN , PLATING Au 1u"MIN IN SOLDERING AREA,PLATING Au 3u"MIN IN CONTACT AREA;
 - 2.2 SHELL:OVERALL PLATING Ni 50u"-120u";
 - 2.3 MIDDLE CLIP:CLEANING;
3. PRODUCT SPER REFER TO PS-213716-001
4. PACKAGE SPEC REFER TO 2137169999PDD000.
5. SHELL CANNOT BE LOOSE.



THIS DRAWING CONTAINS INFORMATION THAT IS PROPRIETARY TO MOLEX ELECTRONIC TECHNOLOGIES, LLC AND SHOULD NOT BE USED WITHOUT WRITTEN PERMISSION									
DIMENSION UNITS		SCALE		CURRENT REV DESC: RELEASED					
mm		1:1		<p>USB C,REC,16PIN,DUAL DIP,R/A</p> <p>PRODUCT CUSTOMER DRAWING</p>					
GENERAL TOLERANCES (UNLESS SPECIFIED)									
ANGULAR TOL ± 3.0 °									
4 PLACES ±		EC NO: 626671							
3 PLACES ±		DRWN: FYANG05 2019/07/19							
2 PLACES ± 0.1		CHK'D: RZHANG 2019/11/15							
1 PLACE ± 0.2		APPR: RZHANG 2019/11/15		DOCUMENT NUMBER		DOC TYPE		DOC PART REVISION	
0 PLACES ± 0.3		INITIAL REVISION:		2137160001		PSD		000 A	
DRAFT WHERE APPLICABLE MUST REMAIN WITHIN DIMENSIONS		THIRD ANGLE PROJECTION		DRAWING		SERIES		MATERIAL NUMBER	
		A3-SIZE		213716		2137160001		GENERAL MARKET	
								SHEET NUMBER	
								1 OF 2	



PIN	SIGNAL NAME	PIN	SIGNAL NAME
A1	GND	B12	GND
A2		B11	
A3		B10	
A4	VBUS	B9	VBUS
A5	CC1	B8	SBU2
A6	Dp1	B7	Dn2
A7	Dn1	B6	Dp2
A8	SBU1	B5	CC2
A9	VBUS	B4	VBUS
A10		B3	
A11		B2	
A12	GND	B1	GND



RECOMMENDED PCB LAYOUT
GENERAL TOLERANCE ±0.05

THIS DRAWING CONTAINS INFORMATION THAT IS PROPRIETARY TO MOLEX ELECTRONIC TECHNOLOGIES, LLC AND SHOULD NOT BE USED WITHOUT WRITTEN PERMISSION

DIMENSION UNITS mm	SCALE 1:1	CURRENT REV DESC: RELEASED		molex		
GENERAL TOLERANCES (UNLESS SPECIFIED)		EC NO: 626671				
ANGULAR TOL	± 3.0°	DRWN: FYANG05	2019/07/19	PRODUCT CUSTOMER DRAWING		
4 PLACES	±	CHK'D: RZHANG	2019/11/15	DOCUMENT NUMBER		
3 PLACES	±	APPR: RZHANG	2019/11/15	2137160001		
2 PLACES	± 0.1	INITIAL REVISION:		DOC TYPE	DOC PART	REVISION
1 PLACE	± 0.2	DRWN: FYANG05	2019/07/19	PSD	000	A
0 PLACES	± 0.3	APPR: RZHANG	2019/11/15	SHEET NUMBER		
DRAFT WHERE APPLICABLE MUST REMAIN WITHIN DIMENSIONS	THIRD ANGLE PROJECTION	DRAWING	SERIES	MATERIAL NUMBER	CUSTOMER	SHEET NUMBER
		A3-SIZE	213716	2137160001	GENERAL MARKET	2 OF 2