

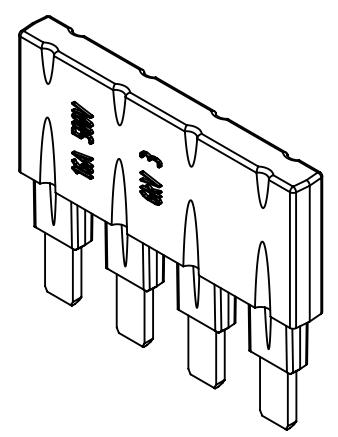
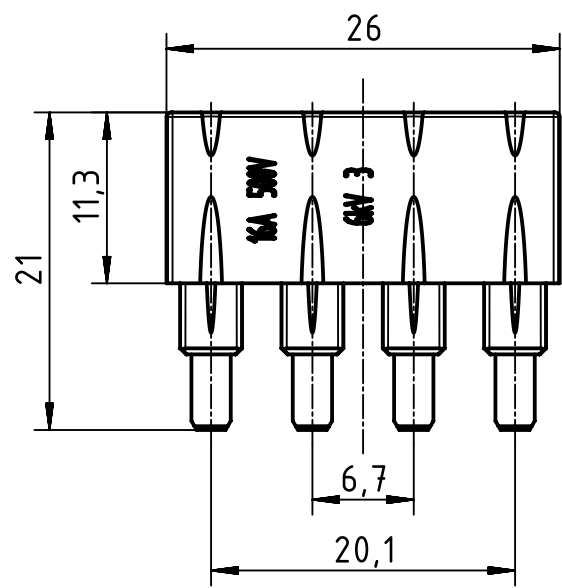
1 2 3 4 5 6

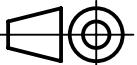

A

B

C

D



 All Dimensions in mm Original Size DIN A4	Scale	Free size tol.		Ref.	
	2:1			Sub.	
 All rights reserved Department EL PD	Created by	Inspected by	Standardisation	Date	State
	HELLMANN	RIEPE	RUETERA	2018-05-24	Final Release
HARTING Electric GmbH & Co. KG D-32339 Espelkamp	Title			Doc-Key / ECM-Nr.	
	Jumper Along 1x4 blue 16A			100780416/UGD/000/A 500000135119	
Type		Number		Rev.	Page
TB		09 33 000 9843		A	1/1