

Tous droits strictement réservés. Reproduction ou utilisation interdite sans autorisation écrite du propriétaire. Property of FCI. Droits de reproduction FCI.

**REFERENCE SPECIFICATIONS**

- DIN 41652
- MIL-DTL-24308

**PHYSICAL CHARACTERISTICS**

- INSULATOR MATERIAL:
- PBT COLOR BLACK-RAL 7001/STANDARD MATERIAL
- CONTACT MATERIAL: - PHOSPHOR BRONZE FOR STRAIGHT CONTACT AND RA SOCKET  
- BRASS FOR RA PIN
- GROUNDING DEVICE MATERIAL : - BRASS FOR RIGHT ANGLE CONTACT

**ELECTRICAL CHARACTERISTICS**

- MAXIMUM RATING CURRENT: 5A AT 70°C
- NOMINAL CURRENT: 5A (STANDARD CONDITIONS)
- CONTACT RESISTANCE : straight terminations: <10mW  
Right angled termination: <25mΩ  
: <35mΩ for 50 way
- VOLTAGE PROOF : >1000 V.r.m.s.
- RATED VOLTAGE : 300 V.r.m.s.
- insulation resistance: >5000mS
- creepage and clearance distance: >1mm
- average wiping length: 2mm

**MECHANICAL CHARACTERISTICS**

- RETENTION AGAINST TORQUE: - Threaded insert: 0.7 N.m minimum  
- Female screw lock: 0.5 N.m minimum
- INSERTION AND WITH DRAWAL FORCE: <n x 3.40 N (n number of cts)
- GAUGE RETENTION FORCE : >0.20 N (gauge PM)
- THICKNESS GAUGE = Ø0.99±0.005 / SURFACE ROUGHNESS:  
Ra=0.10µ mini- 0.25µ maxi
- CONTACT RETENTION IN INSULATOR : mini 16N for straight contact  
mini 20N for right angled contact
- VIBRATIONS: 10-2000Hz / 1.5 mm - 20g / 3 x 2 HRS
- INTERRUPTION <1µs (NOT APPLICABLE FOR PL3)
- SHOCK: ACC. HALF SINE 50g- 11m.s-6x3 SHOCKS
- INTERRUPTION <1µs
- HARPOON INSERTION FORCE: <60N

**PERFORMANCE LEVELS**

MECHANICAL ENDURANCE ONLY	
P/N: DXXXXCXXXXXX	PERFORMANCE LEVELS
4	200 OPERATIONS PL3
6	400 OPERATIONS PL1

MECHANICAL ENDURANCE AND INDUSTRIAL ATMOSPHERE TEST(1)		
P/N: DXXXXCXXXXXX	PERFORMANCE LEVELS	
4	salt spray: 24 hours	PL3
6	250 op + test (1 or 2)-10 days + 250 op	PL1

1) INDUSTRIAL ATMOSPHERE TEST: 3 GASES available for contacts and grounding device

IN ACCORDANCE WITH IEC-68-2-60-TTD - TEST ke - MTH C OR IEC 512-6 TEST 11g

MIXED GASES: H2S=10 PPB±5.10-9vol/vol +N2O=200±50.10-9 vol/vol + CL2=10±5.10-9vol/vol

TEMPERATURE = 30±1°C / RELATIVE HUMIDITY= 70±3°C

(2) INDUSTRIAL ATMOSPHERE TEST: 4 GASES available for contacts active area only

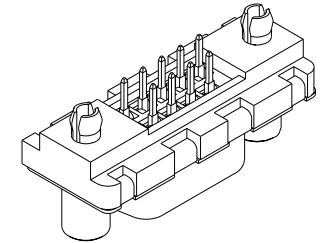
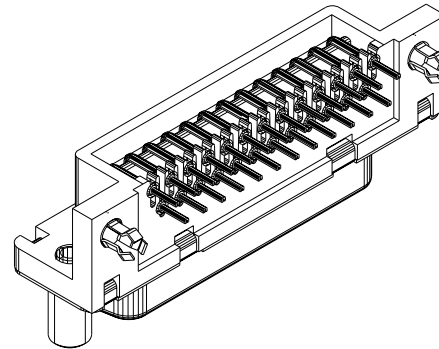
BELCORE TEST : MIXED GASES: H2S=10 PPB±5 vol/vol +N2O=200ppb±50 vol/vol + CL2=10ppb±3vol/vol + S2O=100ppb±30vol/vol  
TEMPERATURE = 30±1°C / RELATIVE HUMIDITY= 70±2°C

**ENVIRONMENTAL CHARACTERISTICS**

- CLIMATIC CATEGORY: 55/125/56
- TEMPERATURE RANGE -55°C TO +125°C
- DAMP HEAT STEADY STATE 56 DAYS

RIGHT ANGLED

STRAIGHT



**PLATING TIN LEAD VERSION**

- CONTACT:
  - GOLD OVER NICKEL ON MATING SURFACES
  - TIN LEAD OVER NICKEL ON TERMINATION PARTS
- SHELL AND ACCESSORIES TIN LEAD OVER COPPER

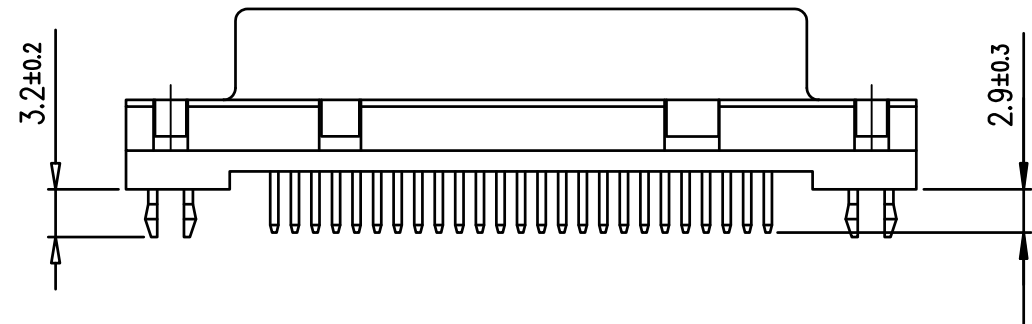
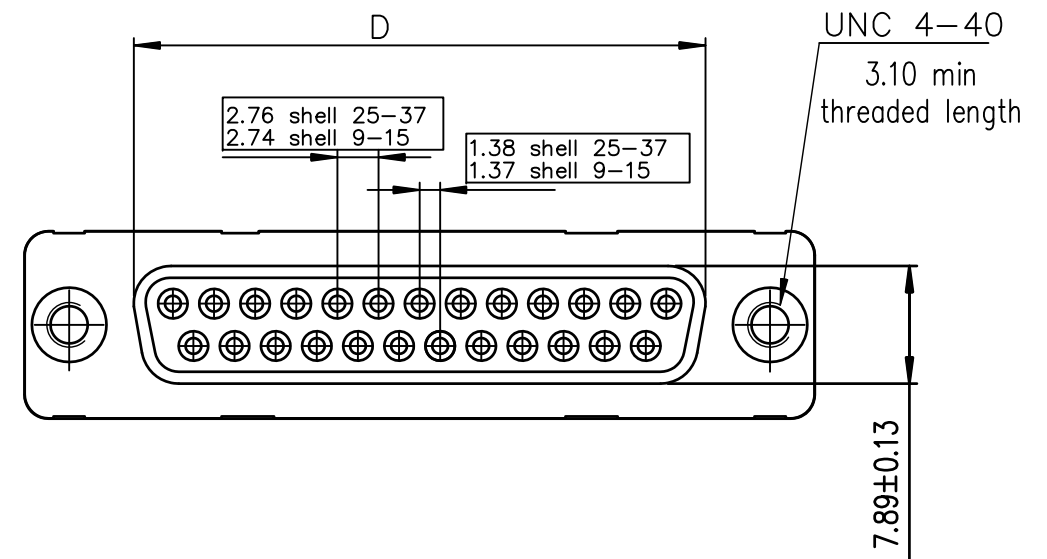
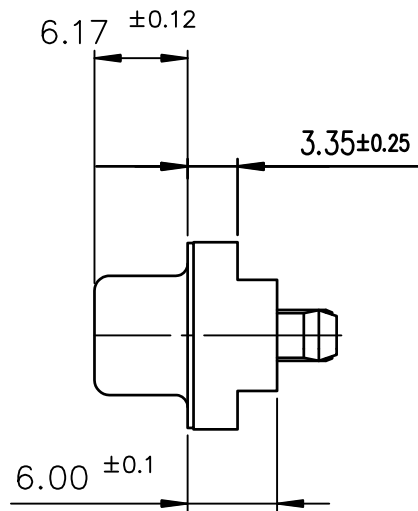
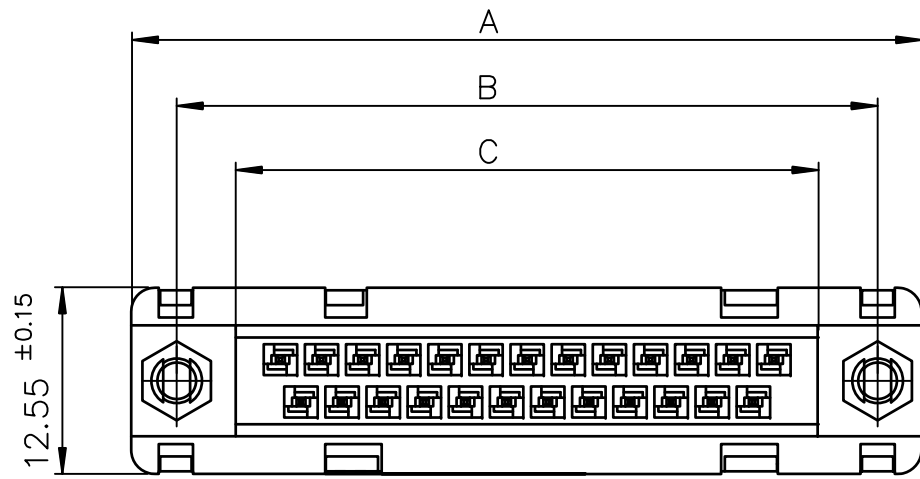
**PLATING TIN VERSION**

**NOTE RoHS INFORMATIONS**

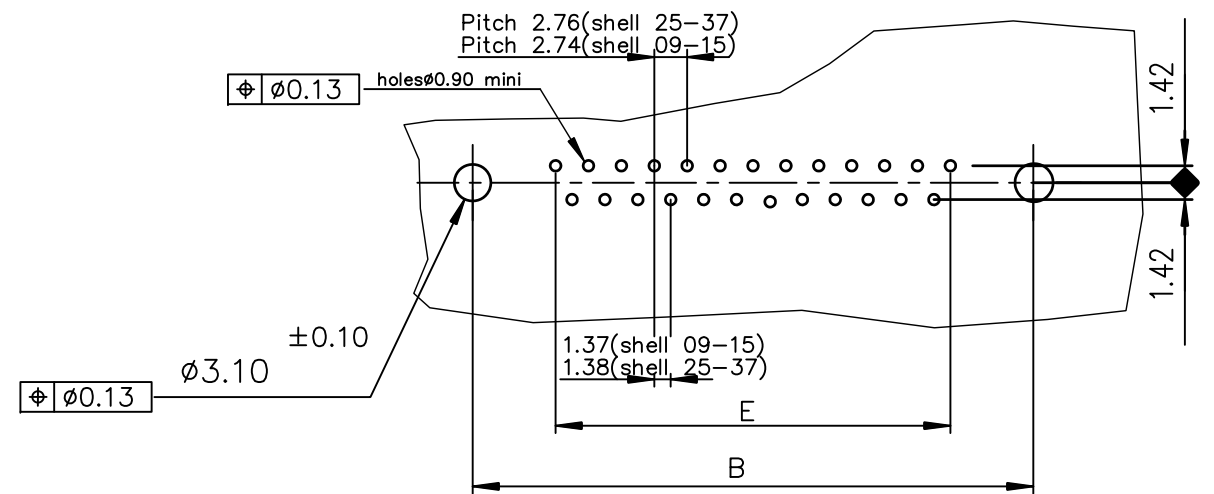
- The "LF" products meet European union Directives and other country regulations as described in GS-22-008
- The housing will withstand exposure to 260°C peak temperature for 3.5 seconds in a wave solder application with a 1.6 mm minimum thickcircuit board. See application notes/procedures if they are available.
- Termination plating spec: 1.27µm Nickel mini, 2.5 to 7.5 µm Sn (pure matte)
- Shell plating: 2 to 4 µm Cu + 3 to 10 µ Sn (pure bright)
- Accessories: Sn pure bright
- Packaging spec: see GS-14-920

<b>FCI</b> www.fciconnect.com		surface - ✓	tolerance	projection	↔
Dr	JOUBERT	30/11/00	Product family	- size A3	Scale 1:1
Eng			Spec ref		
Chr			Material	SEE NOTES	ECN LS05-0039
Appr	LEGARE	30/11/00			
title	DELTA D SOLDER CTS CONNECTORS			dwg no	C01-8646-0000
	GENERAL CHARACTERISTICS				Rev. C
catalog no	- CUSTOMER COPY			sheet 1 of 1	

lfr	ecn no	dr	date
B	-	SJO	97/08/02
E	ES05-0039	EMA	26/01/05
-	-	-	-
-	-	-	-
-	-	-	-
-	-	-	-
-	-	-	-



PC card drilling dimensions(after plating)  
(thickness 1.60±0.20mm)



LEAD FREE PART NUMBER

SHELL	A±0.38	B±0.12	C±0.10	D±0.25	E±0.07	PART NUMBER
09	30.81	24.99	16.96	16.21	10.96	D09S24A.GX00LF
15	39.14	33.32	25.18	24.54	19.18	D15S24A.GX00LF
25	53.03	47.04	39.12	38.25	33.12	D25S24A.GX00LF
37	69.32	63.50	55.68	54.71	49.68	D37S24A.GX00LF

Plating: 4 --> Flash Au  
Plating: 6 --> 0.76µ Au

GENERAL CHARACTERISTICS AND ROHS INFORMATIONS:  
SEE DRAWING C01-8646-0000

mat'l. code				surface ISO 1302 ✓		tolerance ISO 406 ISO 1101		projection		product family D-SUB			
ltr ecn no dr date				tolerances unless otherwise specified		angles linear		MM		title			
J ELX-I-21654 AB 2015-10-26				.0±0.1		0°±2'		scale 2:1		FEMALE DELTA-D STRAIGHT, SOLDER TYPE			
dr				JOURBERT 1996-09-10		engr		ALIAS BABU 2015-10-26		dwg no		sheet 1 of 1 size	
chr				MITHUN PAUL 2015-10-26		appd		BIJU K PAUL 2015-10-26		C01-8646-0495		A3	
sheet index				revision sheet		J 1				type		Product Customer Drawing	