

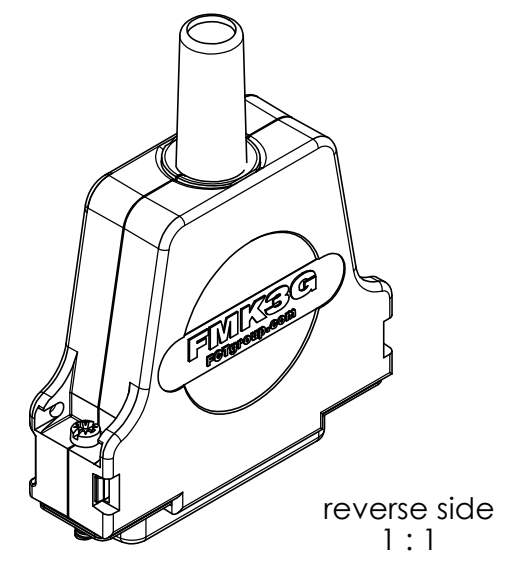
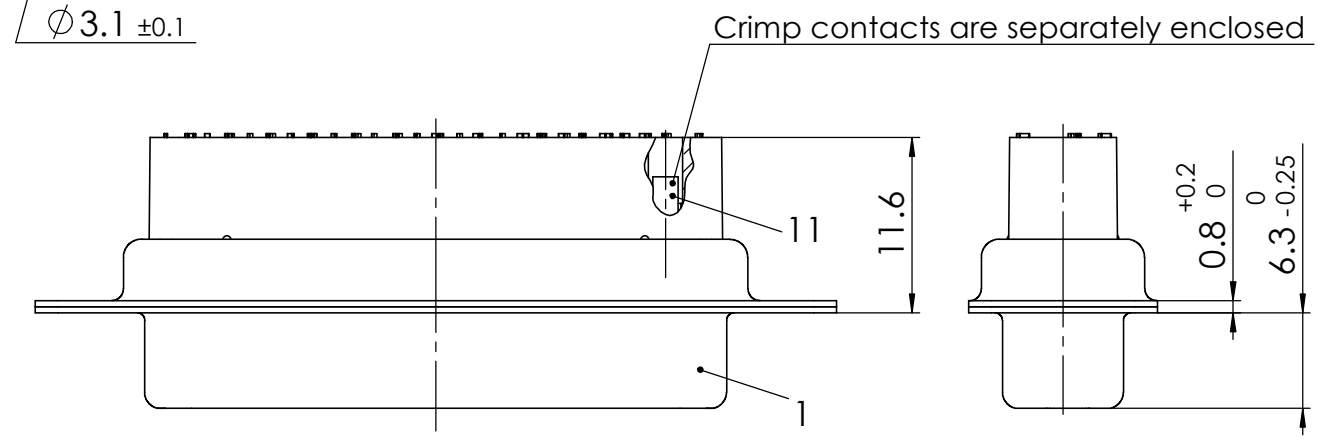
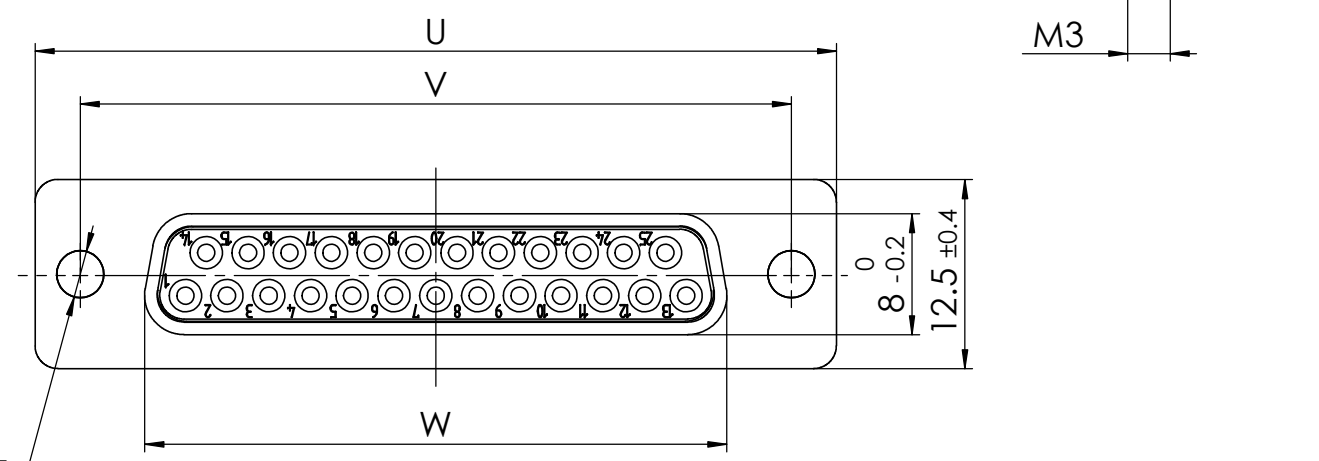
1	2	3	4	5	6	7	8				
Material-No.	Order-No.	Shell Size / for No. of Contacts	B ±0.1	C ±0.3	D ±0.3	∅F1 min - max	∅F2 max l Rubber bushing	H ±0.3	U ±0.4	V ±0.15	W -0.2
1731140962	FMK1G-09S7-6191	1 / 9	25	31.6	39.5	3 - 9.5	6.5	42	30.8	25	16.4
1731140970	FMK2G-15S7-6191	2 / 15	33.3	40	41	3 - 8.5	6.5	43.5	39.1	33.3	24.7
1731140978	FMK3G-25S7-6191	3 / 25	47.04	53.7	45	3 - 8.5	8	47.5	53	47.04	38.5

∅F1 = Cable diameter without rubber bushing  
∅F2 = Cable diameter with rubber bushing

# FMKyG-xxS7-6191

e.g. FMK3G-25S7-6191

\*1) y for hood size 1, 2 or 3  
\*2) xx No. of contacts 09, 15 or 25

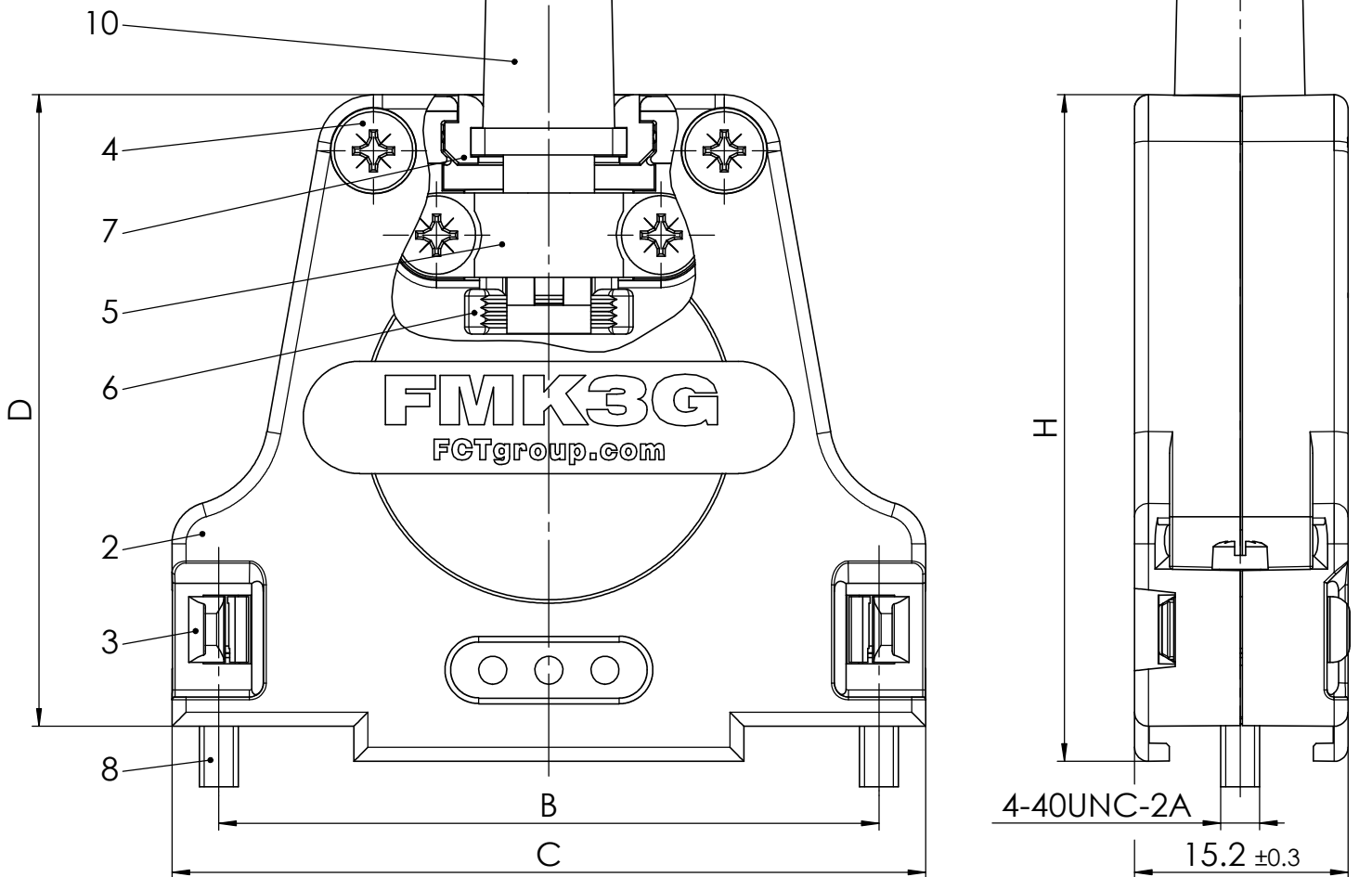
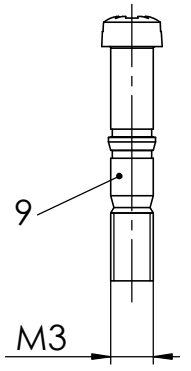


reverse side  
1:1

RoHS compliant  
by exemption

Packing unit on supplement AM0665

max. torque are 40 Ncm  
Part-No. 4, 5, 10 and 11 not mounted  
FMK1G-09S7-6191 with Part-No. 6 alternatively  
in Zinc die-cast, tin plated  
FMK1G-09S7-6191 without Part-No. 7



No.	St.	Part	Type Description/Material	Surface plating/Colour/Class
11	xx	Crimp contact	FK20SL-02V	0.2µm Au / AWG 20-24
10	1	Rubber bushing	TPE	black
9	2	Locking screw	FVS1/5-K1163 M3 / Steel	nickel plated
8	2	Locking screw	FVS1/5-K1163 4-40 / Steel	nickel plated
7	0/2	Cable reduction plate	Zinc die-cast	nickel plated
6	1	Strain relief	ABS	nickel plated
5	1	Cable clamp	Steel	tin plated
4	4	Screw	Case hardened steel	zinc plated
3	2	Catch spring	PEI	black
2	1	Hood	FMKyG / Zinc die-cast	nickel plated
1	1	D-Sub Crimp connector	FLxxS7-K121	

THIS DRAWING CONTAINS INFORMATION THAT IS PROPRIETARY TO MOLEX ELECTRONIC TECHNOLOGIES, LLC AND SHOULD NOT BE USED WITHOUT WRITTEN PERMISSION

SYMBOLS	DIMENSION UNITS mm	SCALE 2:1	MEASUREMENTS WITHOUT TOLERANCE ACC. TO ISO 2768-m	<b>molex</b>	
▽ = 0 ▽ = 0 ▽ = 0 ▽ = 0 ▽ = 0 ▽ = 0 ▽ = 0 ▽ = 0 ▽ = 0 ▽ = 0					
			CURRENT REVISION	PRODUCT CUSTOMER DRAWING	
			DRWN: DRAWN BY ameyerrichte 24-03-2021	FCT Hood Connector Set	
			APPR: APPR BY hstanisch 15-04-2021	MATERIAL NUMBER	
			INITIAL REVISION	REVISION	
			DRWN: DRAWN BY ameyerrichte 24-03-2021	see table	
			APPR: APPR BY hstanisch 15-04-2021	1	
			REPLACEMENT FOR:	DOCUMENT NUMBER	SHEET NUMBER
			THIRD ANGLE PROJECTION	FMKyG-xxS7-6191	1 OF 1
			DRAWING	CUSTOMER	
			A3-SIZE	GENERAL MARKET	

COMMENT: ALL RIGHTS ARE RESERVED BY US FOR THIS DRAWING. WITHOUT OUR PRIOR CONSENT, IT MAY NEITHER BE DUPLICATED NOR MADE AVAILABLE TO A THIRD PARTY. AND IT ALSO MAY NOT BE IMPROPERLY USED BY THE RECEIVER, OR A THIRD PARTY.