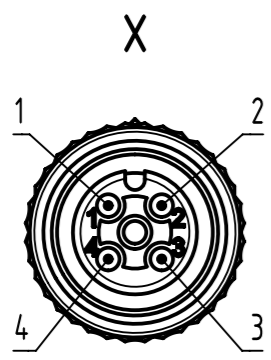
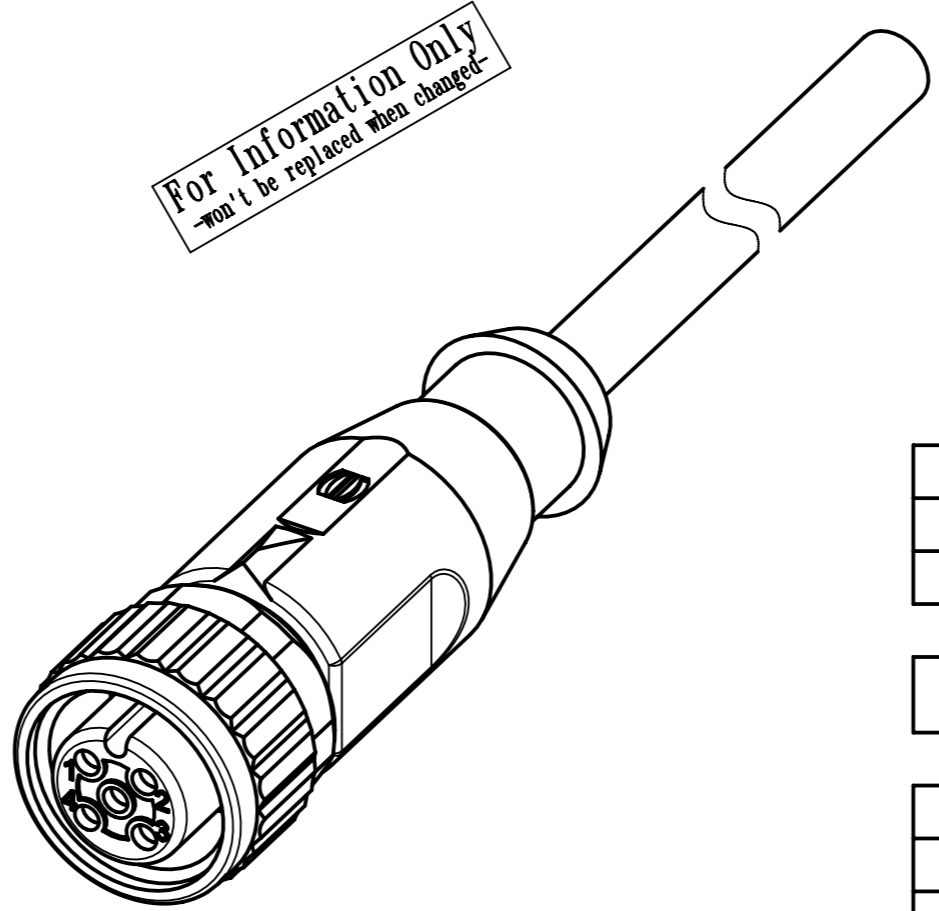


M12 A-coded 4-poles, female straight connector



- Loading-Plan:
- 1 — brown
  - 2 — white
  - 3 — blue
  - 4 — black

- Protection level: IP67  
 - Temperature range: -25°C ... +80°C



length in "1m" step	40	XXX=400
	39	XXX=390
	.	.
	12	XXX=120
length in "0,1m" step	11	XXX=110
	10	XXX=100
	9,9	XXX=099
	9,8	XXX=098
	.	.
	0,4	XXX=004
	0,3	XXX=003
	0,2	XXX=002
	0,1	XXX=001
Step	a [m]	XXX

4,0 to 40	+1%
0,1 to 3,9	+0,04
a [m]	Tolerance

Part no.	213485004XXXXX
----------	----------------

Type of cable	XX
PVC grey, 4x0,34mm <sup>2</sup>	XX=84
PUR black, 4x0,34mm <sup>2</sup>	XX=91

	All rights reserved		Scale 2:1		Free size tol.		Ref.	
	Department EC PD - RO		Created by TAMAS	Inspected by	Standardisation	Date 2014-05-23	State Checked Out	
HARTING Electronics GmbH		Title M12 A-coded Cable Assembly				Doc-Key / ECM-Nr. 100578831/UGD/009/A		Page 1/1
D-32339 Espelkamp		Type TB	Number 213485004XXXXX			Rev. A		