

## Features:

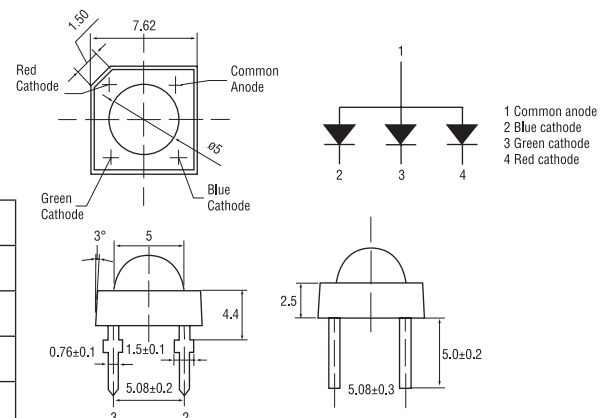
- High luminous output
- Common anode
- Superior weather-resistance
- Water clear lens, 5mm diameter



## Applications

- Industrial
- Consumer
- Audio

## Outline dimensions:

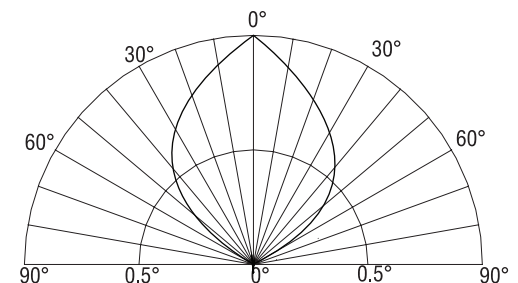


## Absolute maximum rating (Ta=25°C)

Item	Symbol	Value	Unit
DC Forward current (Red)	$I_F$	50	mA
DC Forward current (Green/Blue)	$I_F$	30	mA
Pulse forward current* (Red)	$I_{FP}$	100	mA
Pulse forward current* (Green/Blue)	$I_{FP}$	50	mA
Reverse voltage	$V_R$	5	V
Power dissipation	$P_D$	120	mW
Operating temperature	$T_{opr}$	-30 to +80	°C
Storage temperature	$T_{stg}$	-30 to +100	°C
Lead soldering temperature	$T_{sol}$	260°C/3 sec	-

\* Pulse width max. 10ms. Duty ratio max. 1/10

## Directivity:



## Electrical - Optical characteristics (Ta=25°C)

Item	Symbol	Condition	Min.	Typ.	Max.	Unit
DC Forward voltage	$V_F$ (R)	$I_F=20mA$	1.8	2.0	2.4	V
	$V_F$ (B/G)	$I_F=20mA$	2.8	3.2	3.6	V
DC Reverse current	$I_R$	$V_R=5V$	-	-	10	μA
Dominant wavelength	$\lambda_D$ (Red)	$I_F=20mA$	620	625	630	nm
	$\lambda_D$ (Green)	$I_F=20mA$	520	525	530	nm
	$\lambda_D$ (Blue)	$I_F=20mA$	465	470	475	nm
Luminous intensity	$I_v$ (Red)	$I_F=20mA$	2180	3000	-	mcd
	$I_v$ (Green)	$I_F=20mA$	3500	4200	-	mcd
	$I_v$ (Blue)	$I_F=20mA$	1560	2180	-	mcd
50% Power angle	$2\theta_{1/2}$	$I_F=20mA$	-	100	-	deg